

# FANS DATA

130

ORIGINAL

TYPE	AIRFLOW DIRECTION 'A' or 'V'	NOMINAL VOLTAGE (V)	FREQUENCY (Hz)	MAXIMUM AIRFLOW (m <sup>3</sup> /h)	SPEED (RPM)	POWER INPUT (WATTS)	CURRENT CONSUMPTION (A)	SOUND LEVEL (dBA)	BEARINGS B = Ball S = Sleeve	CONNECTION L = Lead P = Pins	MAXIMUM AMBIENT TEMPERATURE °C	
											50Hz	60Hz
W2S130-AA03-01	V	220	50 60	350 395	2760 3030	40 42	0.25 0.26	49 52	B	L	65	75
W2S130-AA25-01	V	115	50 60	350 395	2800 3200	40 39	0.53 0.49	49 52	B	L	65	75
A2S130-AA03-01	V	220	50 60	350 395	2760 3030	40 42	0.25 0.26	49 52	B	L	65	75
A2S130-AA25-01	V	115	50 60	350 395	2800 3200	40 39	0.53 0.49	49 52	B	L	65	75

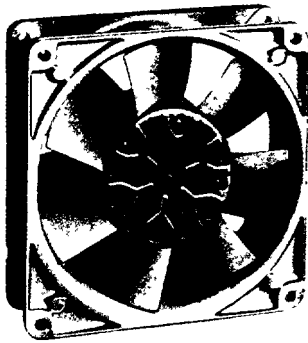
142

W2E142-BB01-01	V	220	50 60	340 400	2800 3300	26 26	0.13 0.12	55 60	B	P L	65	70
W2E142-BB01-09												
W2E142-BB05-01	V	115	50 60	340 400	2850 3300	26 26	0.26 0.26	55 60	B	P L	55	70
W2E142-BB05-09												
W2E142-CC15-16	V	220	50 60	300 325	2300 2500	14 16	0.07 0.08	52 54	B	P	75	75
W2E142-CC13-16	V	115	50 60	300 325	2350 2650	14 16	0.13 0.14	52 54	B	P	75	75
A2E142-BB01-01	V	220	50 60	340 400	2800 3300	26 26	0.13 0.12	55 60	B	L	65	75
A2E142-BB05-01	V	115	50 60	340 400	2850 3300	26 26	0.26 0.26	55 60	B	L	55	70
A2E142-CC15-16	V	220	50 60	300 325	2300 2550	14 16	0.07 0.08	52 54	B	L	75	75
A2E142-CC13-16	V	115	50 60	300 325	2350 2650	14 16	0.13 0.14	52 54	B	L	75	75

143

W2E143-AA09-01	V	220	50 60	400 450	2800 3200	20 24	0.096 0.115	53 57	B	P L	70	70
W2E143-AA09-09												
W2E143-AA15-01	V	115	50 60	400 450	2800 3200	22 25	0.02 0.24	53 57	B	P L	70	70
W2E143-AA15-09												
W2S143-AA04-01	V	220	50 60	335 330	2400 2350	33 33	0.2 0.2	47 50	B	P L	50	50
W2S143-AA04-09												
W2S143-AA08-01	V	115	50 60	335 330	2400 2350	35 35	0.45 0.42	47 50	B	P L	50	50
W2S143-AA08-09												
A2E143-AA09-01	V	220	50 60	400 450	2800 3200	20 24	0.096 0.115	53 57	B	L	70	70
A2E143-AA15-01	V	115	50 60	400 450	2800 3200	22 25	0.2 0.24	53 57	B	L	70	70
A2S143-AA04-01	V	220	50 60	335 330	2400 2350	33 33	0.2 0.2	47 50	B	L	50	50
A2S143-AA08-01	V	115	50 60	335 330	2400 2350	35 35	0.45 0.42	47 50	B	L	50	50

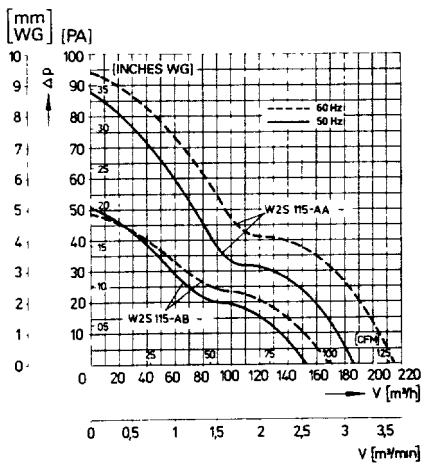
## W2S 115 AA,AB



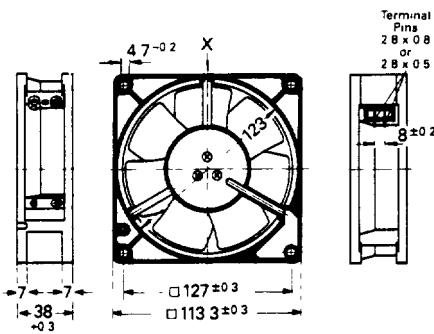
**Lead length** : 270mm  
from housing

**Approvals** : UL.CSA.VDE

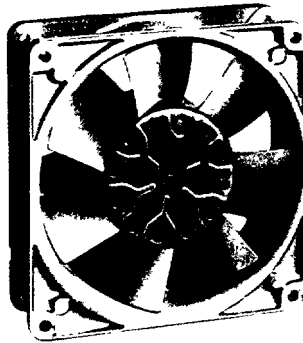
**Construction** : All Metal



**AIRFLOW DIRECTION:** 'V' BLOWING OVER STRUTS



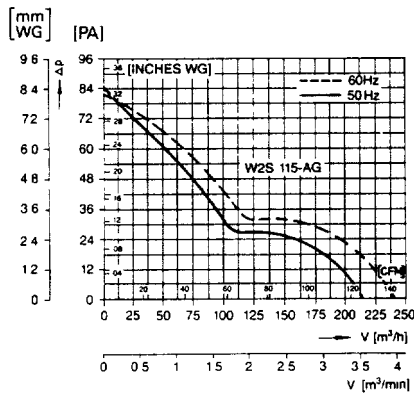
## W2S 115 AG



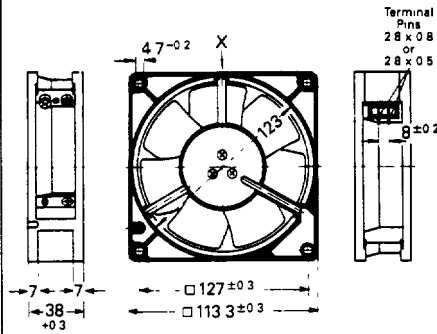
**Lead length** : 270mm  
from housing

**Approvals** : UL.CSA.VDE

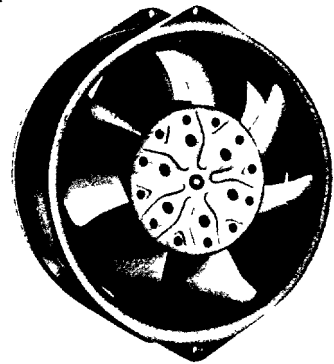
**Construction** : All Metal



**AIRFLOW DIRECTION:** 'V' BLOWING OVER STRUTS



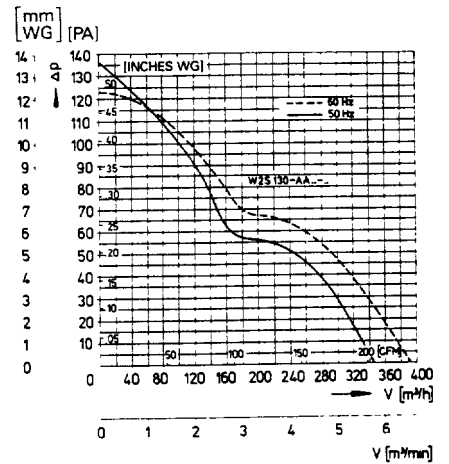
## W2S 130 AA



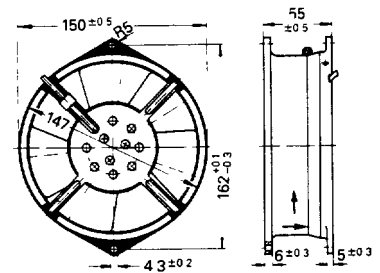
**Lead length** : 330mm  
from housing

**Approvals** : UL.CSA.VDE

**Construction** : All Metal

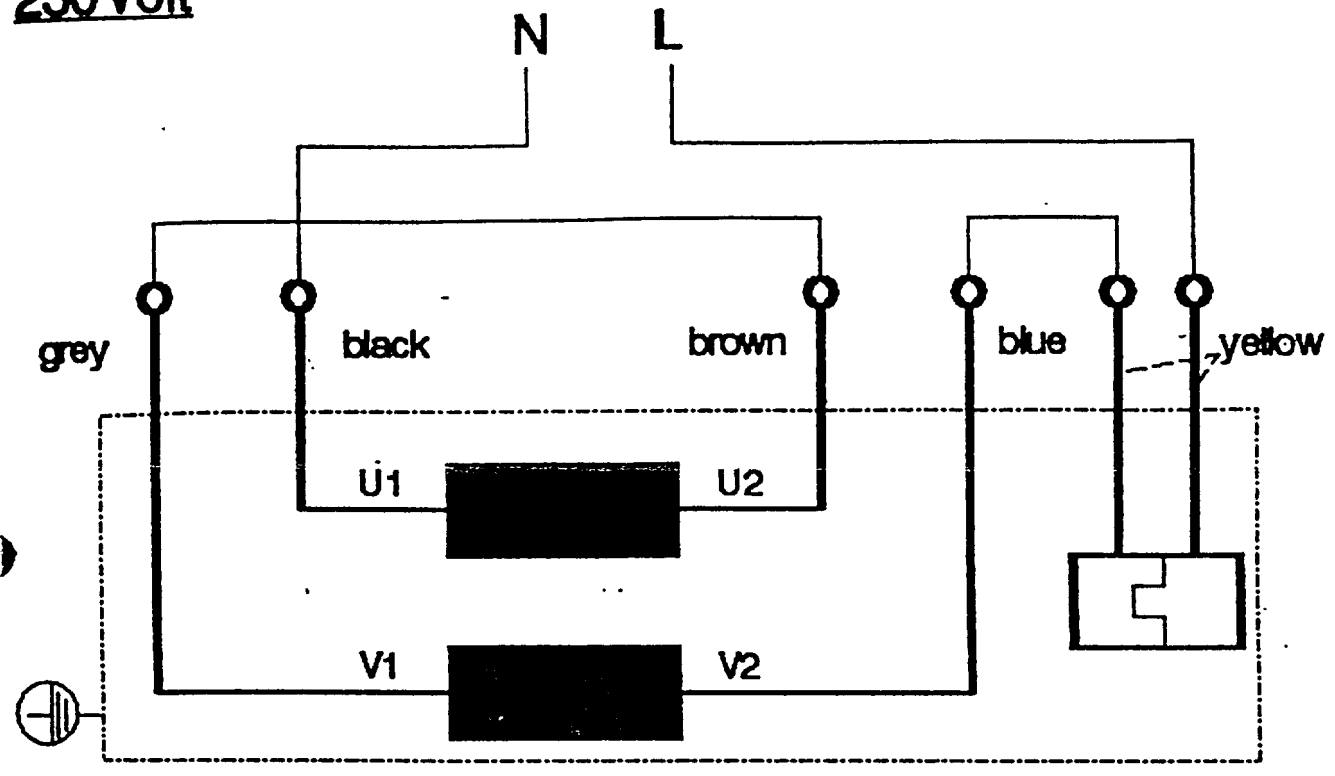


**AIRFLOW DIRECTION:** 'V' BLOWING OVER STRUTS



# W2S130-AA03-49 : CONNECTION DIAGRAMS

230 Volt



115 Volt

