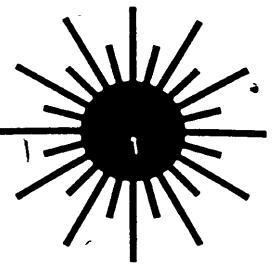


942-546

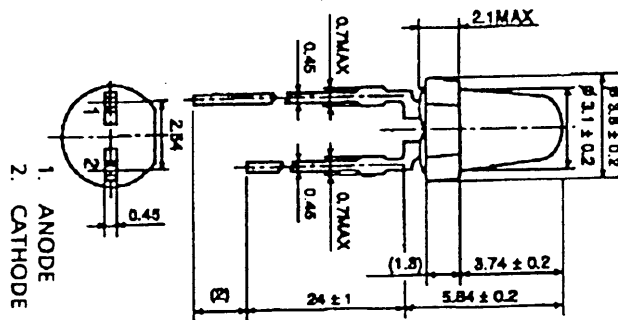


MARL OPTOSOURCE

Ulverston, Cumbria, LA12 7RY, England.
 Tel: +44 (01229) 582430 Fax: +44 (01229) 585155 EMAIL: 100666.2154@COMPUSERVE.COM

Discrete LED Components

3 mm High Brightness LED



ORDERING INFORMATION AND TECHNICAL CHARACTERISTICS (Ta = 25°C)

ORDER CODE	COLOUR	LENS EPOXY	WAVE LENGTH λp	LUMINOUS INTENSITY Iv @ Iopr	FORWARD CURRENT Iopr	VIEWING ANGLE 2θ1/2	TYP FWD VOLTAGE Vf @ Iopr	MAX FWD VOLTAGE Vt @ Iopr	OPERATING TEMP Topr	STORAGE TEMP Tstg
100041	YELLOW	Water Clear	590	1530-7360	20	16	2.1	2.5	-30 to +85	-40 to +120
			nm	mcd	mA	deg	V	V	°C	°C

Mean Time Between Failure 100,000 hours