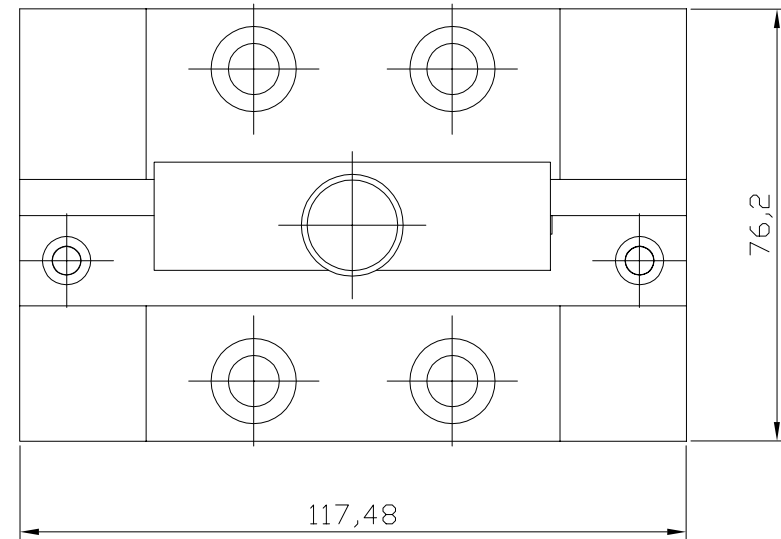
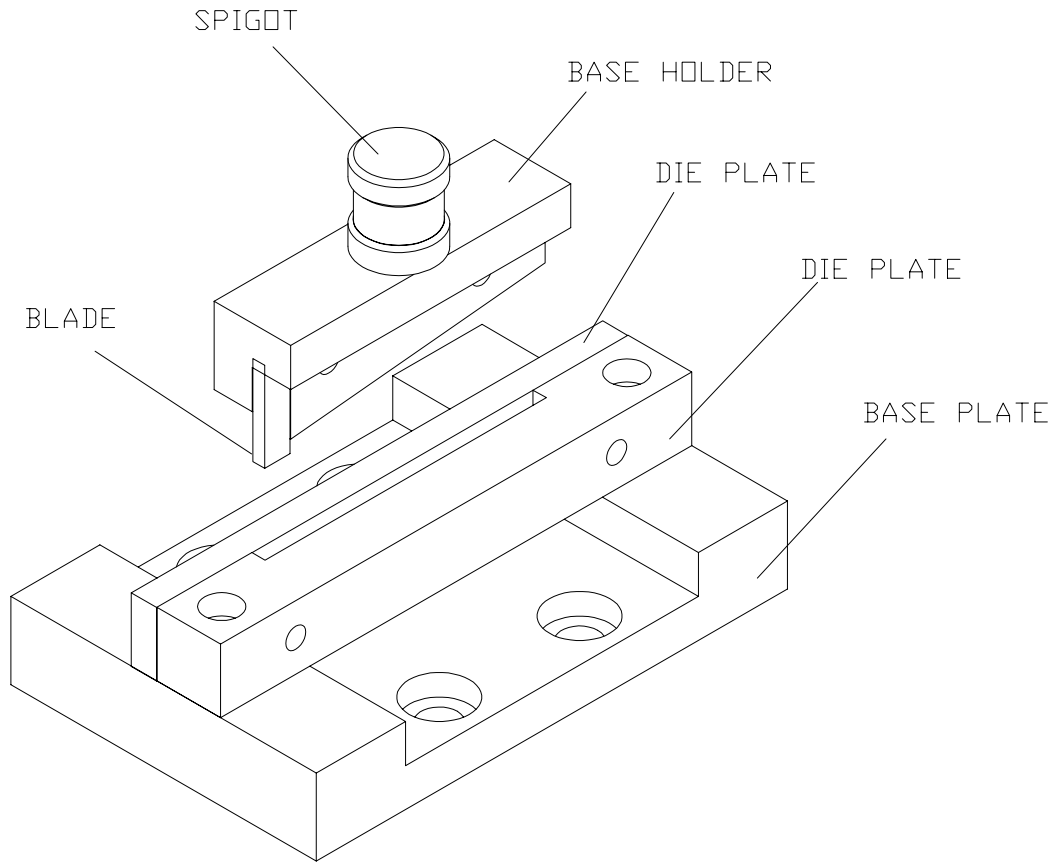


A 3 x 70mm slitting tool which is used for accurately guillotine and slitting products without material distortion.

A toe guide is built into the blade enabling a precise continuous cutting action.

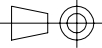
Material	Mild Steel
Blade Holder	Gauge Plate
Blade	Gauge Plate
Die Plates	Gauge Plate
Base Plate	Bright Mild Steel
Spigot	Gauge Plate



DrgNo 901-0070

TITLE SLOT GUILLOTINE

ALL DIMENSIONS IN MM
ANGLES IN DECIMAL DEGREES



ISSUE 1

GENERAL SPECIFICATION
FOR 901-0070

CUSTOMER

FILTER REF

Aprvd Date 10/04/03

Aprvd By MC

Drwn by BFS

Scale: NTS

Sheet 1 / 1