

■ ACCESSORY CROSS REFERENCE LIST

Use the following tables to cross reference accessories and their applicable timers and counters.

Product type	Description	Applicable timers	Applicable counters	Part number
Sockets	8-pin round, track mounting	H3CR-A8, H3CR-F8, H3CR-H8, H3CR-8H, H3CA-8, H5CR-L, H5CR-LS, H5CN-X□N, H5CN-Y□N, H5CN-X□NS, H5CX-L8□□□, H2C-8, H2C-8R	H7CR-8, H7CR-8S, H7CR-84, H7CN-XLN, H7CN-XHN, H7CN-YLN, H7CN-YHN, H7CN-ALN, H7CN-AHN, H7CN-BLN, H7CN-BHN, H7CN-XHNS, H7CN-YHNS	P2CF-08
	8-pin round, track mount w/ finger safe terminals (VDE)			P2CF-08-E
	8-pin, back mounting for use with Y92F-30 mounting adapter	H3CR-A8, H3CR-F8, H3CR-H8, H3CA-8H, H3CA-8, H3G, H5CR-L, H5CR-LS, H5CN-X□N, H5CN-Y□N, H5CN-X□NS, H5CX-L8□□□, H2C-8, H2C-8R		P3G-08
	11-pin, back mounting for use with Y92F-30 mounting adapter	H3CR-A, H3CR-AP, H3CR-AS, H3CA-A, H3CR-F, H3CR-H, H5CL-A, H5CL-AS, H5CN-X□NM, H5CX-A11□□□	H7CR-11, H7CR-11S, H7CL-A, H7CL-AD, H7CL-AS, H7CL-ADS, H7CN-XLNM, H7CN-XHNM, H7CN-YLNM, H7CN-YHNM, H7CX-A11□□, H7CX-A114□□, H8CA-S	P3GA-11
	11-pin round, track-mounting			P2CF-11
	11-pin round, track mount w/ finger safe terminals (VDE)			P2CF-11-E
	Track mounting/front connecting socket (5-pin spade)	H3RN-1, H3RN-11	—	P2RF-05-E
	Track mounting/front connecting socket (8-pin spade)	H3RN-2, H3RN-21	—	P2RF-08-E
	Track mounting socket with molded standoff ring	H3G	—	PF083A-E
	Track mounting socket	H3G, H2C-8, H2C-8R	—	PF085A
	Track mounting/front connecting socket (8-pin spade)	H3YN-2, H3YN-21	—	PYF08A-E
	Track mounting/front connecting socket (14-pin spade)	H3YN-4, H3YN-41, H3YN-4-Z, H3YN-41-Z	—	PYF14A-E
	Solder terminal socket (8-pin spade)	H3YN-2, H3YN-21	—	PY08
	Solder terminal socket (14-pin spade)	H3YN-4, H3YN-41, H3YN-4-Z, H3YN-41-Z	—	PY14
	Wire-wrap terminal socket (8-pin spade)	H3YN-2, H3YN-21	—	PY08QN(2)
	Wire-wrap terminal socket (14-pin spade)	H3YN-4, H3YN-41, H3YN-4-Z, H3YN-41-Z	—	PY14QN(2)
	PC terminal socket (8-pin spade)	H3YN-2, H3YN-21	—	PY08-02
	PC terminal socket (14-pin spade)	H3YN-4, H3YN-41, H3YN-4-Z, H3YN-41-Z	—	PY14-02

Product type	Description	Applicable timers	Applicable counters	Part number
Terminal covers	Terminal cover for P3G sockets (VDE0106/P100)	H3CR-A8, H3CR-F8, H3CR-H8, H3CR-A, H3CR-AP, H3CR-AS, H3CR-F, H3CR-H, H3CA-A, H3CA-8H, H3CA-8, H5CR-L, H5CR-LS, H3G, H5CN-X□N, H5CN-Y□N, H5CN-X□NS, H5CN-X□NM, H2C-8, H2C-8R, H5CL-A, H5CL-AS	H7CR-8, H7CR-8S, H7CR-84, H7CR-A, H7CR-B, H7CR-C, H7CR-S, H7CR-8, H7CR-8S, H7CR-84, H7CR-11, H7CR-11S, H7CN-XLN, H7CN-XHN, H7CN-YLN, H7CN-YHN, H7CN-ALN, H7CN-AHN, H7CN-BLN, H7CN-BHN, H7CN-XHNS, H7CN-YHNS, H7CN-XLNM, H7CN-XHNM, H7CN-YLNM, H7CN-YHNM, H8CA-S	Y92A-48G
	Terminal cover 1/16 DIN	H5CR-B, H5CR-BS, H5CR-S, H5CR-SS, H5CL-AD, H5CL-ADS	H7CR-A, H7CR-B, H7CR-C, H7CR-S, H7CL-AD, H7CL-ADS	Y92A-48T
	Terminal cover 72 mm x 72 mm	H5BR	H7BR	Y92A-72T

Product type	Description	Applicable timers	Applicable counters	Part number
Panel mounting adapters	Fits behind panel for side-by-side installation. Use P3G sockets.	H3CR-A8, H3CR-A, H3CR-AP, H3CR-AS, H3CR-F, H3CR-F8, H3CR-H8, H3CR-H, H3CA-A, H3CA-8H, H3CA-8, H5CR-L, H5CR-LS, H5CL-A, H5CL-AS, H5CL-AD, H5CL-ADS, H5CN-X□N, H5CN-Y□N, H5CN-X□NS, H5CN-X□NM, H5CX-L8□, H5CX-A11□, H5CX-A□, H2C-8, H2C-8R	H7CR-A, H7CR-B, H7CR-C, H7CR-S, H7CR-8, H7CR-8S, H7CR-84, H7CR-11, H7CR-11S, H7CL-A, H7CL-AD, H7CL-AS, H7CL-ADS, H7CN-XLN, H7CN-XHN, H7CN-YLN, H7CN-YHN, H7CN-ALN, H7CN-AHN, H7CN-BLN, H7CN-BHN, H7CN-XHNS, H7CN-YHNS, H7CN-XLNM, H7CN-XHNM, H7CN-YLNM, H7CN-YHNM, H7CX-A4□, H7CX-A□, H7CX-A11□, H7CX-A4W□, H7CX-AW□, H7CX-AU□, H8CA-S	Y92F-30
	Flush mounting adapter	H3YN	—	Y92F-78
	Mounting Bracket (order two)	H5AN	H7AN	Y92H-5
	Fits behind panel for side-by-side installation. Use P3G sockets. (only for H3G timers)	H3G	—	Y92F-31
	Flush mounting adapter 88 mm x 58 mm x 63.5 mm	H3CR-H8, H3CR-H, H3CA-A, H3CA-8H, H3CA-8, H2C-8, H2C-8R	—	Y92F-70
	Flush mounting adapter 58 mm x 50 mm x 63.5 mm			Y92F-71
	Flush mounting adapter 88 mm x 58 mm x 66 mm	H3CR-A8, H3CR-A, H3CR-F8, H3CR-F	—	Y92F-73
	Flush mounting adapter 58 mm x 50 mm x 66 mm			Y92F-74
	Fits behind panel for side-by-side installation.	—	H7GP	Y92F-32

Product type	Description	Applicable timers	Applicable counters	Part number
Panel mounting adapters	Fits behind panel for side-by-side installation	—	H7HP	Y92F-33
	Flush mounting adapter 26 mm x 45 mm	—	H7EC, H7ET, H7ER	Y92F-75
	Flush mounting adapter 24.8 mm x 48.8 mm			Y92F-77B
	Track mounting adapter	H5S-FB	—	Y92F-90

Product type	Description	Applicable timers	Applicable counters	Part number
Protective covers	Hard plastic cover protects against dust	H5CL, H5CX	H7CL, H7CX	Y92A-48
	Soft cover with mounting clips	H5CR-L, H5CR-B, H5CR-S, H5CR-LS, H5CR-BS, H5CR-SS, H5CL-A, H5CL-AS, H5CL-AD, H5CL-ADS, H5CX	H7CR-A, H7CR-B, H7CR-C, H7CR-S, H7CL-A, H7CL-AD, H7CL-AS, H7CL-ADS, H7CX	Y92A-48F1
	Hard plastic cover protects against dust, dirt and water	H3CR-A8, H3CR-A, H3CR-F8, H3CR-F, H3CR-H8, H3CR-H, H3CA-A, H3CA-8H, H3CA-8, H5CN-X□N, H5CN-Y□N, H5CN-X□NS, H5CN-X□NM, H2C-8, H2C-8R	H7CR-A, H7CR-B, H7CR-C, H7CR-S, H7CR-8, H7CR-8S, H7CR-84, H7CR-11, H7CR-11S, H7CN-XLN, H7CN-XHN, H7CN-YLN, H7CN-YHN, H7CN-ALN, H7CN-AHN, H7CN-BLN, H7CN-BHN, H7CN-XHNS, H7CN-YHNS, H7CN-XLNM, H7CN-XHNM, H7CN-YLNM, H7CN-YHNM	Y92A-48B
	Soft cover with mounting clips	H5BR	H7BR	Y92A-72F1
	Plastic front cover	H5AN	H7AN	H5AN COVER 0377762-0
	Hard plastic cover protects against dust	H5S-B	—	Y92A-72C
	Splash and tamper resistant, soft plastic	H3CA-A, H3CA-8H, H3CA-8, H5CN-X□N, H5CN-Y□N, H5CN-X□NS, H5CN-X□NM	H7CN-XLN, H7CN-XHN, H7CN-YLN, H7CN-YHN, H7CN-ALN, H7CN-AHN, H7CN-BLN, H7CN-BHN, H7CN-XHNS, H7CN-YHNS, H7CN-XLNM, H7CN-XHNM, H7CN-YLNM, H7CN-YHNM	Y92A-48D

Product type	Description	Applicable timers	Applicable counters	Part number
NEMA 4 covers	Waterproof front cover 1/16 DIN	H3CR-A8, H3CR-A, H3CR-F8, H3CR-F, H3CR-H8, H3CR-H, H3CA-A, H3CA-8H, H3CA-8, H3CR-A8, H3CR- H5CN-X□N, H5CN-Y□N, H5CN-X□NS, H5CN-X□NM, H5F-B	H7CR-A, H7CR-B, H7CR-C, H7CR-S, H7CR-8, H7CR-8S, H7CR-84, H7CR-11, H7CR-11S, H7CN-XLN, H7CN-XHN, H7CN-YLN, H7CN-YHN, H7CN-ALN, H7CN-AHN, H7CN-BLN, H7CN-BHN, H7CN-XHNS, H7CN-YHNS, H7CN-XLNM, H7CN-XHNM, H7CN-YLNM, H7CN-YHNM, H8CA-A	Y92A-48N
	Waterproof front cover 72 mm x 72 mm	H5BR, H5S-B	H7BR	Y92A-72N
	Waterproof front cover 1/4 DIN	H5L-A	—	Y92A-96N

Product type	Description	Applicable timers	Applicable counters	Part number
NEMA 4 gaskets	Rubber gasket	H5CL, H5CX	H7CL, H7CX	Y92S-29
		—	H7GP	Y92S-32
		—	H7HP	Y92S-33

Product type	Description	Applicable timers	Applicable counters	Part number
Colored panel covers	Light gray (Munsell No. 5Y7/1)	H3CR-A8, H3CR-A, H3CR-F8, H3CR-F, H3CR-H8, H3CR-H	—	Y92P-48GL
	Medium Gray (Munsell No. 5Y5/1)		—	Y92P-48GM
	Black (Munsell No. N1.5)		—	Y92P-48GB

Product type	Description	Applicable timers	Applicable counters	Part number
Time setting rings	Used to lock-in a single setting, can be used with Y92P panel covers	H3CR-A8, H3CR-A	—	Y92S-27
	Used to lock-in a setting range, can be used with Y92P panel covers		—	Y92S-28
	Use one or two to lock in settings	H2C-8, H2C-8R	—	Y92A-Y1

Product type	Description	Applicable timers	Applicable counters	Part number
Lock key	Pen-type lock key to lock and unlock front panel	H3DS	—	Y92S-38

Product type	Description	Applicable timers	Applicable counters	Part number
Hold clips	H2C hold down clips (1 pair)	H2C-8, H2C-8R	—	Y92H-2
	To be used with PYF08A-E and PYF14A-E (1 pair)	H3YN	—	Y92H-3
	To be used with PY08, PY08QN(2), PY08-02, PY14, PY14QN(2), PY14-02		—	Y92H-4
	H3G Hold down clips (1 pair)	H3G	—	Y92H-6

Product type	Description	Applicable timers	Applicable counters	Part number
Batteries	For memory backup	H5CN-□□□M	H7CN-□□□M	Y92S-20
			H7EC, H7ET, H7ER	Y92S-36

Product type	Description	Applicable timers	Applicable counters	Part number
Mounting tracks	0.5 m (1.64 ft) length, 7.3 mm depth	H3CA-FA, H3DE, H3DS, H5F-KB, H5L-A, H5S-FB	—	PFP-50N
	1 m (3.28 ft) length, 7.3 mm depth		—	PFP-100N
	1 m (3.28 ft) length, 16 mm depth		—	PFP-100N2

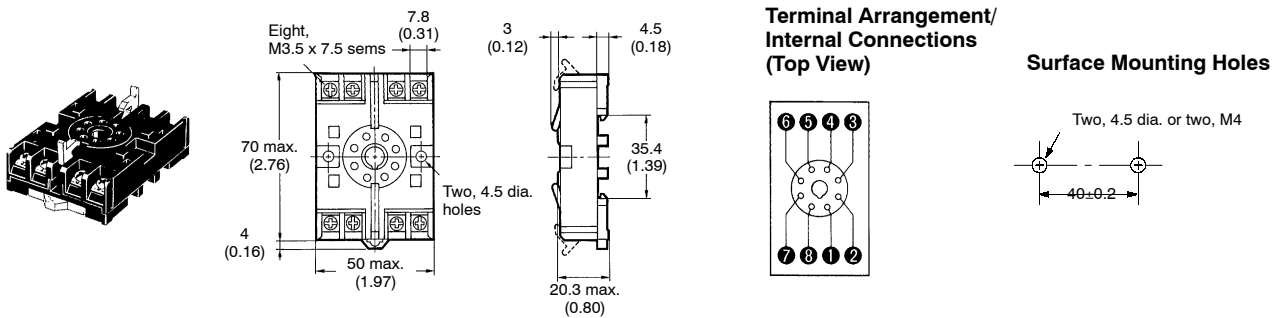
Product type	Description	Applicable timers	Applicable counters	Part number
Miscellaneous	Wire-wrap terminals	—	H7EC, H7ET, H7ER	Y92S-37
	End plate	—		PFP-M
	Spacer	—		PFP-S

Accessory Dimensions

Unit: mm (inch)

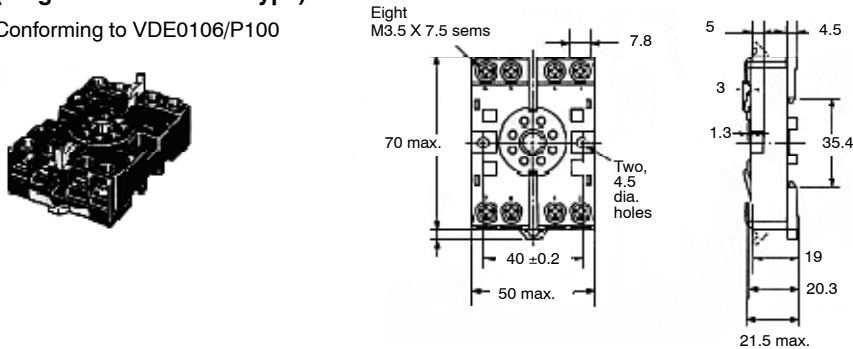
SOCKETS

P2CF-08 Track-Mounting/Front-Connecting Socket

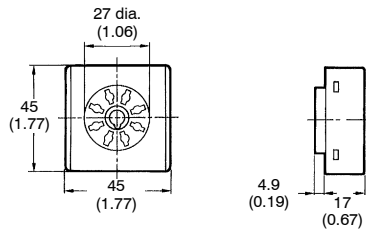
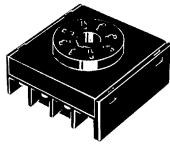


P2CF-08-E Track-Mounting Socket (Finger-Safe Terminal Type)

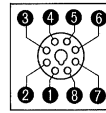
Conforming to VDE0106/P100



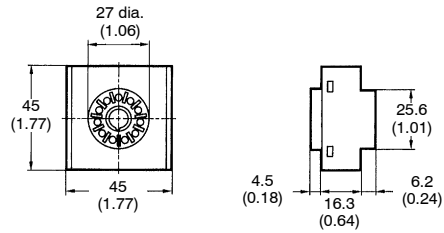
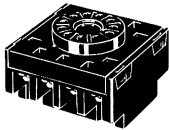
P3G-08 Back-Mounting socket



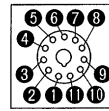
**Terminal Arrangement/
Internal Connections
(Bottom View)**



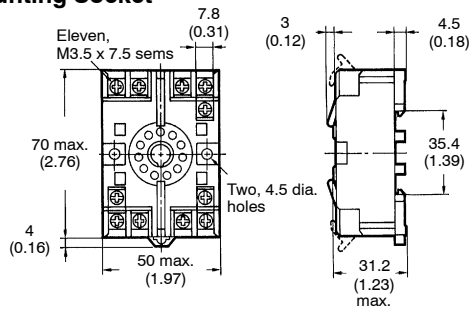
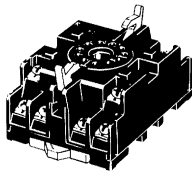
P3GA-11 Back-Mounting socket



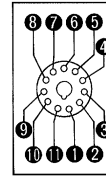
**Terminal Arrangement/
Internal Connections
(Bottom View)**



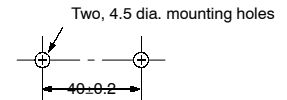
P2CF-11 Track-Mounting Socket



**Terminal Arrangement/
Internal Connections
(Top View)**

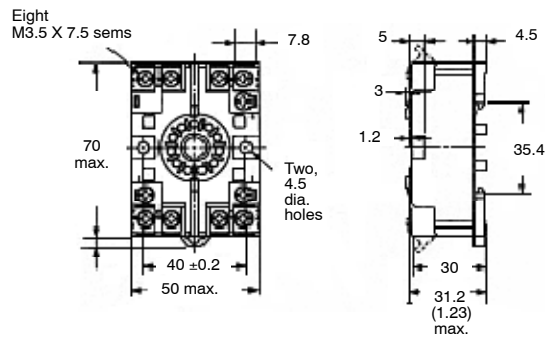


Surface Mounting Holes



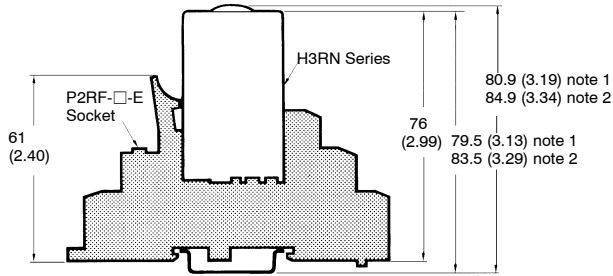
**P2CF-11-E Track-Mounting Socket
(Finger-Safe Terminal Type)**

Conforming to VDE0106/P100



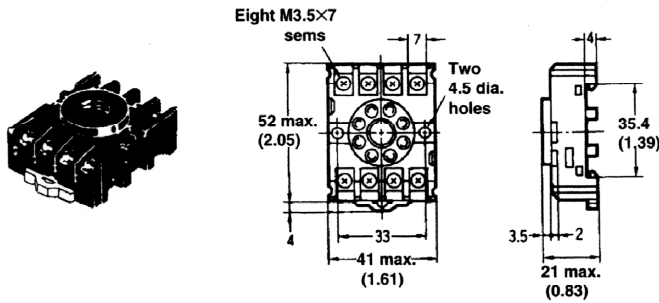
Unit: mm (inch)

P2RF-□-E Track-Mounting/Front-Connecting Socket

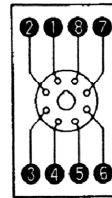


- Note:**
1. The value shown indicates the dimension for the P2RF-05-E with the PFP-□N Mounting Rail. The value is 71.5 mm (2.81) when using the PFP-N□2.
 2. This value indicates the dimension for the P2RF-08-E with the PFP-□N Mounting Rail. The value is 75.5 mm (2.97) when using the PFP-N□2.

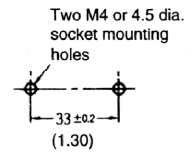
PF083A-E Track-Mounting Socket



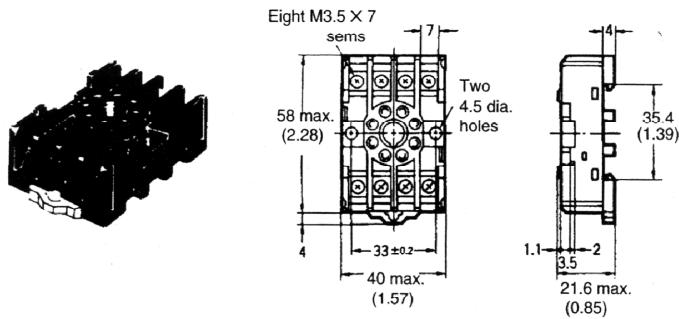
Terminal Arrangement (Top View)



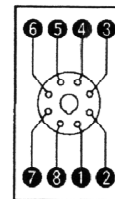
Mounting Holes



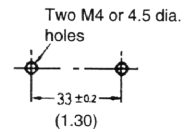
PF085A Track-Mounting Socket



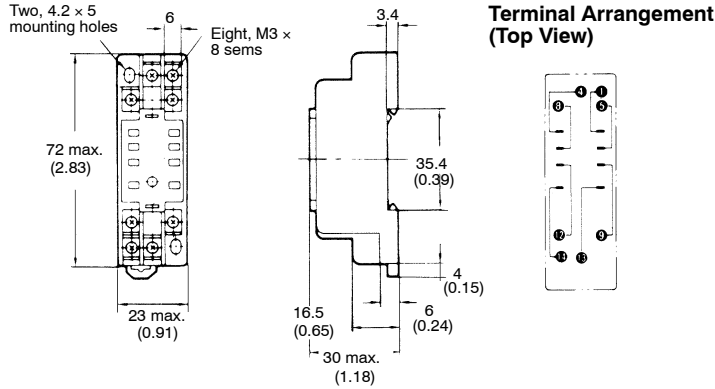
Terminal Arrangement (Top View)



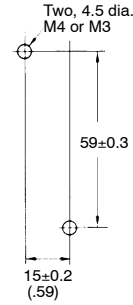
Mounting Holes



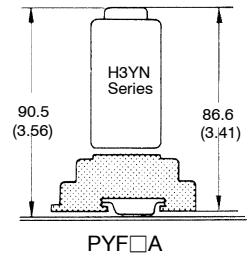
PYF08A-E Track-Mounting/Front-Connecting Sockets



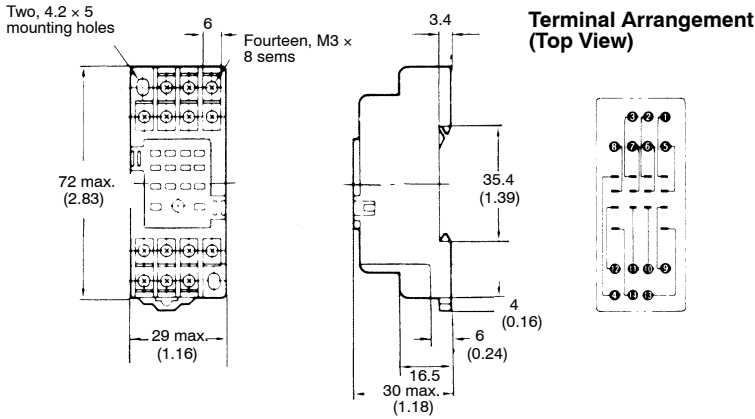
Mounting Holes



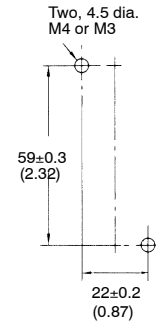
Mounting Height



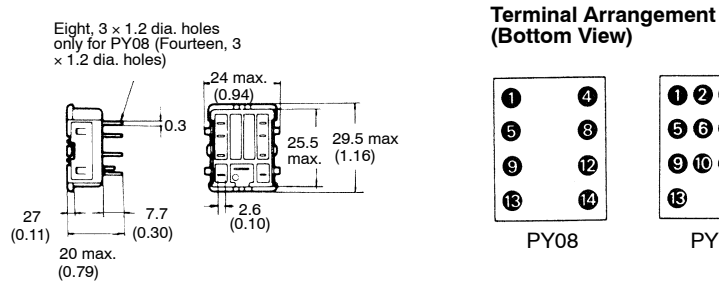
PYF-14A-E Track-Mounting/Front-Connecting Sockets



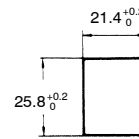
Mounting Holes



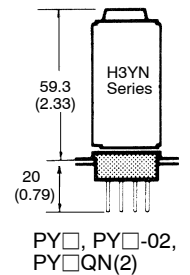
PY08, PY14 Back-Connecting Sockets



Panel Cutout

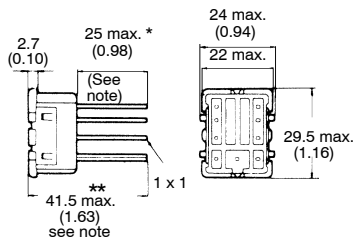


Mounting Height



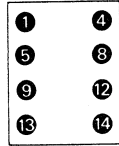
Unit: mm (inch)

**PY08QN, PY14QN PY08QN(2), PY14QN(2)
Solder Terminal Sockets**

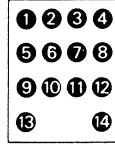


Note: With PY□QN(2)-(3), dimension * should read 20 max. (0.79) and dimension ** 36.5 max. (1.44)

**Terminal Arrangement
(Bottom View)**

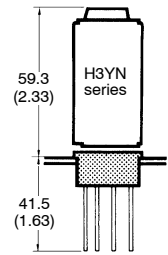


PY08QN
PY08QN(2)



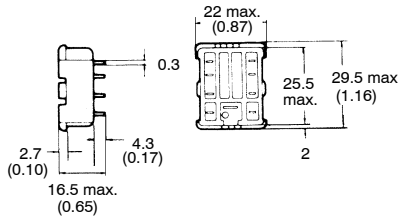
PY14QN
PY14QN(2)

Mounting Height

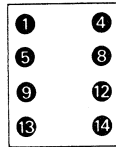


PY□ QN,
PY□QN(2)

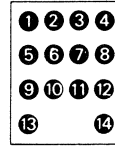
PY08-02, PY14-02 PC Terminal Sockets



**Terminal Arrangement
(Bottom View)**



PY08□-02

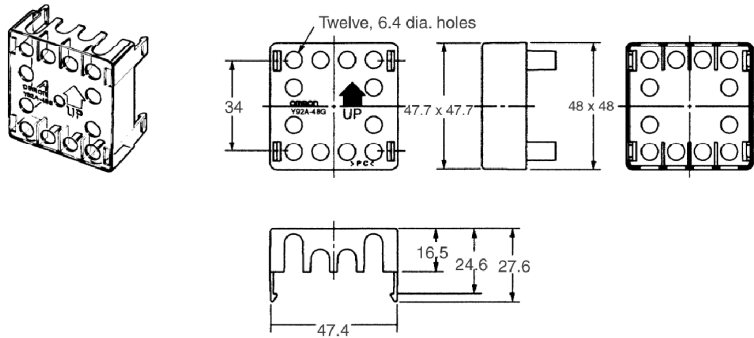


PY14□-02

■ TERMINAL COVERS

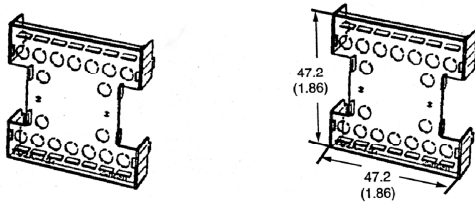
Y92A-48G Finger-Safe Terminal Cover for P3G(A)

Conforming to VDE0106/P100



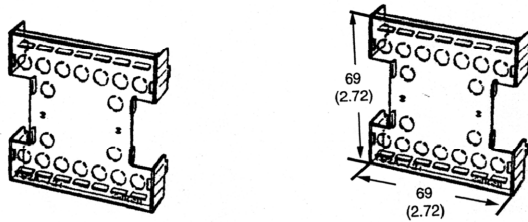
Y92A-48T Terminal Cover 1/16 DIN

The terminal cover protects wiring connections on the standard and short body models.



Y92A-72T Terminal Cover 72 mm x 72 mm

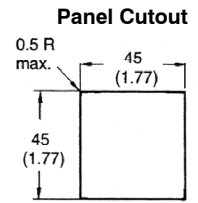
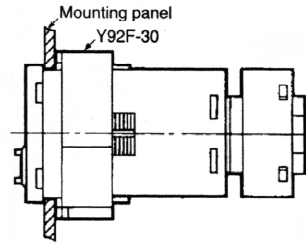
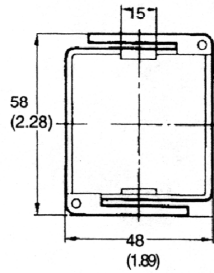
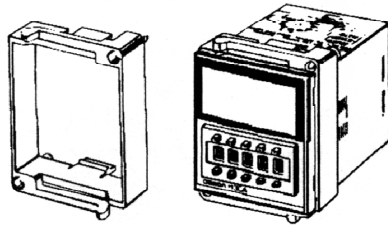
The terminal cover protects wiring connections.



Unit: mm (inch)

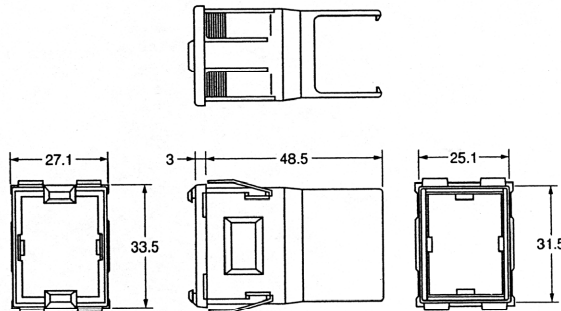
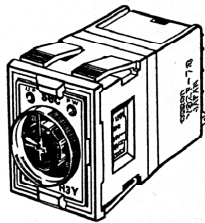
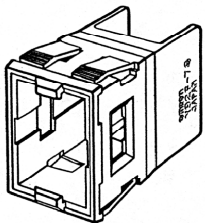
■ PANEL MOUNTING ADAPTORS

Y92F-30 Panel-Mounting Adapter

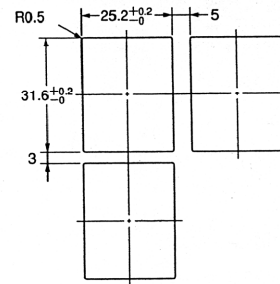


Note: The mounting panel thickness should be 1 to 3.2 mm.

Y92F-78 Flush-Mounting Adapter

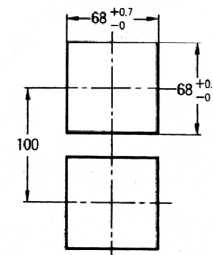
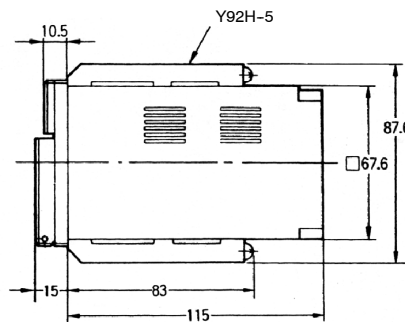
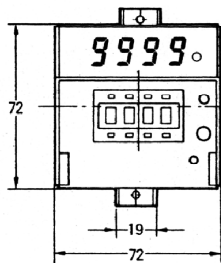
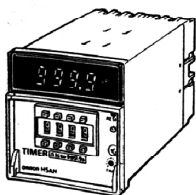


Panel Cutout

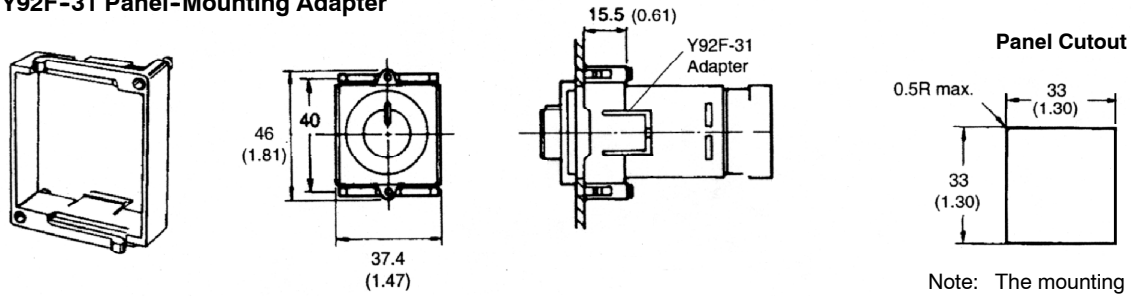


Note: The mounting panel thickness should be 1 to 3.2 mm.

Y92H-5 Mounting Bracket



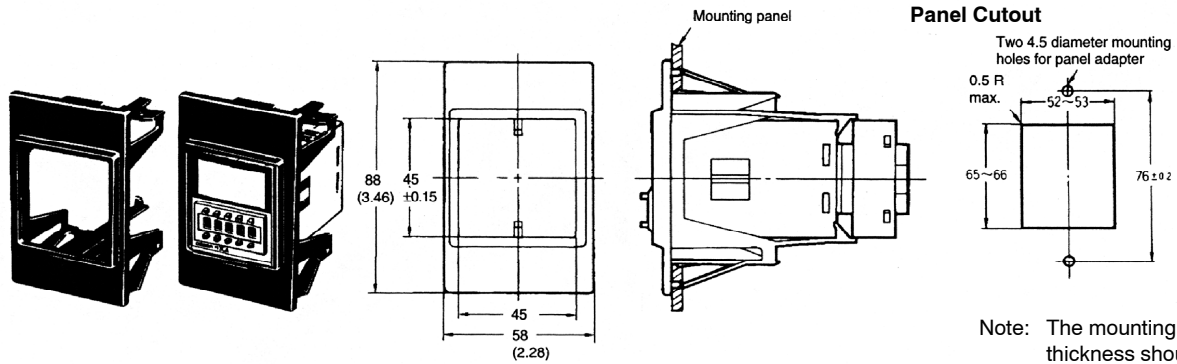
Y92F-31 Panel-Mounting Adapter



Note: The mounting panel thickness should be 1 to 3.2 mm.

Y92F-70 Panel-Mounting Adapter

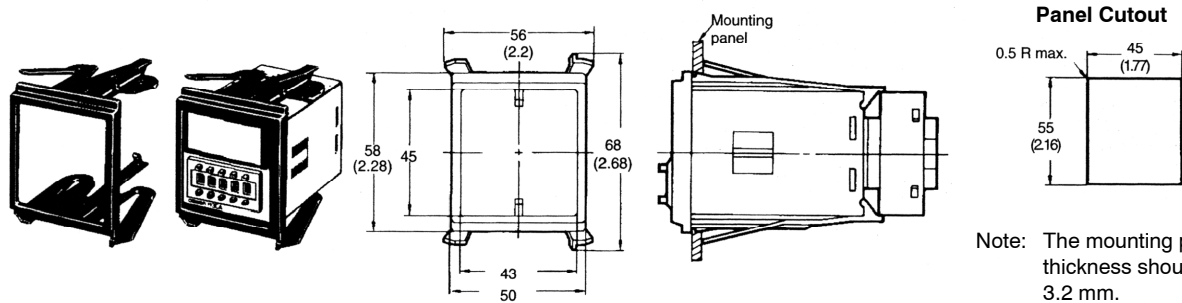
Charcoal gray panel adapter installs through panel front. Timer fits bezel, rear of timer clips to adapter. Use P3GA-11 or P3GA-08 sockets.



Note: The mounting panel thickness should be 1 to 3.2 mm.

Y92F-71 Panel-Mounting Adapter

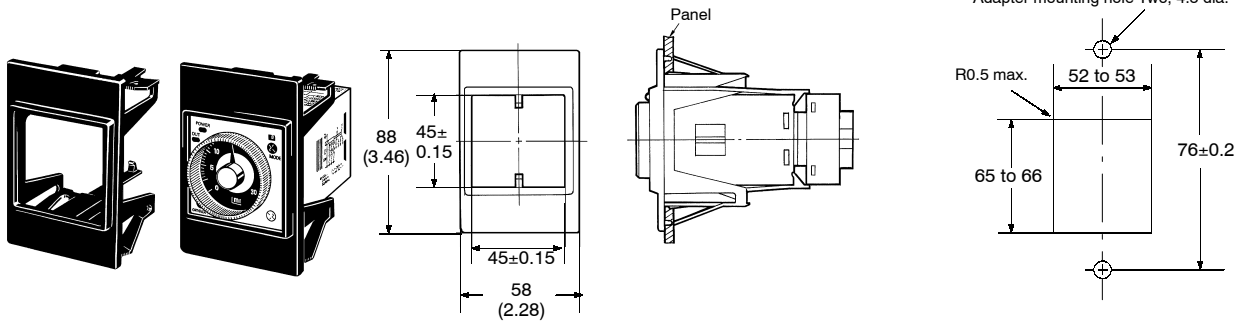
Charcoal gray panel adapter installs through panel front. Timer fits bezel, rear of timer clips to adapter. Use P3GA-11 or P3GA-08 sockets.



Note: The mounting panel thickness should be 1 to 3.2 mm.

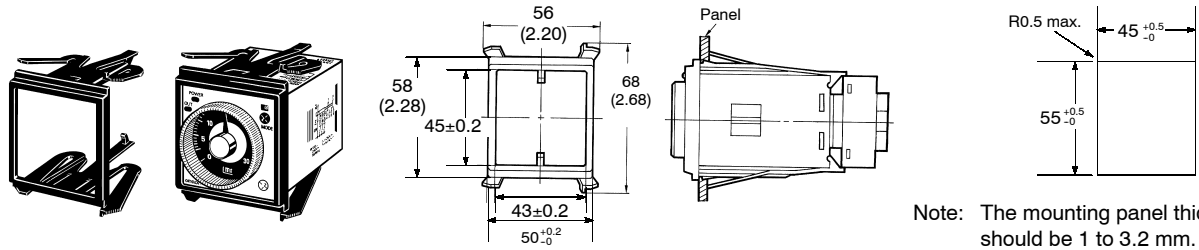
Unit: mm (inch)

Y92F-73 Panel-Mounting Adapter



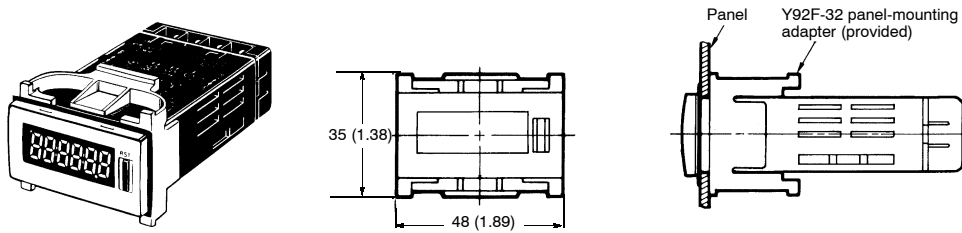
Note: The mounting panel thickness should be 1 to 3.2 mm.

Y92F-74 Panel-Mounting Adapter

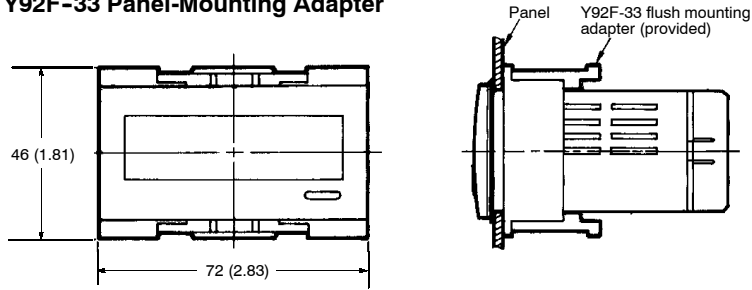


Note: The mounting panel thickness should be 1 to 3.2 mm.

Y92F-32 Panel-Mounting Adapter

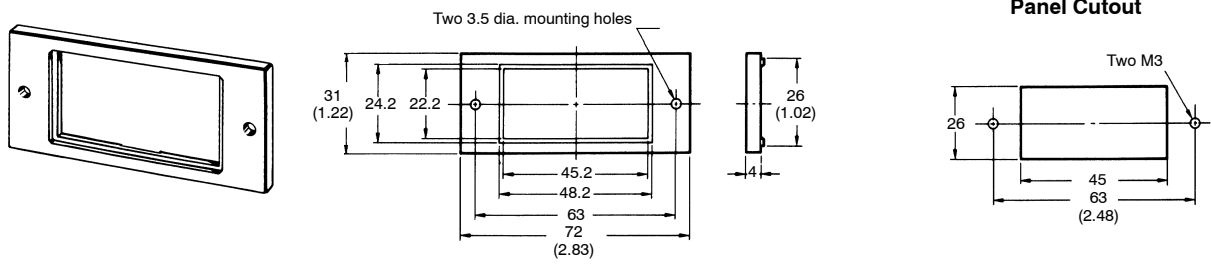


Y92F-33 Panel-Mounting Adapter



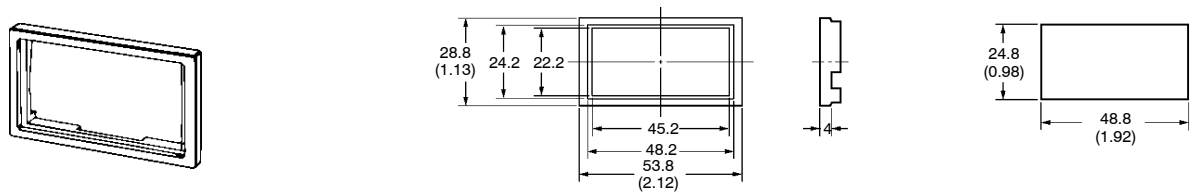
**Y92F-75 Flush Mounting Adapter
for 26 mm x 45 mm Rectangular Cutout**

Must be used with mounting bracket supplied with the Counter

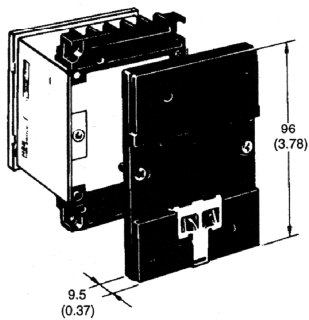


**Y92F-77B Flush Mounting Adapter
for 24.8 mm x 48.8 mm Rectangular Cutout**

Must be used with mounting bracket supplied with the Counter



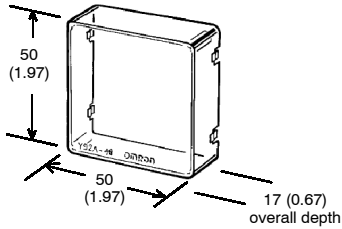
Y92F-90 Track Mounting Adapter



Unit: mm (inch)

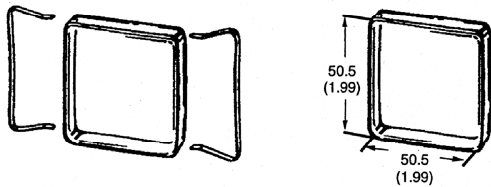
■ PROTECTIVE COVERS

Y92A-48 Hard Plastic Cover



Y92A-48F1 Soft Plastic Cover

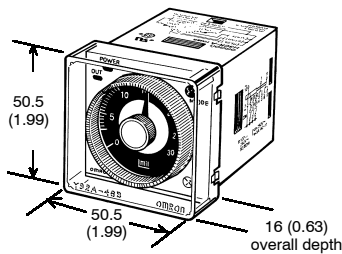
Two mounting clips help the soft plastic cover fit snugly over the front of the timer to protect against dirt and water. Timer settings can be changed when the cover is on. The cover is intended for use in areas where unusual service conditions do not exist.



Y92A-48B Hard Plastic Cover

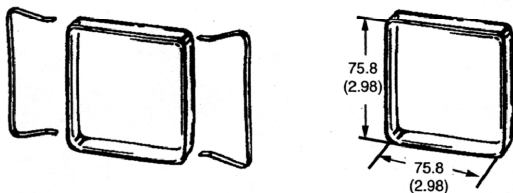
The protective cover protects the front panel, particularly the time setting section, against dust, dirt, and water. It also prevents the set value from being altered due to accidental contact with the time setting knob.

- Note:
1. The Y92A-48B Protective Cover is made of a hard plastic and therefore it must be removed to change the timer set value.
 2. The Protective Cover cannot be mounted if the Panel Cover (sold separately) is used on the Timer.
 3. When using a front cover for flush mounting, use the Y92F-30 Adapter. The Y92F-73 or Y92F-74 Flush Mounting Adapter cannot be used.

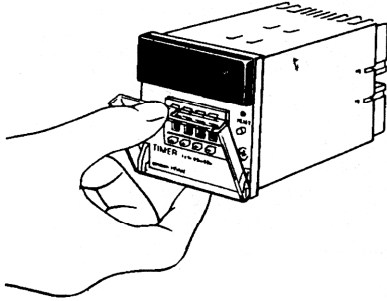


Y92A-72F1 Soft Plastic Cover

Two mounting clips help the soft plastic cover fit snugly over the front of the timer to protect against dirt and water. Timer settings can be changed when the cover is on. The cover is intended for use in areas where unusual service conditions do not exist.

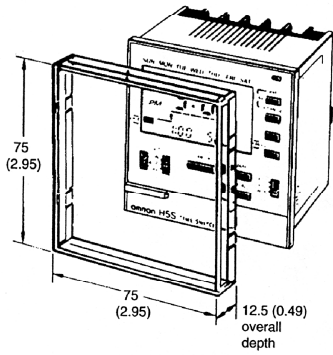


H5AN Cover 037762-0



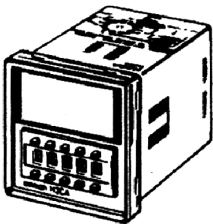
Y92A-72C Hard Plastic Cover

Hard plastic protective cover prevents accidental resetting. It also shields the front panel from dirt and water. The cover is intended for use in areas where unusual service conditions do not exist.



Y92A-48D Soft Plastic Cover

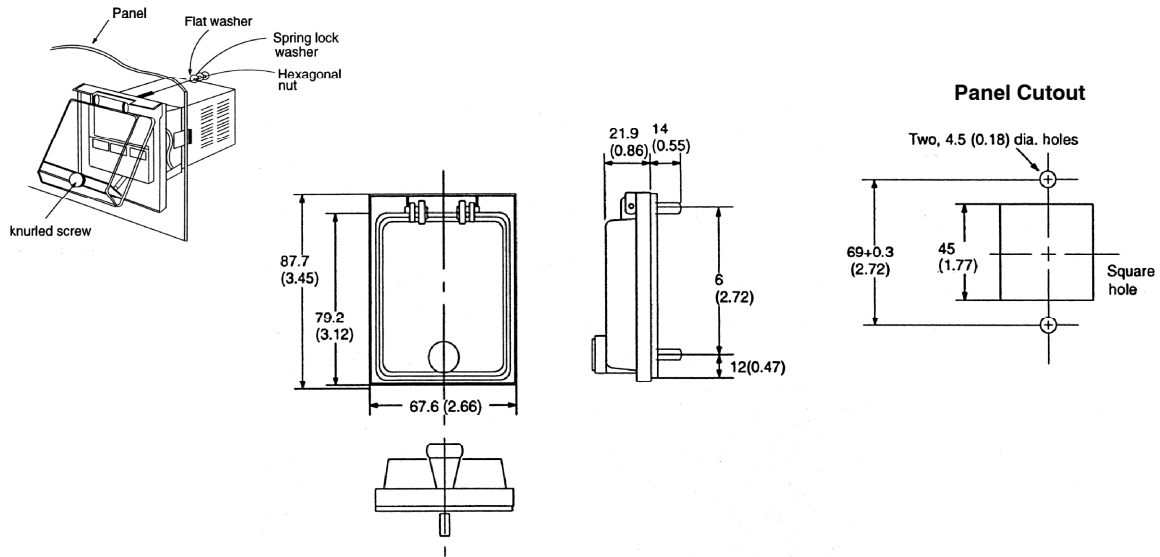
Soft plastic cover Y92A-48D snap onto the front of the timer to protect against dust and water. The soft plastic cover fits snugly over the front and allows settings to be changed. Covers are intended for use in areas where unusual service conditions do not exist.



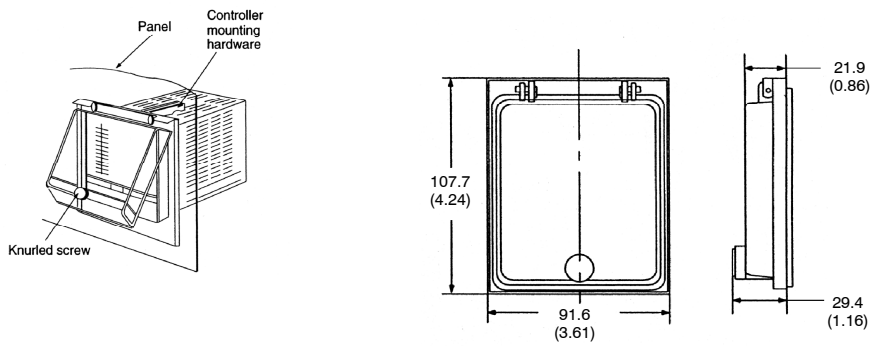
Unit: mm (inch)

■ NEMA 4 COVERS

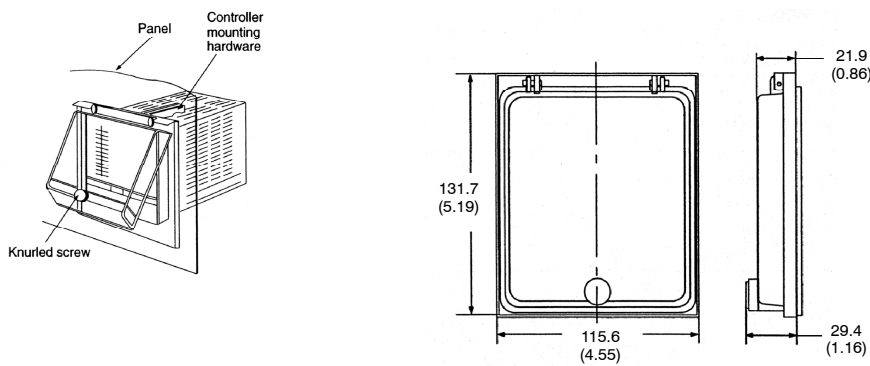
Y92A-48N Water Proof Front Cover



Y92A-72N Water Proof Front Cover

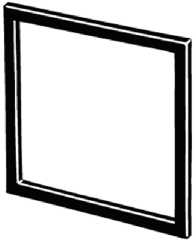


Y92A-96N Water Proof Front Cover

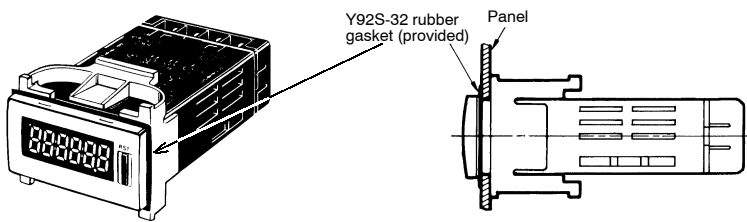


■ NEMA 4 GASKETS

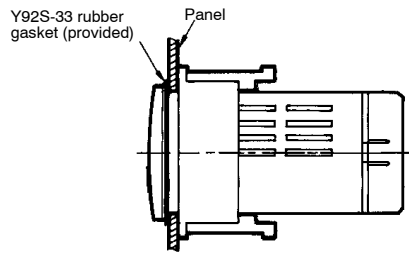
Y92S-29 Rubber Gasket



Y92S-32 Rubber Gasket

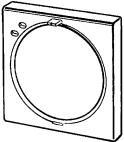


Y92S-33 Rubber Gasket

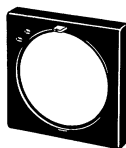


■ COLORED PANEL COVERS

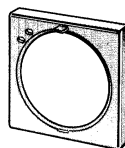
Y92P-48GL
Light Gray



Y92P-48GB
Black



Y92P-48GM
Medium Gray



■ TIME SETTING RINGS

Y92S-27
Time Setting A



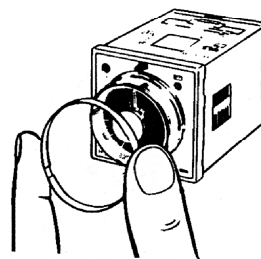
Y92S-28
Time Setting B



Y92S-28
Time Setting C



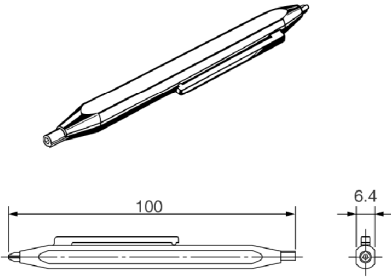
Y92A-Y1



Unit: mm (inch)

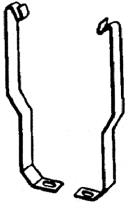
■ LOCK KEY

Y92S-38 Lock Key (For H3DS timer only)

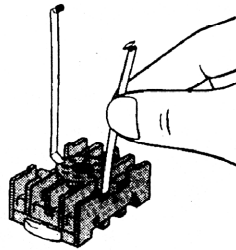


■ HOLD-DOWN CLIPS

Y92H-2



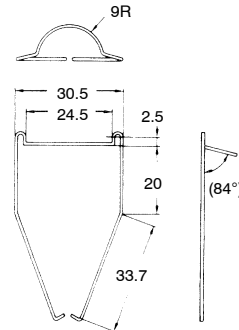
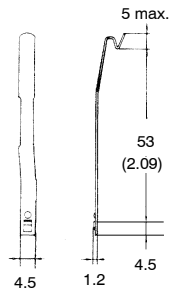
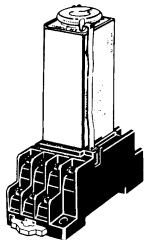
Use these clips with H2C-8 and H2C-8R timers mounted in a PF085 socket. The pair of clips secure the timer to the socket in installations with significant vibration.



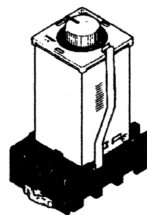
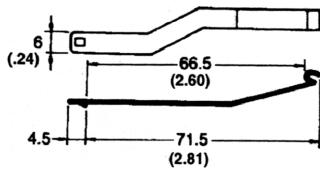
Y92H-3 Y92H-4

Y92H-3 for PYF□A Socket

Y92H-4 for PY□ Socket



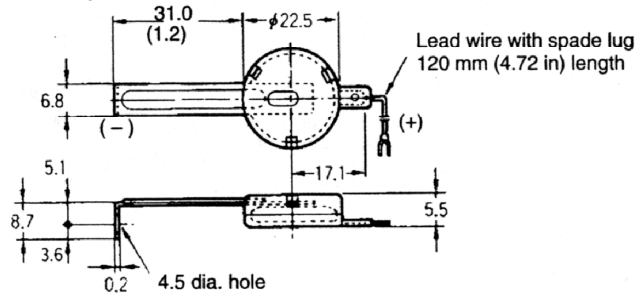
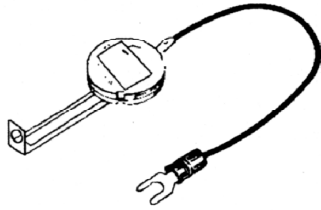
Y92H-6



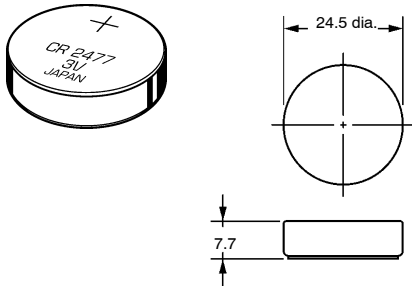
■ BATTERIES

For memory back up.

Y92S-20 Replacement Battery (for H5CN only)

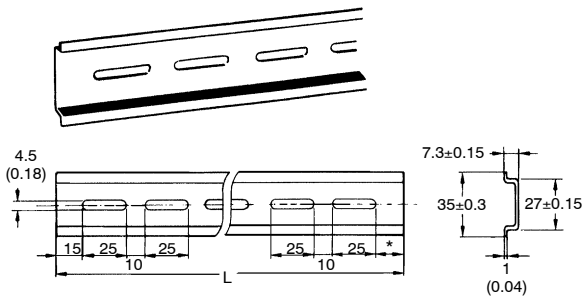


Y92S-36 Replacement (Lithium) 3 V Battery (for H7E totalizers only)

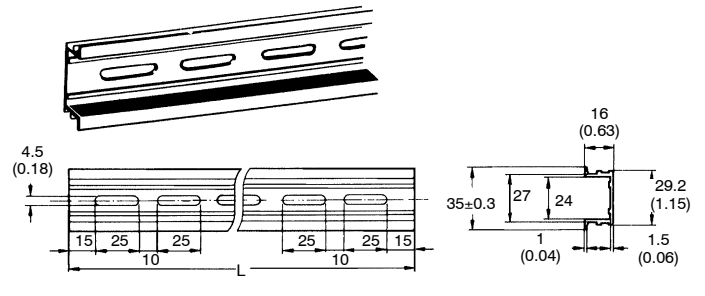


■ MOUNTING TRACKS

PFP-100N, PFP-50N Mounting-Tracks



PFP-100N2 Mounting-Tracks



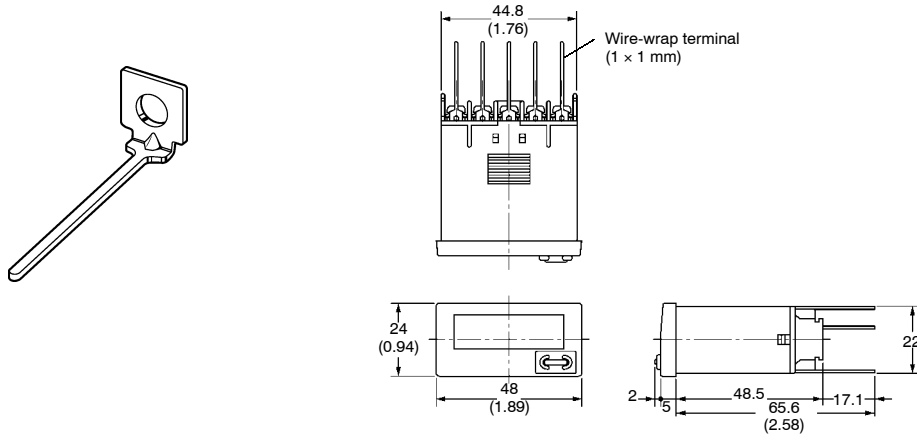
L: Length

1 m	PFP-100N
50 cm	PFP-50N
1 m	PFP-100N2

Unit: mm (inch)

MISCELLANEOUS

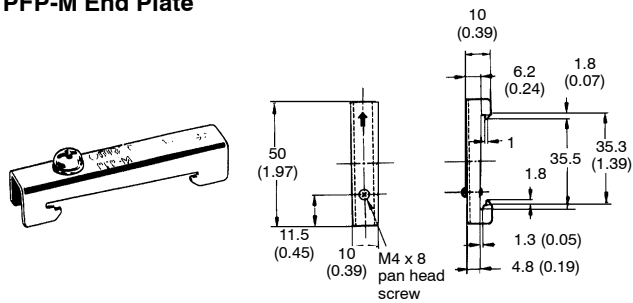
Y92S-37 Wire-Wrap Terminal (for H7E totalizers only) (Set of Two Terminals)



The wire-wrap terminals have a cross sectional dimension of 1x1 mm. Select one of three gauges of wire from the table below. Also listed in the table is the appropriate wiring hardware

Wire	Bit	Sleeve	Wrapped state
AWG22	2-A	2-B	Normal
AWG24	1-A	1-B	Normal
AWG26	1-B	1-B	Normal

PFP-M End Plate



PFP-S Spacer

