



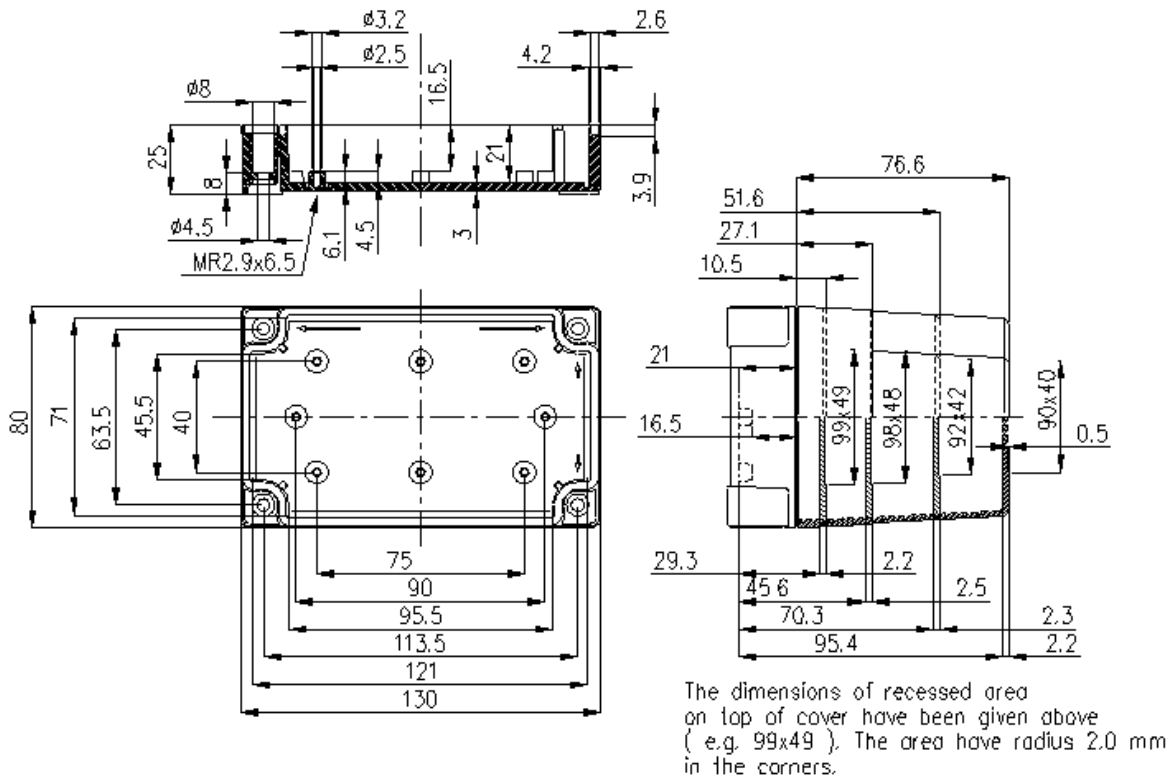
This is a sample photo.

Order symbol	PC 100/35 LT		
EI. number	EAN-code	6418074022257	
Sweden			
Denmark			
Finland	3420411		

Including
Enclosure cover with cover screws, body with mounting screws and gasket.

Product Properties
USA: UL Type 1, 4, 4X, 6
EURO: IP 66/67 (EN 60529); IK 08 (EN 50102)

MNX PC



Technical Information of Product Group

Standard colour:	RAL 7035	Temp. range-in cont. use:	Max. +80 °C
Flame resistance:	UL94-5V (UL 746 C 5)	Temp. range-of material:	- 40 °C - + 120 °C

Accessories

Sealing bushing	DP 14553
Condensation water plug	MB 12189
Mounting screw	MR ZN2.9x6.5
Ventilation device	MB 10631
Inspection window	L 02
Cover screw	SS 14550BL
Mounting plate	MIV 100
DIN-Rail	MIV 5
DIN-Rail	MIN 10
DIN-Rail	MIN 5
DIN-Rail	MIV 10
Front plate	FP A 100/130
Hinge	TH A