



Switching, Sensing and Control Solutions

from GENTECH INTERNATIONAL LTD

Grangestone Industrial Estate, Girvan, Ayrshire KA26 9PS, United Kingdom

Telephone: +44 (0) 1465-713581. Fax: +44 (0) 1465 714974

Email: sales@gentech-international.co.uk

Website: gentech-international.co.uk

LS SERIES HORIZONTAL LIQUID LEVEL SENSORS



DESIGN FEATURES

- High or low level sensing
- Normally open or normally closed operation by rotating through 180°
- In three material options: Nylon 6.6, glass filled polypropylene or PPS
- Externally fitted via compression grommet or 1/2" NPT
- Internal fitted M12, M16 or 1/4" NPT
- LS4 and LS5 with UK Water Research Council approval for hot and cold water
- Underwriters Laboratories listed models File No. E98428
- Sealing washers and materials suitable for a wide range of chemicals
- Reed switch reliability
- Temperature range up to 130°C
- Interface option

Operational Characteristics (1)

Switch Option		01	03	04	06	07	08
Contact Configuration		SPST	SPST	SPDT	SPST	SPST	SPST
Contact ratings		Reed Switch	Reed Switch	Reed Switch	Reed Switch	Triac(2)	Triac
Maximum (resistive loads)	Volts DC	100	100	100	100	AC only	AC only
	Volts AC	120	250	70	120	250	250
	Amps	1.0	1.0	0.5	3.0	3.0	1.0
	Watts	15	15	3	100		
Minimum withstand across open contacts	Volts	300	800	200	400	600	400
	Initial Contact resistance	Ohms	0.25	0.25	0.25	0.75	

1. The above contact ratings are for resistive loads. For inductive, capacitive and tungsten filament lamp loads refer to the circuit protection notebook.

2. Available on 1/2" NPT only.

Environmental Specifications

Housing and Float Material (a)	Operating Temperature	Minimum Sg
LS3-Glass Filled Nylon 6.6 (b)	-30° to +130°C	0.85
LS4-WRC approved Glass Filled Polypropylene (c)	-30° to +110°C	0.65
LS5-WRC approved Glass Reinforced Polyphenylene	-30° to +130°C	0.70
LS7-Die Cast body Glass Filled Nylon 6.6 Float (b)	-30° to +130°C	0.85
LS8-Glass Filled Polypropylene (c)	-30° to +110°C	

Sealing Washer/Compression Grommet

Silicone	-54° to +150°C
Nitrile	-30° to +110°C
EPDM	-54° to +150°C

a. Detailed chemical resistance information for specific liquids is available on request.

b. Higher temperature models available.

c. For boiling water applications the maximum operating temperature limits are:- Continuous boiling water 80°C. Non continuous boiling water 100°C.

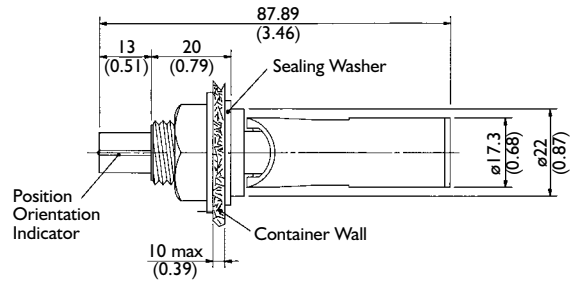
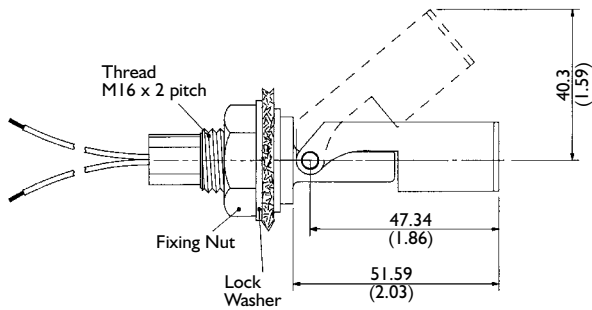
Mechanical Specification

Mounting Position	Operate Window	Release Angle	Shock	Vibration
±30° from horizontal	Minimum 5° from mounting angle	Maximum 40° from mounting angle	50g for 11ms duration (reed switch only)	35g up to 500Hz (reed switch only)

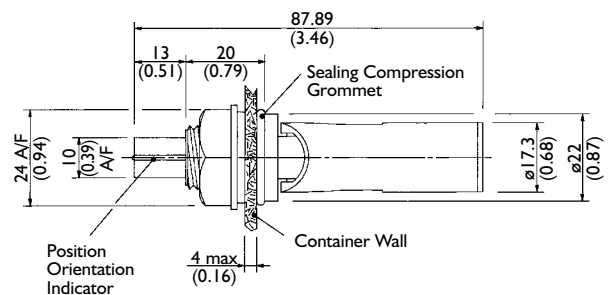
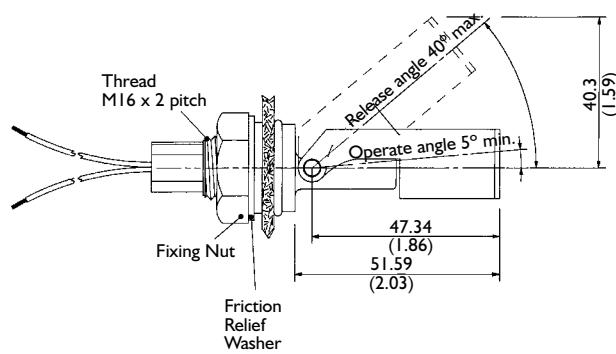
Electrical Connections

Switch options **01, 03 and 06** with Standard Cable are fitted with 2 x 18 AWG, 32/0.2mm stranded, with PVC insulation approved to UL/CAS/BB6361. **07 and 08** with Standard Cable are fitted with 2 x 22 AWG, 16/0.2mm stranded, with PVC insulation approved to UL/CAS/BS6361. **01, 03, and 06** with Double Insulated Cable are fitted with 16/0.2mm stranded, with PVC insulation approved to UL/CAS/BS6500. 04 with Standard Cable is fitted with 3 x 24 AWG, 7/0.2mm stranded with PVC insulation. 04 with Double Insulated Cable is fitted with 7/0.2mm stranded with PVC insulation.

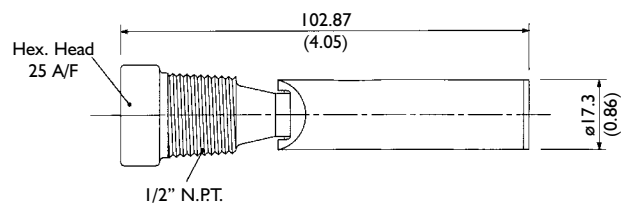
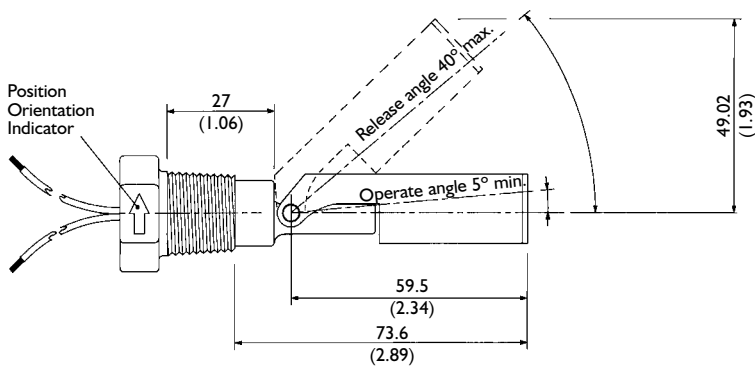
Internal Fitting



External Fitting



Mounting Bush Fitting



Installation

Please contact Sales at Gentech for installation instructions (Ref. FI-0700-R1)

Applications

Please contact Sales at Gentech for applications relating to this product group.



GENTECH INTERNATIONAL LTD
 Grangestone Industrial Estate, Girvan, Ayrshire KA26 9PS, United Kingdom
 Telephone: +44 (0) 1465-713581. Fax: +44 (0) 1465 714974
 Email: sales@gentech-international.co.uk
 Website: gentech-international.co.uk