



ALL RIGHTS RESERVED. NO PORTION OF THIS PUBLICATION, WHETHER IN WHOLE OR IN PART CAN BE REPRODUCED WITHOUT THE EXPRESS WRITTEN CONSENT OF SPC TECHNOLOGY.

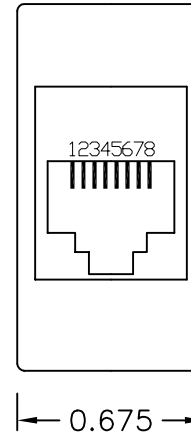
SPC-F005.DWG

REVISIONS

DOC. NO. SPC-F005 * Effective: 7/8/02 * DCP No: 1398

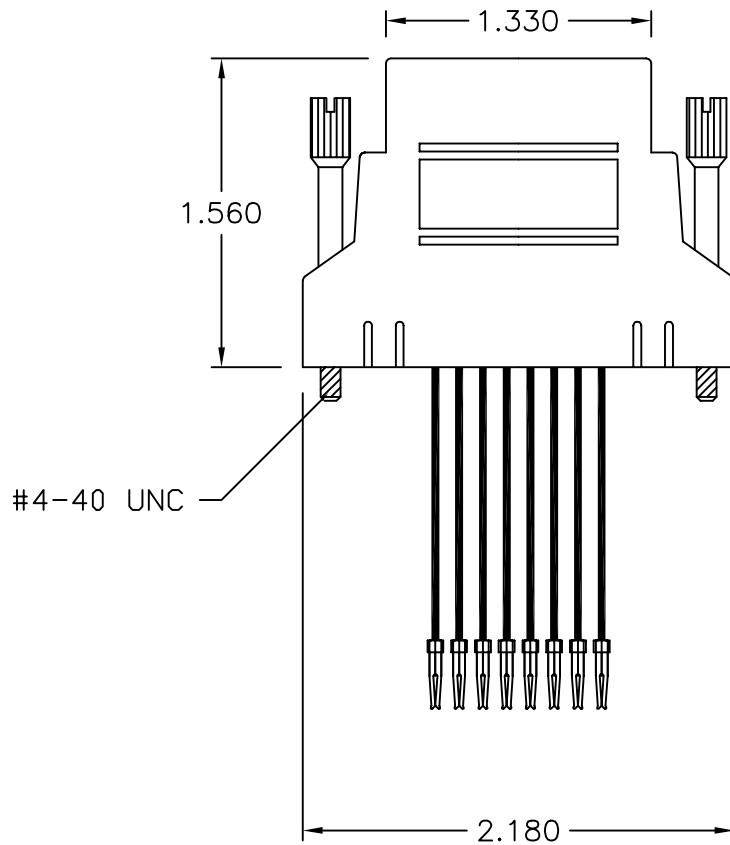
DCP #	REV	DESCRIPTION	DRAWN	DATE	CHECKD	DATE	APPRVD	DATE
1300	A	RELEASED	JWM	03/27/03	HO	3/27/03	DJC	3/27/03

REAR VIEW



MODULAR JACK PIN I.D.

- 1 - BLUE
- 2 - ORANGE
- 3 - BLACK
- 4 - RED
- 5 - GREEN
- 6 - YELLOW
- 7 - BROWN
- 8 - WHITE



KIT CONSISTS OF:

- 1 pc - ONE PIECE MODULAR ASSEMBLY WITH COVER
- 8 pcs - TERMINATED FEMALE CONTACTS ON MULTICOLORED WIRE WITH OPPOSITE ENDS WIRED TO MODULAR JACK
- 2 pcs - THUMBSCREWS INSTALLED IN COVER
- 1 pc - 25 PIN FEMALE CRIMP STYLE D SUB CONNECTOR

NOTES:

1. COVER MATERIAL: ABS UL94V-0
2. MODULAR JACK MATERIAL: ABS UL94V-0
3. 25 PIN D SUB HOUSING MATERIAL: PBT GLASS FILLED UL94V-0
4. 25 PIN D SUB SHELL: TIN PLATE STEEL
5. FEMALE D SUB CONTACTS: PHOSPHOR BRONZE SELECTIVE GOLD FLASH OVER NICKEL UNDERPLATE
6. FOR PIN CONFIGURATION SEE MODULAR JACK PIN I.D.
7. FOR MATERIALS INCLUDED IN KIT SEE NOTE ON KIT
8. INNER SHIELD: PHOSPHOR BRONZE WITH NICKEL PLATE

DISCLAIMER:
ALL STATEMENTS AND TECHNICAL INFORMATION CONTAINED HEREIN ARE BASED UPON INFORMATION AND/OR TESTS WE BELIEVE TO BE ACCURATE AND RELIABLE. SINCE CONDITIONS OF USE ARE BEYOND OUR CONTROL, THE USER SHALL DETERMINE THE SUITABILITY OF THE PRODUCT FOR THE INTENDED USE AND ASSUME ALL RISK AND LIABILITY WHATSOEVER IN CONNECTION THEREWITH.

TOLERANCES:
UNLESS OTHERWISE SPECIFIED, DIMENSIONS ARE FOR REFERENCE PURPOSES ONLY.

DRAWN BY:	DATE:
Jeff McVicker	3/27/03
CHECKED BY:	DATE:
Hisham Odish	3/27/03
APPROVED BY:	DATE:
Daniel Carey	3/27/03

DRAWING TITLE: RS-232 Modular Adaptor Kit, 25 Pin, Female, to RJ-45			
SIZE	DWG. NO.	ELECTRONIC FILE	REV
A	1500	92N3455.dwg	A
SCALE: NTS		U.O.M.: INCHES [mm]	SHEET: 1 OF 1