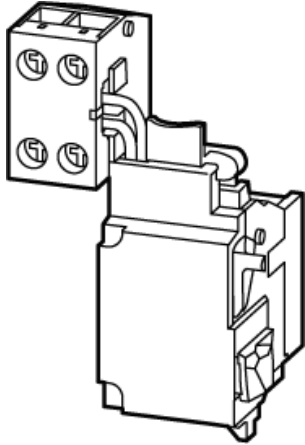
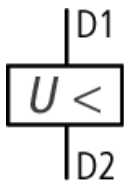


Type: **NZM1-XU24AC**
 Article No.: **259434**
 Sales text **Undervoltage release**



Non-delayed disconnection of NZM circuit-breakers or N switch-disconnectors when the control voltage sinks below 35 – 70% U_s .

For use with Emergency-Stop devices in conjunction with Emergency-Stop button.



Notes concerning the product group

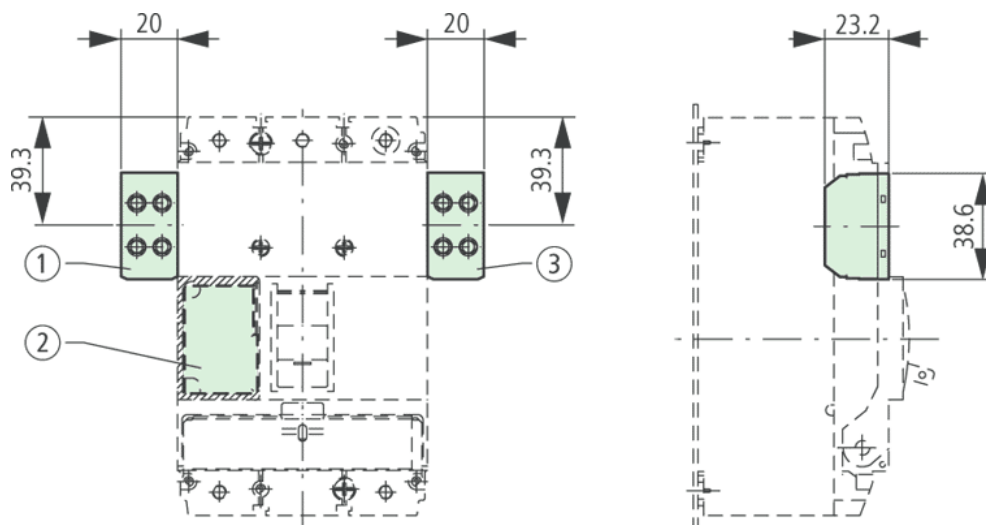
When the undervoltage release is de-energized, accidental contact with the main contacts of the switch during attempts to switch on, is safely prevented .

Undervoltage release cannot be installed simultaneously with NZM...-XHIV... early-make auxiliary contact or NZM...-XA... shunt release.

Undervoltage release			
Rated control voltage			
AC	U_s	V AC	24...600
DC	U_s	V DC	12...250
Operating range			
Drop-out voltage		$\times U_s$	0,35 – 0,7
Pick-up voltage		$\times U_s$	0,85 – 1,1
Power consumption			
AC			

Pick-up AC		VA	1,5
Sealing AC		VA	1,5
DC			
Pick-up DC		W	0,8
Sealing DC		W	0,8
Max. opening delay (response time until the main circuits open)		ms	Approx. 19
Minimum command time		ms	Approx. 10 – 15
Terminal capacities			
Solid or flexible conductor with ferrule		mm ²	1 × (0.75 ... 2.5) 2 × (0.75 ... 2.5)
		AWG	1 × (18 ... 14) 2 × (18 ... 14)

Dimensions



Moeller GmbH, Hein-Moeller-Str. 7-11, D-53115 Bonn
E-Mail: catalog@moeller.net, Internet: www.moeller.net, <http://catalog.moeller.net>
Copyright 2006 by Moeller GmbH. HPL-C2007G V2.1