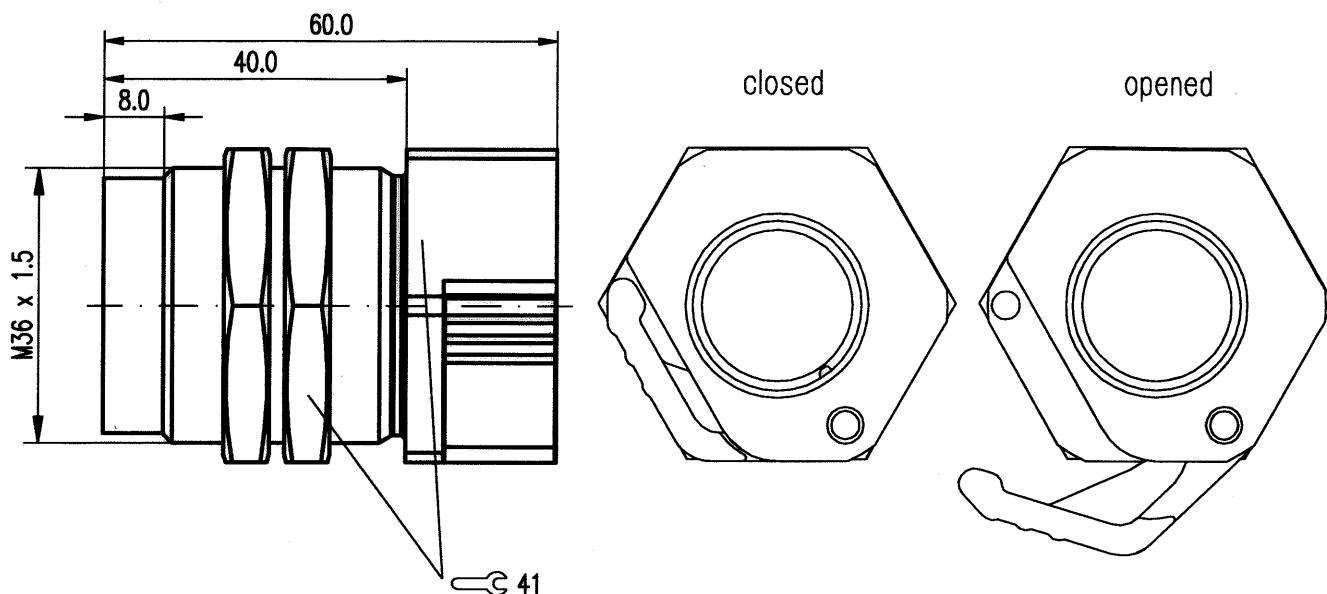


**Clamping holder with positiv stop**  
**M36x1,5 x 60,0**

**BES 30,0-KH-9LT**



**Application**

The clamping holder with positive stop is used for holding proximity switches with M30 housings and mounting lengths 57 mm and longer. The plastic stop cap allows sensors with extended switching distance to be used with no change in the switching distance.

**Characteristics**

Housing material	CuZn
Union nut material	CuZn
Finish	white bronze plated
Positiv stop material	LCP with PTFE
Mounting thread	M 36x1,5
Mounting length	32,0 mm
Mounting type	Toggle clamp
Tightening torque max.	30 Nm
Temperature range	-25...+70 °C
Clamping cycles	20
Additional attributes	-

Definitions see general catalog  
 If not otherwise noted, ratings according to  
 DIN ISO 2768-mH