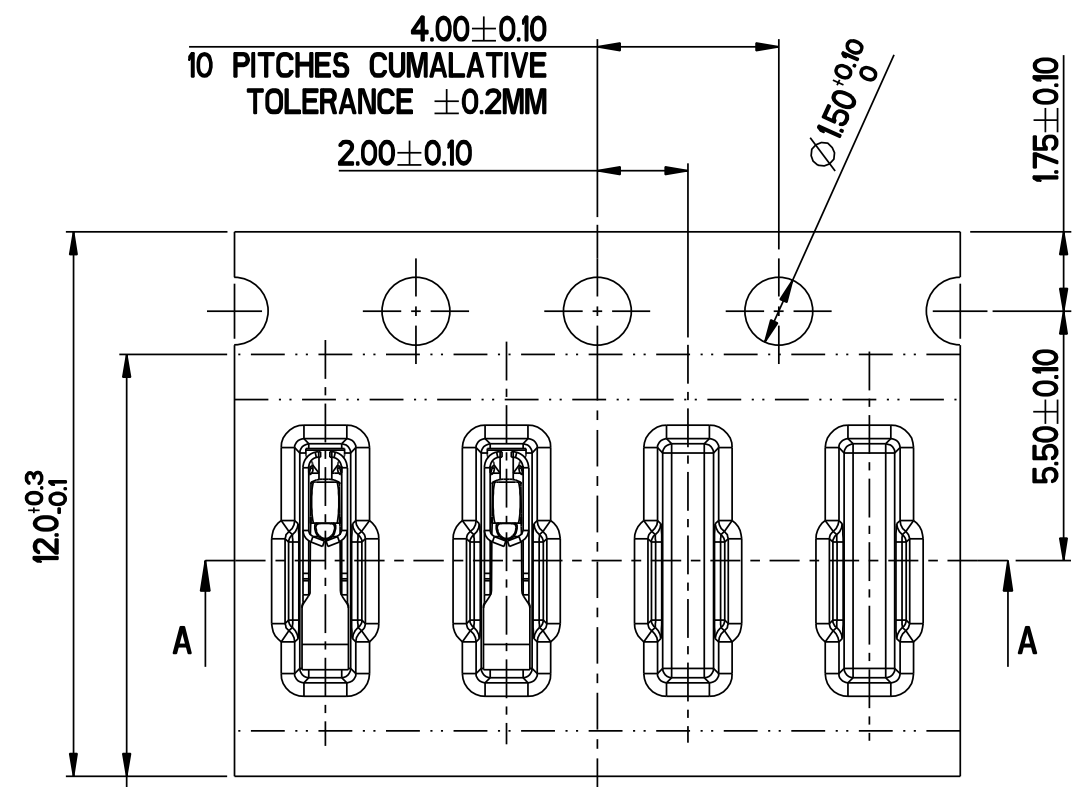
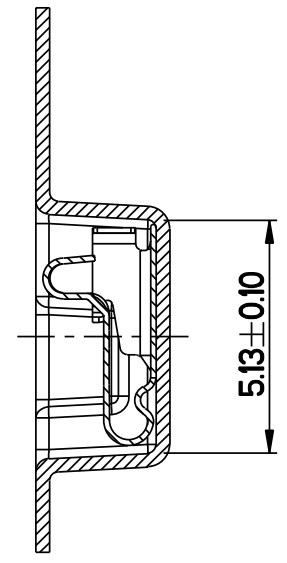


- NOTES:**
- 1) MINIMUM STROKE 1.0 MM.
  - 2) FOR CONTACT FORCES SEE LOAD/DEFLECTION GRAPH. FORCE TO BE MEASURED USING SPC AT COMPRESSED HEIGHT OF 2.15MM.
  - 3) PLATING AFTER STAMPING  
 SELECTIVE GOLD BRUSH PLATING ON CONTACT POINT 1.0 MICRONS MINIMUM, AND OVER SOLDER PAD AREA 0.05/0.15 MICRONS OVER NICKEL UNDERLAYER 1.0/3.0 MICRONS.
  - 4) MIN MATING CYCLES 100.
  - 5) CONTACT RESISTANCE MAX 20 m $\Omega$ .
  - 6) CRITICAL DIMENSIONS ARE RINGED.
  - 7) UNSPECIFIED DIMENSIONS - LINEAR  $\pm 0.10$ , ANGULAR  $\pm 0.2^\circ$ .
  - 8) NUMBERED BALOONS FOR CUSTOMER REFERENCE ONLY.
  - 9) RECOMMENDED PCB PAD SIZE: 3.76 X 1.00 mm

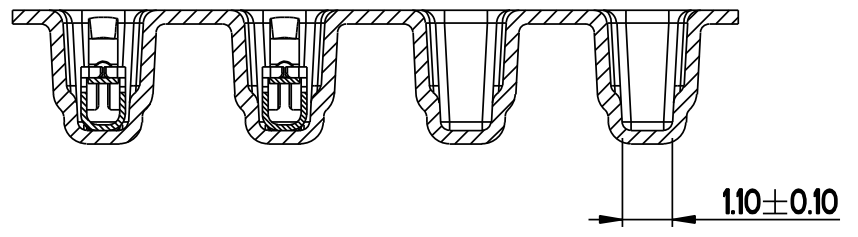
<b>DO NOT SCALE</b>			Total Volume : 1.912 mm <sup>3</sup>	Total Surface Area : 35.014 mm <sup>2</sup>	PDM: *** **	A3/B
Drawn	LL	10-May-06	MATERIAL: BERYLLIUM COPPER 0.125mm	ITT Industries Cannon Electronics (SZ) Co. Ltd.	Toupandun Industrial Area, Jinda Cheng, Xiner Village, Shajing Town, Baoan District, Shenzhen City PRC 518125	Pro/E Generic Model
Checked	KT	10-May-06				Title
Engineer.	KT	10-May-06	Treatment:	Ref:	Scale 20:1	Sheet 1 of 2
Manufact.			Dimensions in: mm	Cust Spec No:	Drwg. No.	CU-120220-0161
Assembly					iss/rev	1
Quality					This is issued in strict confidence on condition that it is not used as a basis for manufacture or sale and that it is not copied reprinted or disclosed to a third party either wholly or in part without the prior written consent of ITT Industries © 24-May-05	
Approvals	Sign	Date				



SECTION B-B

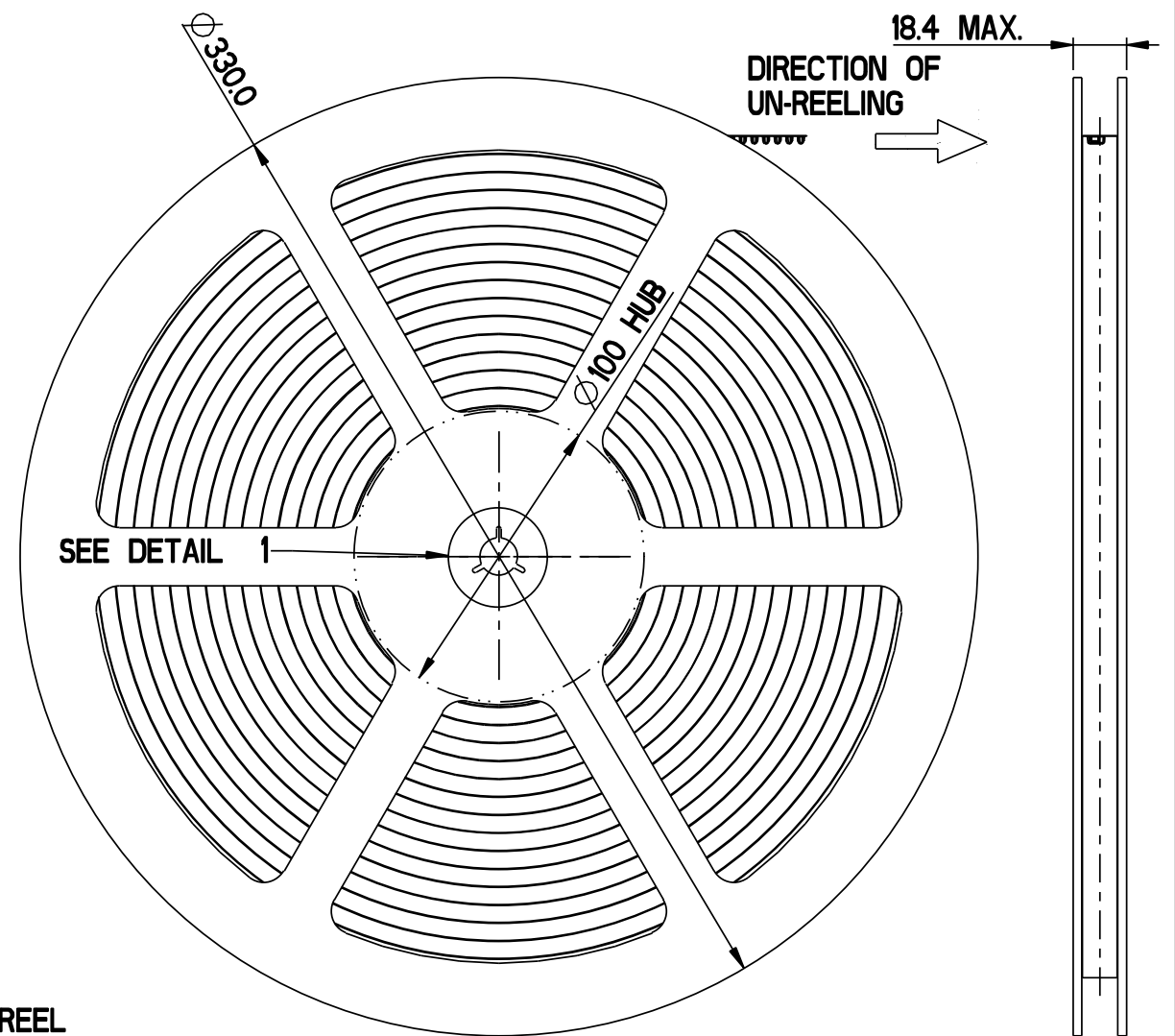


SECTION A-A



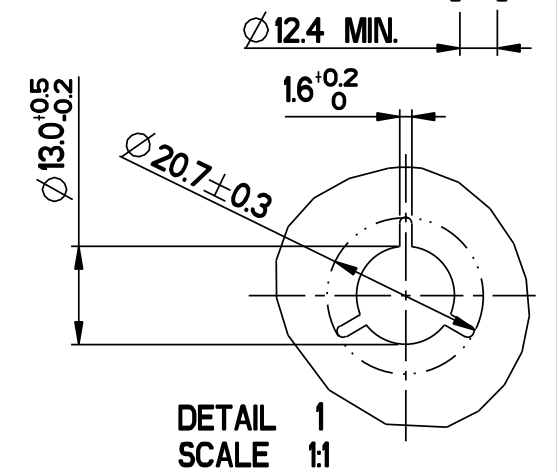
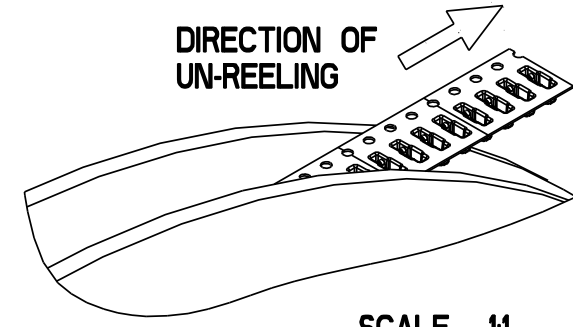
9.3 ANTI-STATIC COVER TAPE  
POLYESTER - 0.025 THICK  
PRESSURE SEAL

NOTES:  
1, CARRIER TAPE MATERIAL - BLACK CONDUCTIVE POLYSTYRENE.



PACKAGING DETAILS

- 1) 6000 PCS TO BE PACKED PER REEL
- 2) LEADER : 390 MM
- 3) TRAILER : 160 MM
- 4) REEL MATERIAL - BLACK ANTI-STATIC POLYSTYRENE



<b>DO NOT SCALE</b>					PDM: *** **		A3/B	
Drawn	LL	10-May-06	MATERIAL: BERYLLIUM COPPER 0.125mm	3rd ANGLE PROJECTION	ITT Industries Cannon Electronics (SZ) Co. Ltd.	Pro/E Generic Model		
Checked	KT	10-May-06				Title		UNIVERSAL CONTACT 2.5MM
Engineer	KT	10-May-06	Treatment:	Surface Roughness	Toupan Industrial Area, Jinda Cheng, Xiner Village, Shajing Town, Baoan District, Shenzhen City PRC 518125		Drwg. No. <b>CU-120220-0161</b>	
Manufact.				Unless Specified	Scale 1:1			
Assembly					Sheet 2 of 2		iss/rev 1	
Quality					Ref:			
Approvals	Sign	Date	Dimensions in: mm	Cust Spec No:	Scale 1:1		iss/rev	
SEE SHEET 1			This is issued in strict confidence on condition that it is not used as a basis for manufacture or sale and that it is not copied reprinted or disclosed to a third party either wholly or in part without the prior written consent of ITT Industries © 24-May-05					
Iss	DCN/ECN or Description		Date					