



## 4 Watt LED Module

### Light Source

- ✿ 3 High Power Light Emitting Diode (1 Watt LEDs)
- ✿ Colors: Cool White, Warm White, Blue, Cyan, Green, Amber and Red
- ✿ Consistent unit-to-unit color temperature



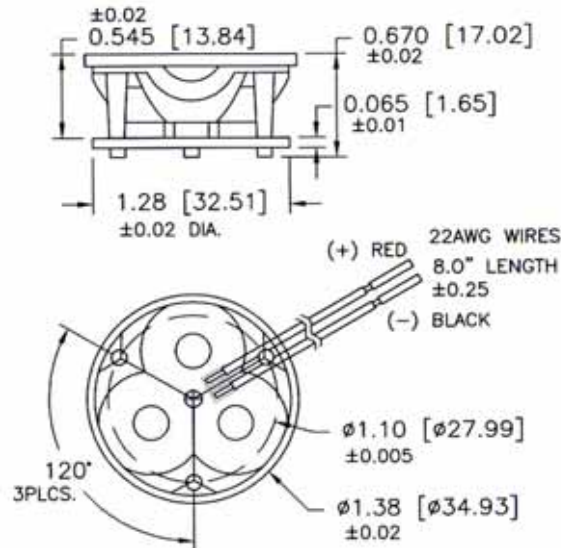
### ✿ Model-ILL3A003

- ✿ 1.38" (35mm) round compact source
- ✿ Operating life 50,000 hours
- ✿ High efficiency optics: 11 or 24 degree beam
- ✿ Metal Clad PCB Substrate
- ✿ 8" power leads
- ✿ For Spot Lighting, Landscape Lighting, Architectural Lighting, Portable Lighting, Task Lighting, Track Lighting, Point of Purchase, Cabinet and Display Case Lighting

P/N ILL3A003* *=Color and (11° or 24° ) Optics	<u>Color</u>	<u>Color Temp - Dominant Wavelength</u>	<u>Typical Luminous Flux (Lumens)</u>	<u>Design Current (mA)</u>	<u>Power Consumption (Watts)</u>
ILL3A0003(A or H)	Cool White	5500K +/- 250K	96	350	3.8
ILL3A0003(B or I)	Warm White	3800K +/- 250K	48	350	3.8
ILL3A0003(C or J)	Blue	470nm	29	350	3.8
ILL3A0003(D or K)	Cyan	505nm	96	350	3.8
ILL3A0003(E or L)	Green	530nm	96	350	3.8
ILL3A0003(F or M)	Amber	589nm	101	350	2.8
ILL3A0003(G or N)	Red	625nm	105	350	2.8



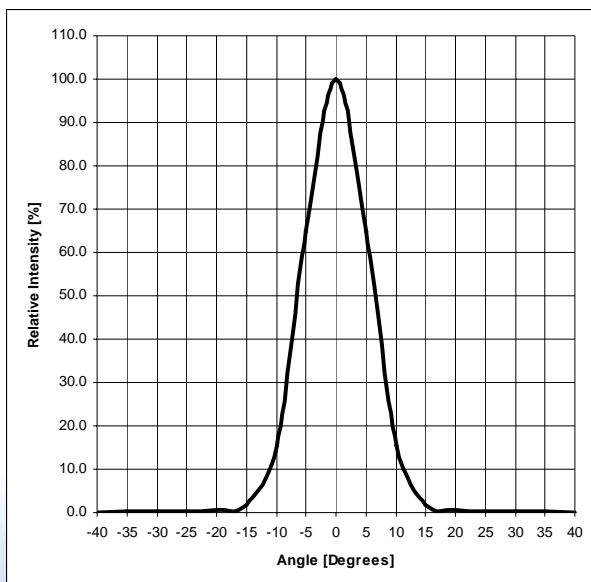
## Specifications



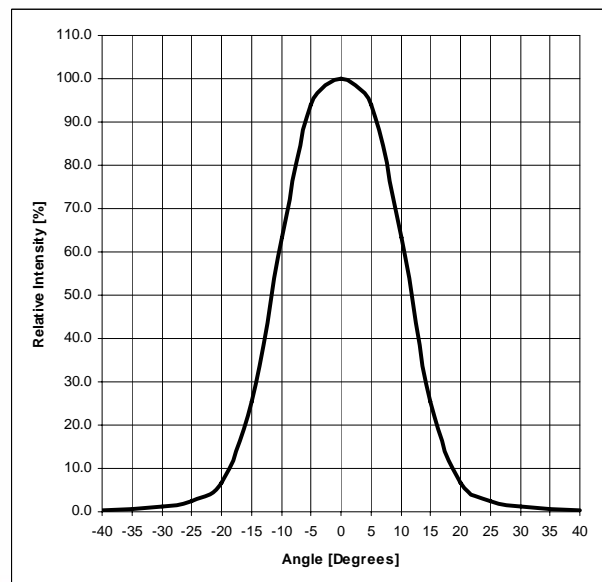
### Operating Specifications:

- Operating PCB temperature: 65 °C (Recommended)
- Maximum PCB temperature: 100 °C
- Thermal Resistance (Rthj-a): 31 °C/W
- Projected life: 50,000 hours (70% lumen maintenance at 65 °C)
- \* Additional heat sinking required, refer to CML technical support for thermal management guidelines

## Photometric Data



Radiation Pattern with 11° optic (CW)



Radiation Pattern with 24° optic (CW)