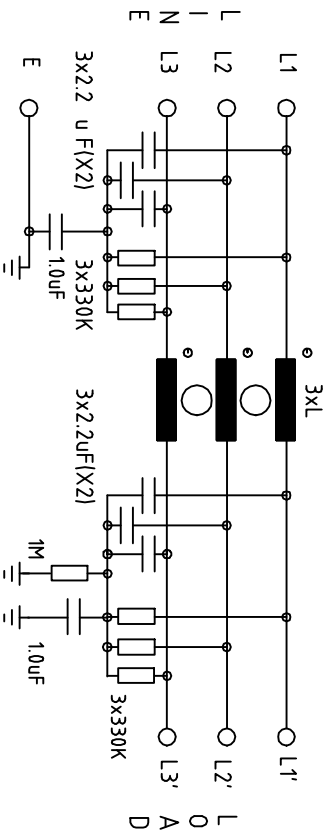


FIXING FOR SURGE ARRESTER (VSU3W)

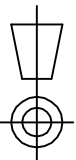
ELECTRICAL SPECIFICATION

RATED VOLTAGE 4.40/250V
 LINE FREQUENCY 50/60Hz
 TEMPERATURE RANGE -25 to 85 DegC
 TEST VOLTAGE 2.0KV DC
 LEAKAGE CURRENT 138mA AT 250V 50Hz
 WEIGHT 2.7Kg

ELECTRICAL SCHEMATIC



ALL DIMENSIONS IN MM / ANGLES IN DECIMAL DEGREES



ROXBURGH ELECTRONICS LTD

TITLE 3-WIRE M6 MOTOR DRIVE FILTER

MDF3XX-M6-GS

3

GENERAL SPECIFICATION FOR MDF3XX-M6

CUSTOMER REFERENCE

TYPE	CURRENT (IRMS) @4.0°C	INDUCTANCE (L)	RESISTANCE (R) PER WINDING	MINIMUM INSERTION LOSS AT 150 KHZ	
				COMMON MODE	DIFFERENTIAL MODE
MDF318	18A	2.85mH	10.6mR	87dB	29dB
MDF325	25A	1.90mH	5.7mR	83dB	25dB
MDF336	36A	0.90mH	2.4mR	77dB	19dB
MDF350	50A	0.55mH	1.8mR	72dB	15dB