

# SKINTOP® MSR, MSR-XL

## Brass cable gland

### SKINTOP® MSR

SKINTOP® MS with reducing seal insert, to seal cables and wires with smaller outer diameters. Suitable for use in manufacturing of machinery and equipment, in measuring and controlling technology, in chemical technology, in system manufacturing, in medico-technical equipment and in many other fields where exceptional stability and safe functioning are required.

#### Advantages:

- solid locked plastic clamp cage
- very economical due to less variations on stock

### SKINTOP® MSR-XL

#### Long connection thread


Additionally we offer our proven SKINTOP® MSR with long connection thread, PG 7-PG 21 with 12 mm and PG 29 with 15 mm for thick wall housings.


#### Note


Suitable accessories see SKINDICHT® cable gland accessories PG page 9.121.

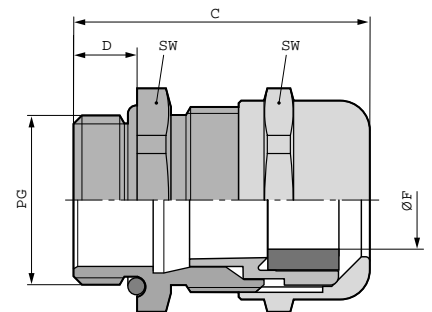


### Technical Data

 Material:  
Body: Brass, nickel-plated  
Insert: polyamide  
Sealing ring: CR/NBR  
O-ring: NBR

 Temperature range:  
-30 °C to +100 °C

 Protection class:  
IP 68 - 5 bar



Part number	Type-PG-size	Clamping range ØF mm	Wrench Size mm	C mm	D mm	PU pieces
<b>SKINTOP® MSR</b>						
5201 5770	MSR 7	2 - 5	14	25	5	100
5201 5780	MSR 9	2 - 6	17	29	6	100
5201 5790	MSR 11	3 - 7	20	32	6	50
5201 5800	MSR 13,5	4 - 9	22	34	6,5	50
5201 5810	MSR 16	6 - 13	24	35	6,5	50
5201 5820	MSR 21	8 - 16	30	40	7	25
5201 5830	MSR 29	10,5 - 20	40	48	8	25
5201 5831	MSR 36	19 - 26	50	62	15	10
5201 5832	MSR 42	24 - 31	57	62	15	5
5201 5833	MSR 48	28 - 35	64	62	15	5
<b>SKINTOP® MSR-XL</b>						
5211 5770	MSR 7	2 - 5	14	32	12	100
5211 5780	MSR 9	2 - 6	17	35	12	100
5211 5790	MSR 11	3 - 7	20	38	12	50
5211 5800	MSR 13,5	4 - 9	22	39,5	12	50
5211 5810	MSR 16	6 - 13	24	40,5	12	50
5211 5820	MSR 21	8 - 16	30	45	12	25
5211 5830	MSR 29	10,5 - 20	40	52	15	25