

335-8562

multicomp
SPECIFICATION AND APPROVALS

- 1) Model Number : 50D MC 3350-041-91
Multicomp PN#157-879
- 2) Description : Rocker Switch B/B-S QC Terminals
- 3) Name of Manufacturer : Swann Industries Pte Ltd
- 4) Ratings : Rating
12A 125VAC
6A 250VAC
- 5) Contact Resistance : $20 \times 10^{-3} \Omega$
- 6) Insulation Resistance : $> 50 \times 10^6 \Omega$
- 7) Dielectric Strength : Up To 3.5kVAC
- 8) Mechanical Endurance : >100,000 cycles
- 9) Circuit : ON-OFF-ON
- 10) Recommended Panel Cut-Out : Thickness (mm) Cut-Out Size(mm)
1.0 (min) 27.2 x 22.1
3.0 (max) 27.2 x 22.3
- 11) Terminal : 6.35mm Quick Connect

ok
N

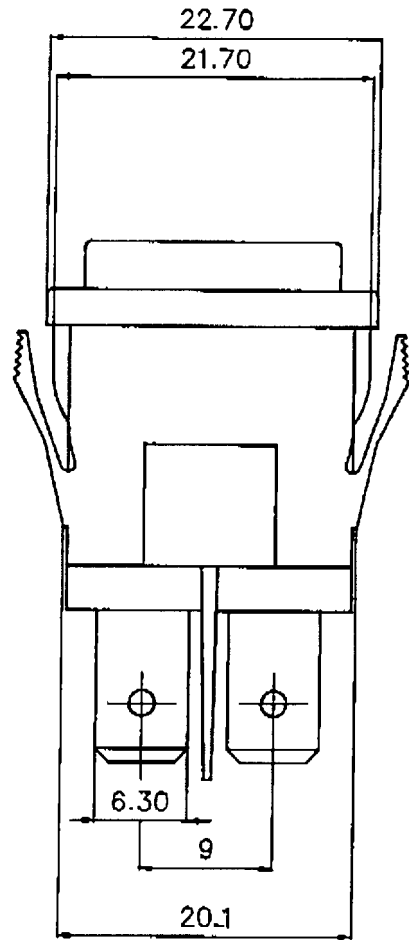
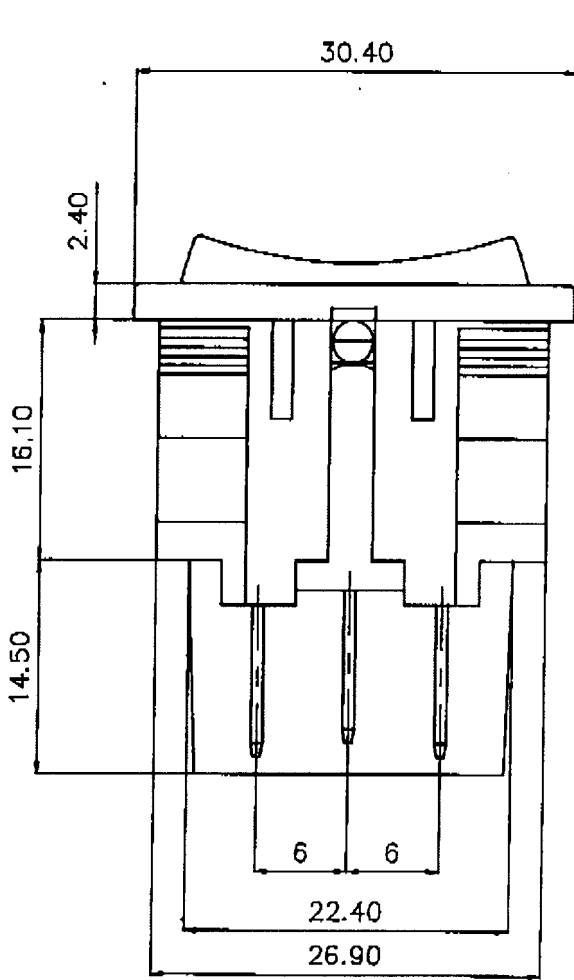
2/2/2

Issued by :

Date : 04 May 2000

© COPYRIGHT 1988 BY SPC TECHNOLOGY.
 ALL RIGHTS RESERVED. NO PORTION OF
 THIS PUBLICATION, WHETHER IN WHOLE
 OR IN PART CAN BE REPRODUCED
 WITHOUT THE EXPRESS WRITTEN CONSENT
 OF SPC TECHNOLOGY.

REVISIONS			DOC. NO. SPC-F004, Total Pages: 2 Effective: 7/15/87, DCP No: 228 Supersedes DCP No: 103					
DCP #	REV	DESCRIPTION	DRAWN	DATE	CHECKED	DATE	APPRVD	DATE



SPC-F004.DWG

DISCLAIMER:
 ALL STATEMENTS AND TECHNICAL INFORMATION CONTAINED HEREIN ARE BASED UPON INFORMATION
 AND/OR TESTS WE BELIEVE TO BE ACCURATE AND RELIABLE. SINCE CONDITIONS OF USE ARE
 BEYOND OUR CONTROL, THE USER SHALL DETERMINE THE SUITABILITY OF THE PRODUCT FOR THE
 INTENDED USE AND ASSUME ALL RISK AND LIABILITY IN CONNECTION THEREWITH.

multicomp

DRAWN BY:	DATE:	DRAWING TITLE: ROCKER SWITCH MC 3350-041-91 50D	MULTICOMP PN: 157-879	
	DATE:		ELECTRONIC FILE	REV
	DATE:			SCALE: 2 : 1