

## T03 Transistor Mounting Punch and Die Set

This product pierces the holes required for mounting a T03 packaged product



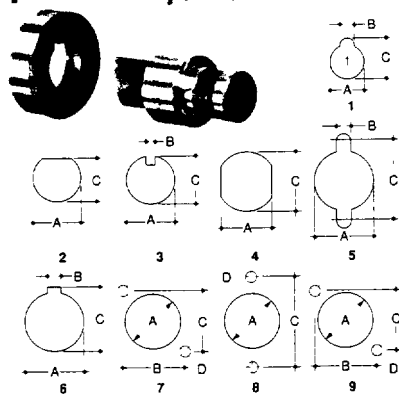
Type Order Code  
T03 Punch and Die Set 901-0310

## Keyhole Punch and Die Set



Type	A	B	C	Order Code
No 8 Screw	9.0mm	5.0mm	13.5mm	910-0010
No 10 Screw	10.0mm	5.5mm	15.0mm	910-0020
No 12 Screw	11.0mm	6.0mm	16.5mm	910-0030
3mm Screw	6.5mm	3.2mm	10.0mm	910-0040
4mm Screw	8.5mm	4.2mm	13.0mm	910-0050

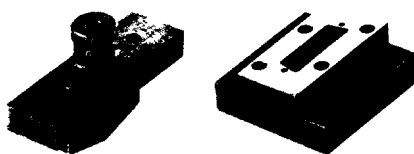
## Electrical Component Aperture 149-433 To 440



Type	Size (mm)			Order Code	
	A	B	C		
1 Insulated Terminal 3 & 4mm	6.6	1.5	8.1	911-0010	
Panel Mounting Socket	8.1	2.4	9.57	911-0020	
20mm Finger Release Fuse Holder	13	1.85	14.1	911-0080	
Mains Mini Panel Socket and Plug	19.5	3.3	21.5	911-0090	
Midget Wafer Rotary Switch	10.2	3.3	16.35	911-0110	
2 BNC Round Socket	9.7	-	8.8	911-0060	
20mm Fuse Holder/ UHF Round Socket	12.2	-	12	911-0070	
3 Toggle Switch 12	13	11.3	-	911-0120	
4 Strain Relief Brush	11.8	-	12.7	911-0030	
Strain Relief Brush	14	-	15.9	911-0040	
5 Din Flanged Panel Socket	15	3.2	22.5	911-0130	
6 DIN Circular Socket	16	3	17.2	911-0050	
Mains Push Button Switch and BNC Socket Insulator	12	2.7	13	911-0100	
7 7000 Series Panel Socket XLR 31	25	16.65	26.16	3.2	911-0160
8 7000 Series Panel Plug XLR 32	20	-	26.97	3.2	911-0170
9 7000 Series Universal Panel Punch	24	19	24	3.5	911-0180

## 'D' Connector Punch and Die Set

A range of hardened and tempered tool steel punches and dies that can be used to produce this complex shape with one stroke



These tools punch the two mounting holes and the connector hole in the same operation. This range of punches and dies must be used in conjunction with a suitable stripper

Type	Order Code	
	Front Set	Rear Set
9 Way	908-0010	909-0010
15 Way	908-0020	909-0020
25 Way	908-0030	909-0030
37 Way	908-0040	909-0040
50 Way	908-0050	909-0050

## Scart Punch and Die

This is a purpose designed tool, which enables the complicated cut-out shape for a scart connector to be easily pierced into the workpiece

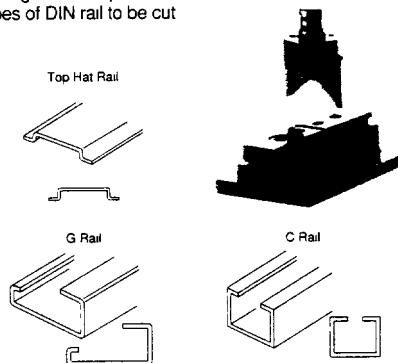


This tool comes supplied with its own stripper

Type	Order Code
Scart Punch and Die	901-1300

## DIN Rail Cutting Tool

A range of three products to enable three standard types of DIN rail to be cut



Each of these tools not only cuts the end square but also pierces mounting holes into the DIN rail. The punches for the mounting hole can be removed if not required

Type	Order Code
Top Hat Rail	901-0220
G Rail	901-0230
G Rail	901-0240*

\* Note Due to the heavy gauge of some "G" Rails this punch is more suited to the 5000lb Lever Press. See next column

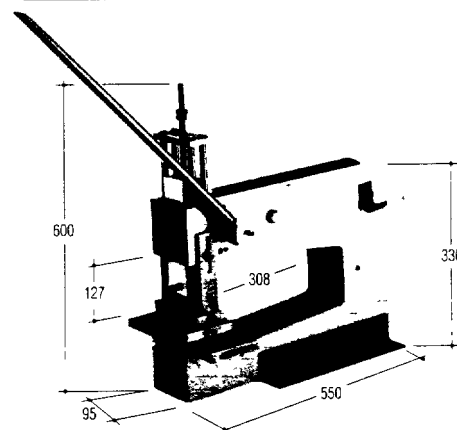
## 5000lb Lever Press

An increased capacity bench mounting press, with the advantage of 5000lb ram pressure and a 308mm throat depth. Increased capacity enables this machine to manipulate larger sizes of sheet.

The press has a double, flame-cut, steel frame with a precision ground rack and pinion mechanism giving a constant force through the stroke up to 5000lb. The ram can be accurately adjusted to enable the cutting depth of the tool to be controlled, which in turn safeguards against tool and material damage.

### Product Specification

Length (overall):	550mm
Height (max excl. lever):	600mm
Width (incl. die plate holder):	230mm
Handle Length:	762mm
Throat Depth:	308mm
Clearance:	127mm
Stroke Length (shop fitted):	127mm
Ram Spigot Hole Diameter:	25mm
Depth:	30mm
Base Central Hole Diameter:	50.8mm
Bench Mounting 4 Holes F.C.	225mm x 168mm by 10mm Clear
Press Weight:	66 kg
Cutting Capacity for 50mm Hole:	Aluminium 3mm Steel 2mm



A range of dedicated tools for this product is available. All press tooling from the 3000lb press can be utilised with this 5000lb lever press by using a separate adaptor. Any tool used with this product may be rotated through 90° which enables the material to be worked through two axes.

Type	Order Code
5000lb Lever Press	920-0000

## Dieholder

The dieholder product accommodates circular and rectangular dies from 30 to 50mm