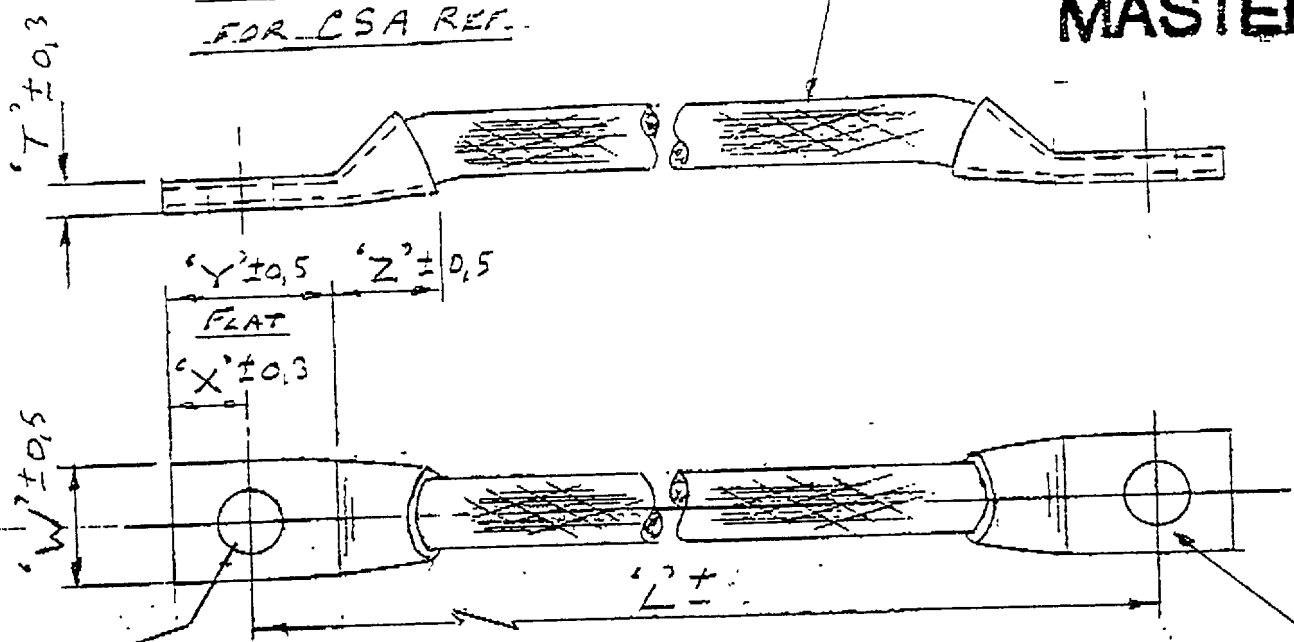


108-766 +

FIRST ANGLE PROJECTION



ROUND FLEXIBLE TINNED  
COPPER STRAND, SEE TABLE  
FOR CSA REF.



HOLES  $\Phi$  H H14,  
EACH END

INTEGRAL TYPE PALMS FROM  
TINNED COPPER TUBE.

ITEM NO.	LENGTH $L \pm$	CONDUCTOR CSA mm <sup>2</sup>	STUD SIZE REF.	HOLE REF. $\Phi$ H H14	TERMINAL DIMENSIONS					
					$W \pm 0,5$	$T \pm 0,3$	$X \pm 0,3$	$Y \pm 0,5$	$Z \pm 0,5$	
1	150	10	M5	5,2	14,5	2	6,5	17	7	108-766
2	250	15	M6	6,4	15,5	2,2	8,5	18	12	108-767
3	400	25	M8	8,3	16,5	2,8	9	20	9	108-768

This drawing is issued in strictest confidence. Any design applications or copyrights arising and items produced shall be considered the property of CTT Ltd.

ALL DIMENSIONS ARE IN MM

DRG.	DATE	INITIAL
CHKD.	10/7/90	JFP
APPD.	10/7/90	D. Jones

DATE	ISSUE	MODIFICATIONS	APPD.	DRG No.	0951-A4
10/7/90	1	PRODUCTION DRG.		PART No.	
				DESCRIPTION	FLEXIBLE CONNECTORS
				TUBE SIZE	INSULATION SPEC:
MATL:	SEE DRG.				
FINISH	SEE DRG.				
DRAWN BY	DATE	SCALE	GENERAL TOLERANCE	CONDUCTOR SIZE	
				STRANDED	FLEXIBLE
JFP	JUL 190	N.T.S.			

Compression Terminals & Tools Ltd.  
178 Horwell Road  
Bristol BS8 4RP England  
Tel: Bristol (0272) 277720 - 16 lines  
Telex 44879