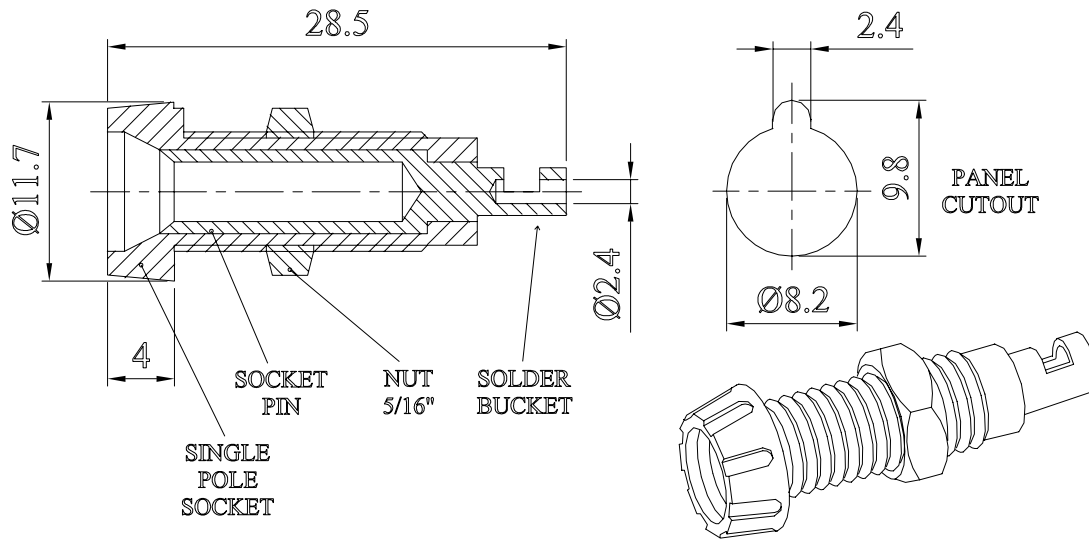


Rigid panel mounting socket retained in place by a nut, which accepts 4mm diameter plugs. Is suitable for panels up to 13,5mm thick. Connection is via a solder bucket, although a solder tag version is available.

MATERIAL SINGLE POLE SOCKET SOCKET PIN : Polypropylene
 : Brass, BS2874 CZ121M bright tin lead plated
 NUT : Brass, BS2874 nickel plated
 Rating : 10 Amps
 Nominal Working Voltage : 250 Volts R.M.S.
 Absolute Max. Rating : 1500 Volts D.C.
 Contact Resistance : less than 10 milli-ohms

Dimensions



COLOUR	ORDER CODE
BLACK	563-0100
BLUE	563-0200
BROWN	563-0300
GREEN	563-0400
RED	563-0500
WHITE	563-0600
YELLOW	563-0700

CONVERTED FROM PS0178 ISS6 (11.12.95) IN JAN 2003

DrgNo 563 SERIES TITLE PANEL MOUNTING SOCKET ALL DIMENSIONS IN MM ANGLES IN DECIMAL DEGREES

	ISSUE 6	GENERAL SPECIFICATION FOR 563 SERIES	CUSTOMER		FILTER REF	
			Aprvd Date 10/02/03	Aprvd By MC	Drwn by BFS	Scale: NTS