



**Flight LT**      **-CR0205LB-G50-032600-**      **No**  
**25x10**  
 (Family)                      (Model)                      (Part #)                      (In Stock)

### Electrical Specifications

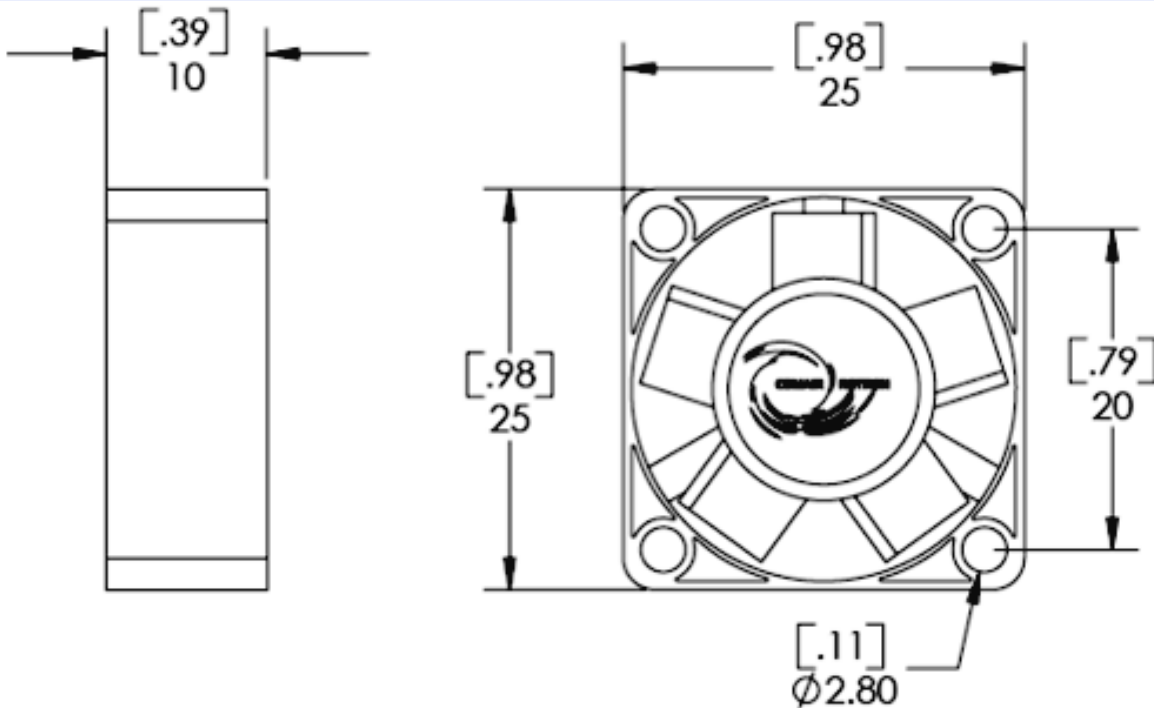
Operating Voltage:	5 Volts
Voltage Range:	4.5 - 5.5 Volts
Power Supply:	0.5 Watts
Line Current:	0.10 Amps
Locked Rotor Current	0.14 Amps
Nominal Speed:	8000 RPM

### Mechanical Specifications

Dimensions:	1.0 x 1.0 x 0.4 in
Weight	0.25 oz
Max Airflow @ 0 in H <sub>2</sub> O	1.6 CFM
Max Pressure @ 0 CFM	0.105 in H <sub>2</sub> O
Noise	15.6 dBA



### Mechanical Drawing



**Comair Rotron, Inc.**

**Phone: 858.348.6200**

**sales@comairrotron.com**

**Comair Rotron Europe, Ltd.**

**Phone: +44.1527.520525**

**saleseurope@comairrotron.com**

**Comair Rotron Fan Company Ltd.**

**Phone: +86.21.52260581**

**salesasia@comairrotron.com**

**Print Date: Monday, February 18, 2008 at 06:50:08 - DC Fan Datasheet - Web Version 1.0 Rev. B**



## Fan Performance Curve

## Fan Configuration Options

**Flight LT 25x10**  
(Family)

**CR0205LB-G50**  
(Model)

**/ 032600**  
(Part #)

**No**  
(In Stock)

<b>Fan Speed:</b>	<b>8000 RPM</b>	<b>Fan Bearings:</b>	<b>Ball Bearings</b>
<b>Fan Airflow Direction:</b>	<b>Flow R (CCW Rotation)</b>	<b>Fan Termination:</b>	<b>Leads</b>

**Fan Monitoring Options:** No Fan Monitoring Options Selected

**Fan Speed Control Option:** No ThermaPro-V Fan Speed Control Options Selected

**Environmental Protection Options:** No Enviroshield Options Selected

**Comair Rotron, Inc.**  
Phone: 858.348.6200  
sales@comairrotron.com

**Comair Rotron Europe, Ltd.**  
Phone: +44.1527.520525  
saleseurope@comairrotron.com

**Comair Rotron Fan Company Ltd.**  
Phone: +86.21.52260581  
salesasia@comairrotron.com

Print Date: Monday, February 18, 2008 at 06:50:08 - DC Fan Datasheet - Web Version 1.0 Rev. B



**Comair Rotron, Inc.**  
**Phone: 858.348.6200**  
**sales@comairrotron.com**

**Comair Rotron Europe, Ltd.**  
**Phone: +44.1527.520525**  
**saleseurope@comairrotron.com**

**Comair Rotron Fan Company Ltd.**  
**Phone: +86.21.52260581**  
**salesasia@comairrotron.com**

**Print Date: Monday, February 18, 2008 at 06:50:08 - DC Fan Datasheet - Web Version 1.0 Rev. B**