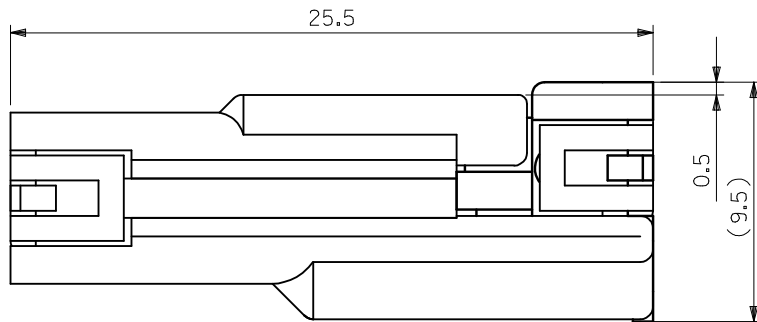
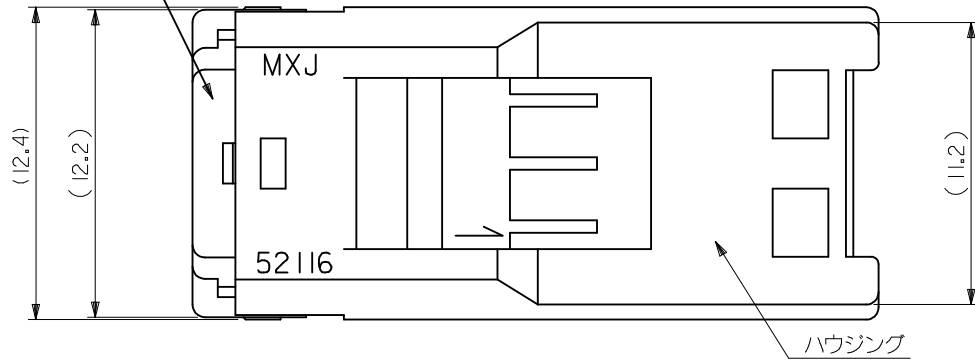


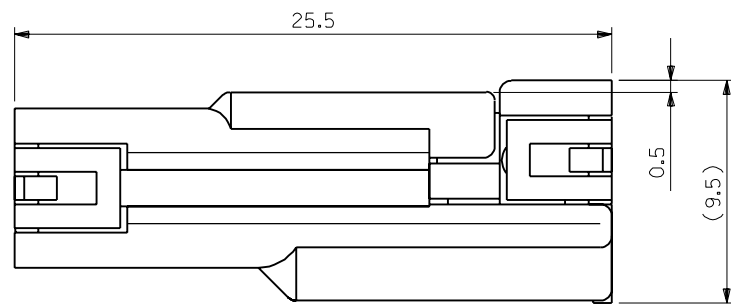
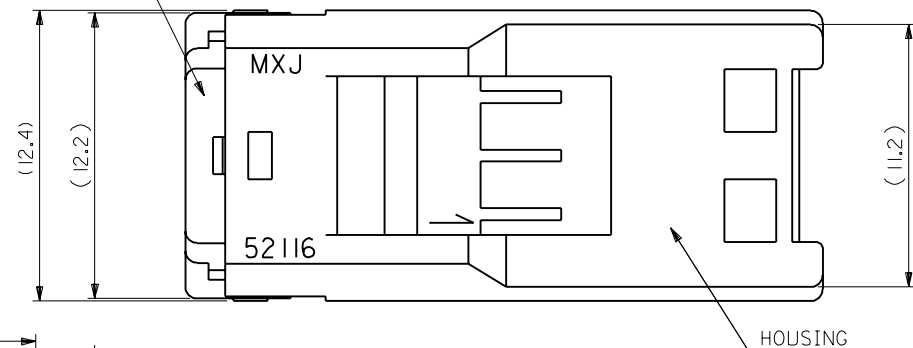
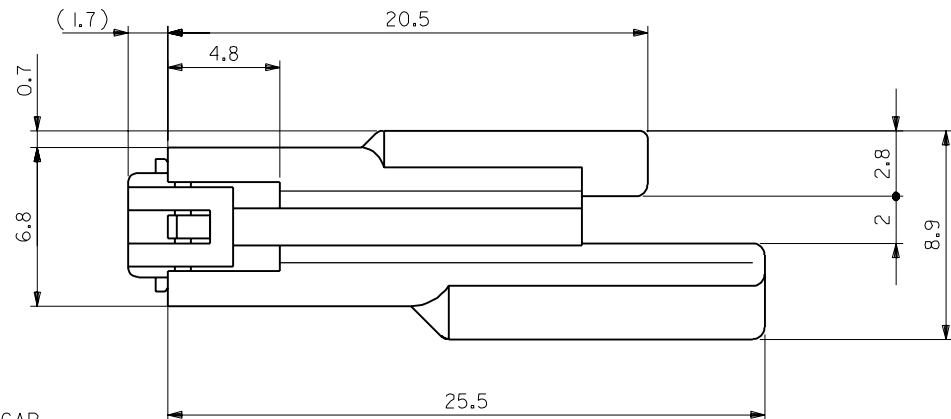
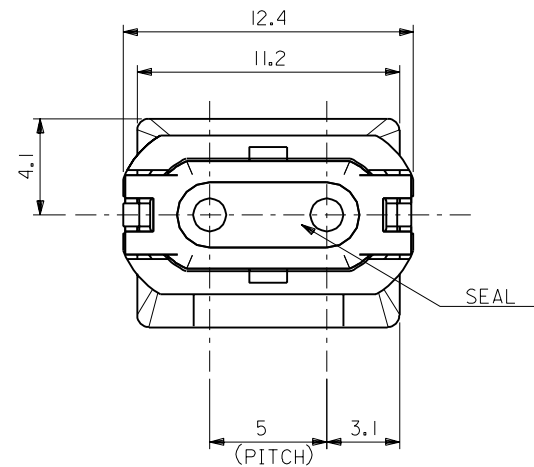
- 1.適合ターミナル: 50038-8*00
APPLICABLE TERMINAL: 50038-8*00
- 2.材料
MATERIAL
キャップ: ポリエステル(ガラス入り)
CAP: POLYESTER(GLASS FILLED)
ハウジング: ポリエステル(ガラス入り)
HOUSING: POLYESTER(GLASS FILLED)
シール: シリコンゴム
SEAL: SILICONE RUBBER
- 3.嵌合相手: 52117-02**
MATE WITH: 52117-02**
- 4.表の色はハウジング色を表す.
HOUSING COLOR IS SHOWN IN CHART
- 5.ELV及びRoHS適合品
ELV AND RoHS COMPLIANT



嵌合状態図
FULLY MATED CONDITION

AVSS0.3, AWG#20-22	白 WHITE	52116-0243
AVS0.3, AWG#20-22	赤 RED	52116-0242
AVS0.3, AWG#20-22	黒 BLACK	52116-0241
AVS0.3, AWG#20-22	白 WHITE	52116-0240
適応電線範囲 APPLICABLE WIRE RANGE		色 COLOR ENG. NO.

REVISED EC NO: JTR2009-0109 DRWN:SHIBATA 2009/03/31 CHKD:TAITO 2009/03/31 APPR:AKANEHIGE 2009/04/03	GENERAL TOLERANCES (UNLESS SPECIFIED)		DIMENSION STYLE MM ONLY		SCALE 5:1	DESIGN UNITS METRIC	THIRD ANGLE PROJECTION
	10 UNDER	±0.2	DRAWN BY Y. ASHIZAWA	DATE 1988/7/8	TITLE 2.5 SPLASH PROOF CONN. PLUG HSG ASSY W/POSITIVE LOCK		
	10 OVER 30 UNDER	±0.25	CHECKED BY M. SAKANO	DATE 1988/7/8	MOLEX INCORPORATED		
	30 OVER	±0.3	APPROVED BY M. ENOMOTO	DATE 1988/7/8	DOCUMENT NO. SD-52116-02**	SHEET NO. 1 OF 1	
	ANGULAR ±3 °	DRAFT WHERE APPLICABLE MUST REMAIN WITHIN DIMENSIONS		SEE CHART			
		THIS DRAWING CONTAINS INFORMATION THAT IS PROPRIETARY TO MOLEX INCORPORATED AND SHOULD NOT BE USED WITHOUT WRITTEN PERMISSION					



FULLY MATED CONDETION

- NOTES**
- ACCEPTS CRIMP TERMINAL:50038-8*00
 - MATE'L :
 CAP ;POLYESTER(15%G.F.)
 HOUSING;POLYESTER(15%G.F.)
 SEAL ;SILICONE
 - MATES WITH:52117-02**
 - COLOR IN THE CHART INDICATES HOUSING COLOR

AVSO.3, AWG*20-22	RED	52116-0242
AVSO.3, AWG*20-22	BLACK	52116-0241
AVSO.3, AWG*20-22	WHITE	52116-0240
WIRE RANGE	COLOR	ENG. NO.

材料 MATERIAL		SEE NOTES	molex MOLEX-JAPAN CO.,LTD. 日本モレックス株式会社	
仕上げ FINISH		//	EDP. NO. //	
適用電線範囲 WIRE RANGE		SEE CHART	ENG. NO.	REV
被覆外径 INS. RANGE		φ1.8-1.9	SD-52116-02**	A
DRAWN BY 7/8/88		CHK'D BY	TITLE 名称	
Y.ASHIZAWA		M.SAKANO	2.5 SPLASH PROOF CONN. PLUG HS'G	
APP'D BY		尺度	ASS'Y W/POSITIVE LOCK	
M.ENOMOTO		5-1		
REVISION RECORD				
角度 ANGLE	±3°	A	REVISED (J9021B)	3/16/89
30以上 OVER	+0.3	O	RELEASED(J80600)	7/8/88
10以上 30未滿 UNDER	+0.25			
10未滿 UNDER	+0.2			
一般公差 GENERAL TOLERANCES		REVISION RECORD		