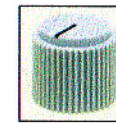


P/N	A	B	C	D	E	SHAFT
CP-AE14-6-T18	13.8	16.6	14.6	0.0	9.5	T18
CP-AE14-6-S(6.0)h	13.8	16.6	14.6	0.0	9.5	6.0 SCREW
CP-AE14-6-S(6.4)h	13.8	16.6	14.6	0.0	9.5	6.4 SCREW
CP-AE18-5-T18	18.4	17.4	16.2	2.4	14.7	T18
CP-AE18-6-T18	18.4	17.4	16.2	2.4	14.7	T18
CP-AE18-7-T18	18.4	17.4	16.2	2.4	14.7	T18
CP-AE18-01-T18	18.4	17.4	16.2	2.4	14.7	T18

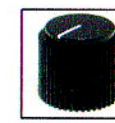
CP-AE14



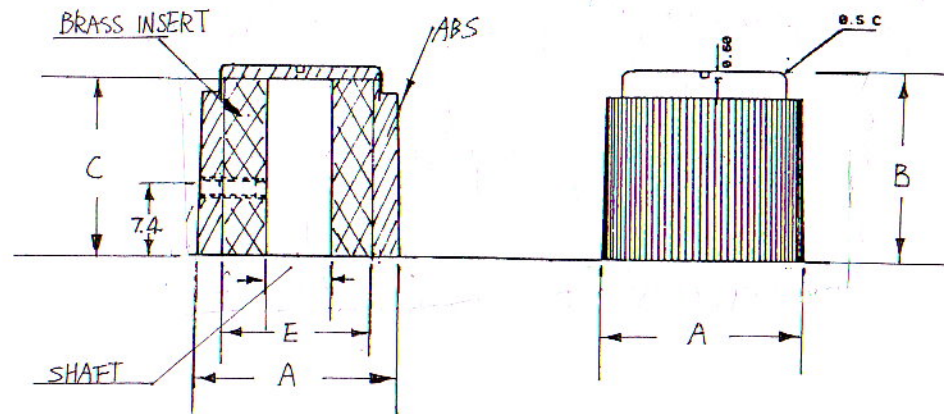
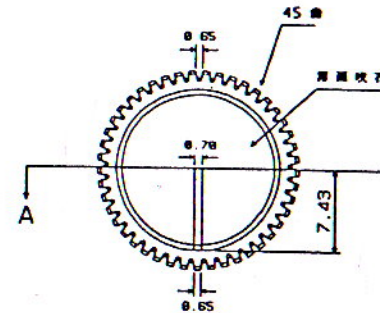
CP-AE18-5-T18



CP-AE18-6-T18



CP-AE18-7-T18



嘉信旋鈕股份有限公司  
CHIA SHIN KNOBS CO., LTD.  
351, YUNGHO ROAD,  
CHUNGHO CITY,  
TAIPEI HSIEN,  
TEL:(02)2225-1216~7  
FAX:(02)2222-7312

Material: PLASTIC  
Tolerance: +/-0.20  
Unit : mm

P/N:	
CHIA SHIN P/N:	CP-AE SERIES

Date: 1-Sep-07