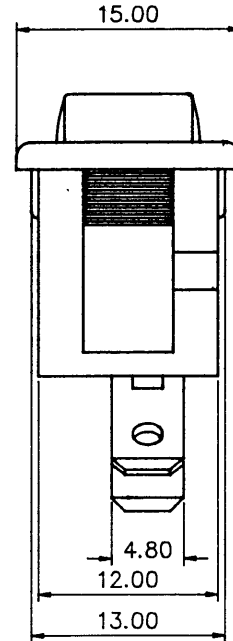
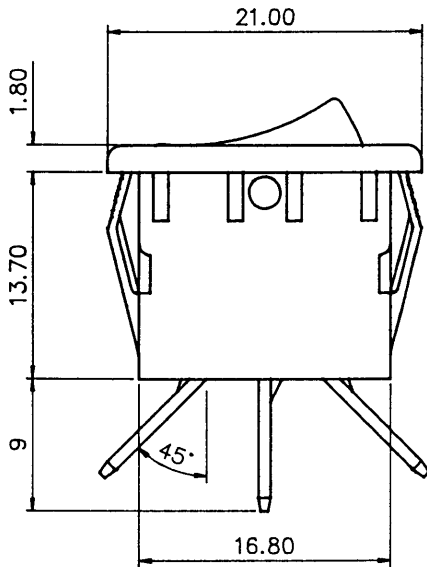
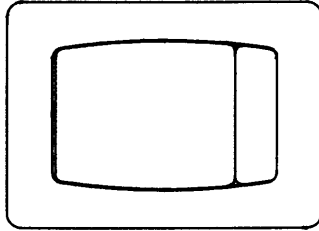
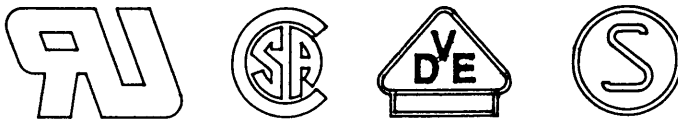


© COPYRIGHT 1998 BY SPC TECHNOLOGY. ALL RIGHTS RESERVED. NO PORTION OF THIS PUBLICATION, WHETHER IN WHOLE OR IN PART CAN BE REPRODUCED WITHOUT THE EXPRESS WRITTEN CONSENT OF SPC TECHNOLOGY.

REVISIONS			DOC. NO. SPC-F004, Total Pages: 2 Effective: 7/15/97. DCP No: 229 Supersedes DCP No: 103					
DCP #	REV	DESCRIPTION	DRAWN	DATE	CHECKD	DATE	APPRVD	DATE



APPROVALS



SPC-F004.DWG

**DISCLAIMER:**  
ALL STATEMENTS AND TECHNICAL INFORMATION CONTAINED HEREIN ARE BASED UPON INFORMATION AND/OR TESTS WE BELIEVE TO BE ACCURATE AND RELIABLE. SINCE CONDITIONS OF USE ARE BEYOND OUR CONTROL, THE USER SHALL DETERMINE THE SUITABILITY OF THE PRODUCT FOR THE INTENDED USE AND ASSUME ALL RISK AND LIABILITY WHATSOEVER IN CONNECTION THEREWITH.

**multicomp**

DRAWN BY:	DATE:
CHECKED BY:	DATE:
APPROVED BY:	DATE:

DRAWING TITLE:  
ROCKER SWITCH MC 36328-011-01 23B

MULTICOMP PN:  
157-776

SIZE DWG. NO.

ELECTRONIC FILE

REV

SCALE: 2 : 1

U.O.M.:

SHEET: 1 OF