

Subminiature and Microminiature D Connectors

↳ Standard Board Mount Connectors

AMP 1-106505-2  [Active](#) [Not Reviewed for ELV/RoHS Compliance](#)

(Tyco Electronics P/N: 1-106505-2)

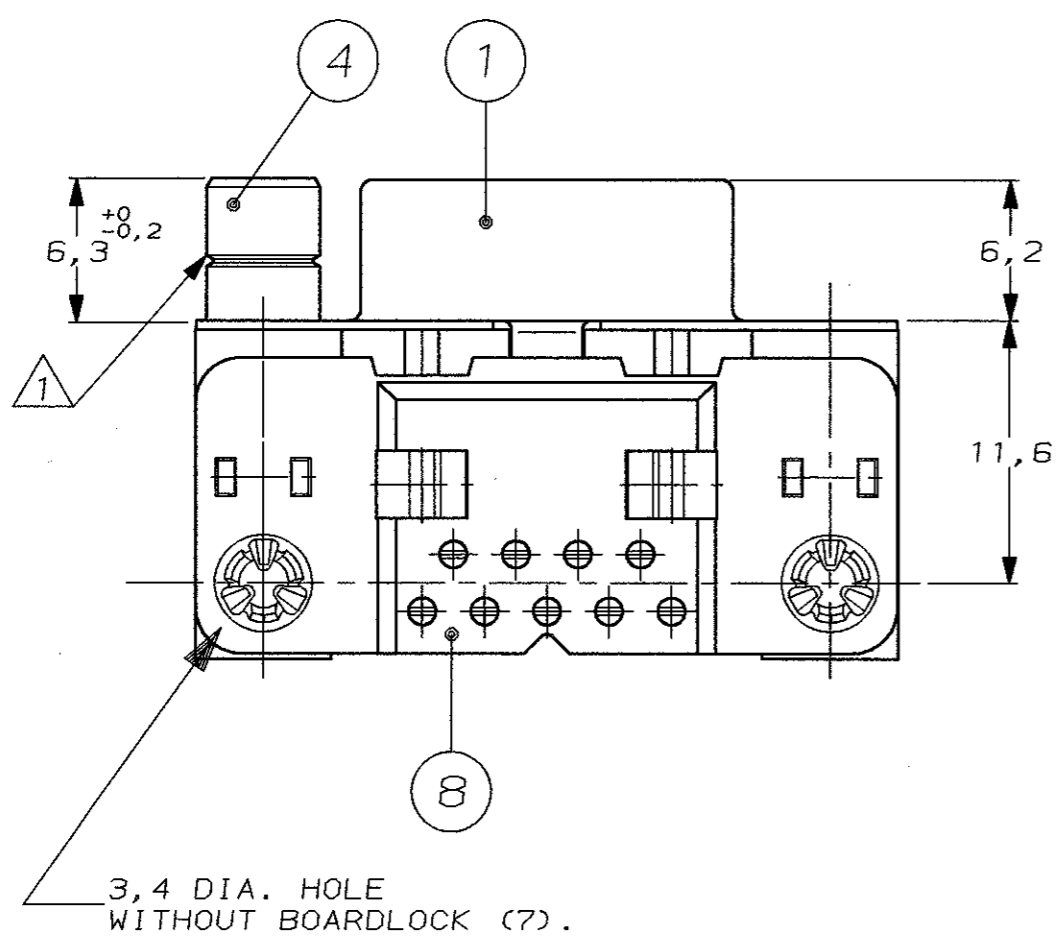
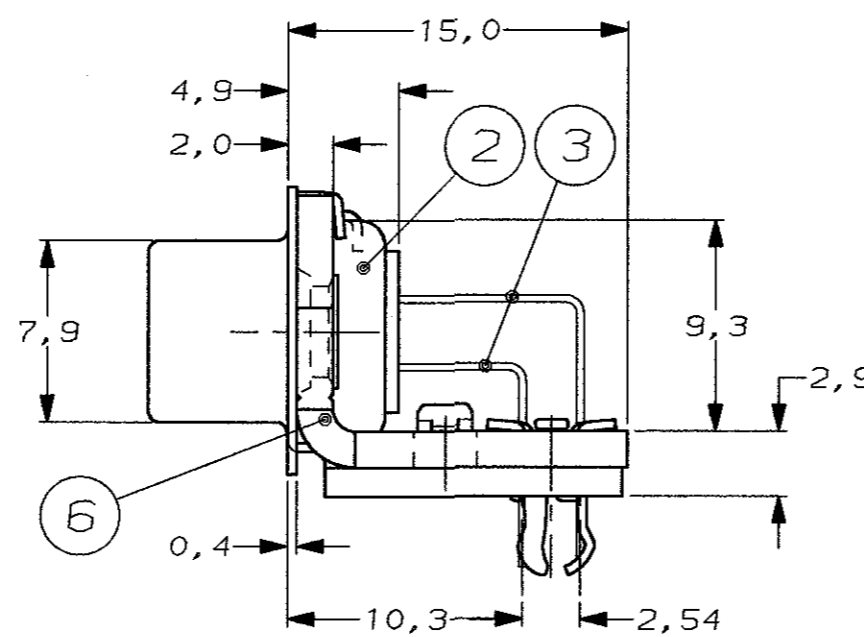
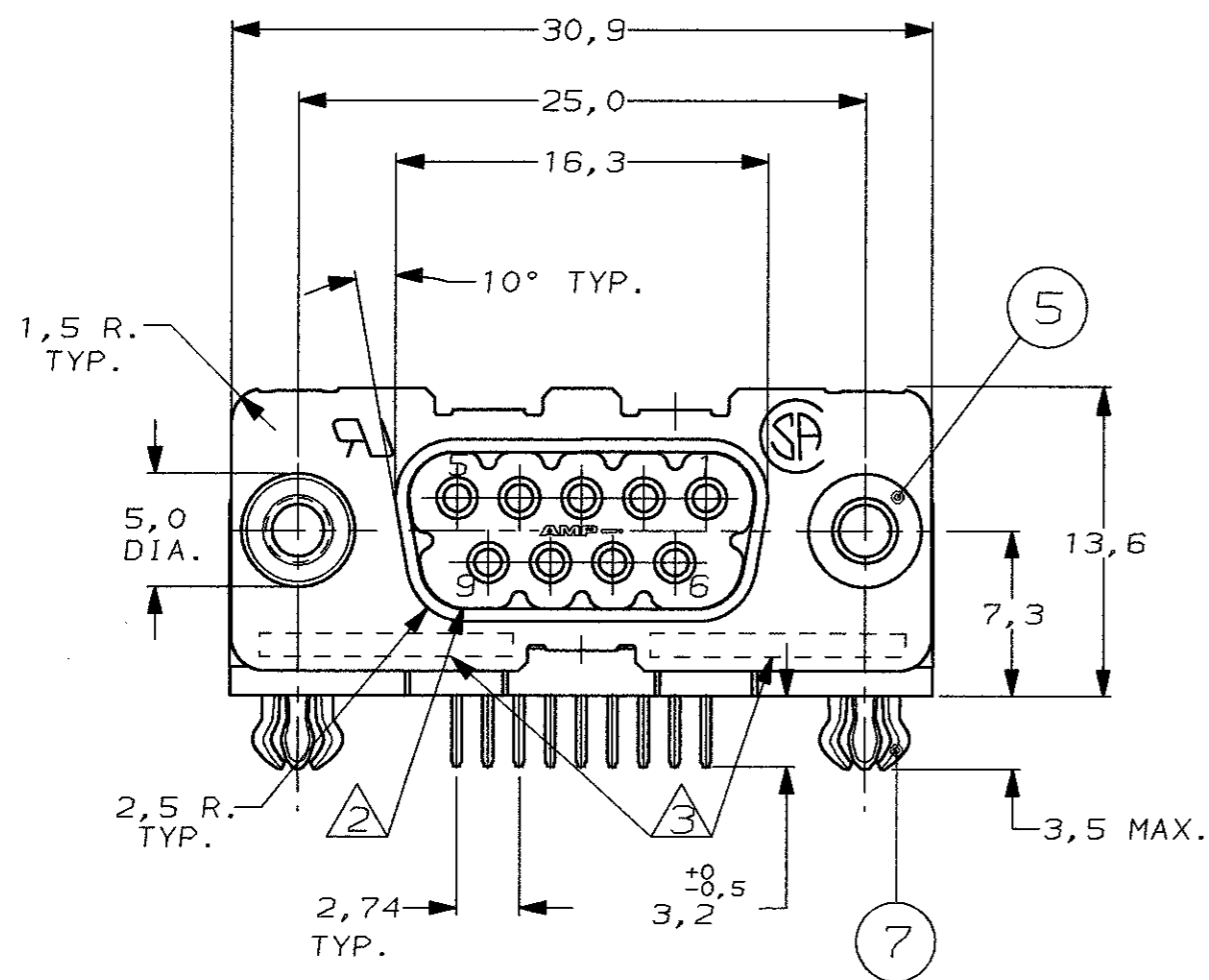
Searchable Features:

Brand:	AMP
No. of Positions:	9
Gender:	Receptacle
PCB Mount Angle:	Right Angle
Mating Connector Lock:	With
Mating Connector Lock Type:	Threaded Insert, 4-40 UNC
PCB Retention Feature:	With
PCB Retention Method Feature:	Boardlocks
Shell Type:	Full Metal
Shell Size:	1
Panel Attachment:	No
Grounding Clips:	Without

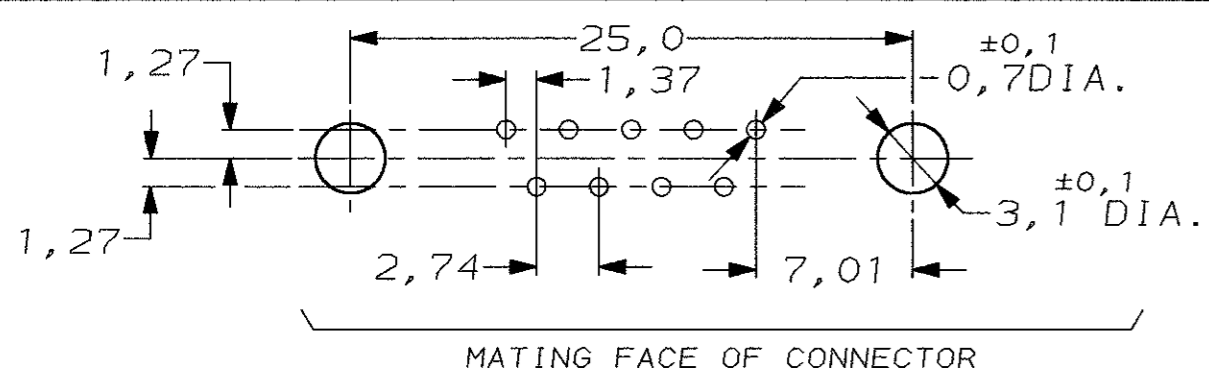
Other Properties:

Sealed:	No
Application:	Standard
Color:	Black
Housing Material:	Glass-Filled Polyester
Contact Material:	Phosphor Bronze
Shell Material:	Steel
Shell Plating:	Tin
Approved Standards:	DIN 41652
Performance Level:	Level 2

Footprint (mm [in]):	10.31 [.406]
Termination Post Length (mm [in]):	3.20 [0.126]
PCB Thickness (in [mm]):	0.062 [1.57]
Contact Mating Area Plating:	AMP-DURAGOLD over Nickel
Solder Tail Plating:	Bright Tin-Lead
Grounding Indents:	Without
Grounding Straps:	Without
PCB Mount Style:	Thru Hole
Product Series:	HD 20
Color Code:	None
Region:	Americas



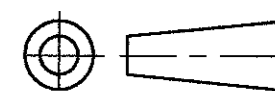
RECOMMENDED P.C. BOARD HOLE-LAYOUT



DO NOT SCALE

METRIC

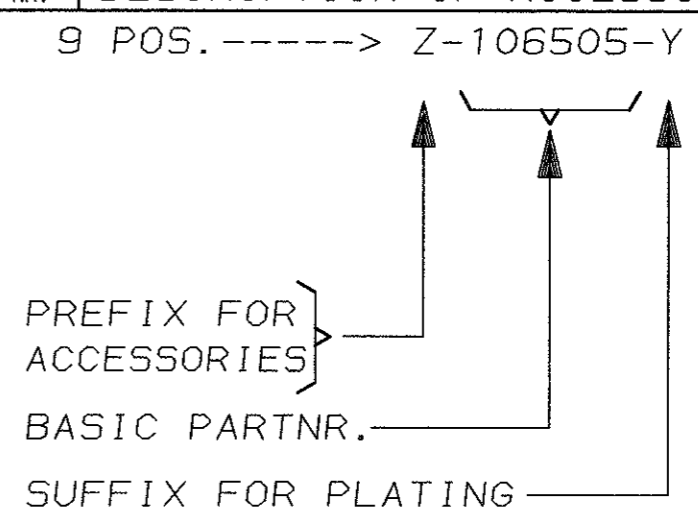
THIRD ANGLE PROJECTION



DIMENSIONS IN mm

ACCESSORIES PREFIX "Z"	ITEM NR.	DESCRIPTION OF ACCESSORY	G								
	5	BUSHING WITH THROUGH HOLE 3,1 DIA.	2	2	2	2	2	2	2	2	2
5	BUSHING WITH INNER THREAD 4-40 UNC	2	2	2	2	2	2	2	2	2	
5	BUSHING WITH INNER THREAD M3	2	2	2	2	2	2	2	2	2	
4	FEMALE SCREWLOCK WITH 4-40 UNC	2	2	2	2	2	2	2	2	2	
4	FEMALE SCREWLOCK WITH M3	2	2	2	2	2	2	2	2	2	
7	BOARDLOCK	2	2	2	2	2	2	2	2	2	

HOW TO ORDER:



PLATING SUFFIX "Y"

PLATING SUFFIX "Y"	DESCRIPTION	Y
GOLD OVER NICKEL AS PER PERFORMANCE LEVEL 1 (DIN 41652) SOLDERPART : 2,5µm BRIGHT SnPb.	-Y = -1	-1
GOLD OVER NICKEL AS PER PERFORMANCE LEVEL 2 (DIN 41652) SOLDERPART : 2,5µm BRIGHT SnPb.	-Y = -2	-2
-	-	-

NOTES :

- ① GROOVE INDICATES VERSION WITH 4-40 UNC INNER THREAD; WITHOUT GROOVE INDICATES VERSION WITH M3 INNER THREAD.
- ② CAVITY IDENTIFICATION AT FRONT SIDE ONLY.
- ③ PARTNUMBER AND DATE CODE.

ITEM NRS./MATERIAL :

- ① SHELL : BRIGHT TINPLATED STEEL
- ② HOUSING : GLASSFILLED POLYESTER, COLOR : BLACK
- ③ CONTACTS : PHOSPHORBRONZE (PLATING : SEE TABLE ABOVE)
- ④ FEMALE SCREWLOCK : TINPLATED STEEL (INNER THREAD 4-40 UNC OR M3)
- ⑤ BUSHING : TINPLATED STEEL (INNER THREAD 4-40 UNC OR M3 OR 3,1 DIA THRU-HOLE)
- ⑥ BRACKET : TINPLATED STEEL
- ⑦ BOARDLOCK : TINPLATED PHOSPHORBRONZE
- ⑧ POST ALIGNMENTPLATE : GLASSFILLED POLYESTER, COLOR : BLACK

CUSTOMER DRAWING				FOR REFERENCE ONLY WILL NOT BE UPDATED	
© COPYRIGHT 19- BY AMP-HOLLAND B.V. ALL INTERNATIONAL RIGHTS RESERVED. AMP PRODUCTS MAY BE COVERED BY U.S. AND FOREIGN AND/OR PATENTS PENDING. THIS DRAWING IS UNPUBLISHED RELEASED FOR PUBLICATION					
AMP AMP-HOLLAND B.V. 's-Hertogenbosch, The Netherlands.					
NAME HD-20 SIZE 1 RIGHT ANGLE RECEPTACLE HEADER; MARK II+					
G	EH-0033-99	D.R.	W.S.	14 JAN 99	
LTR.	REVISION RECORD	DR.	CHK.	DATE	
DR. : D. KESSLER	CHK. : W. SOOMERS	APP. :			
DATE: 14 JAN 99	DATE:	DATE:			
DWG. No. C-106505		REV. LTR. G	SHEET 1 of 1	A2	