

4

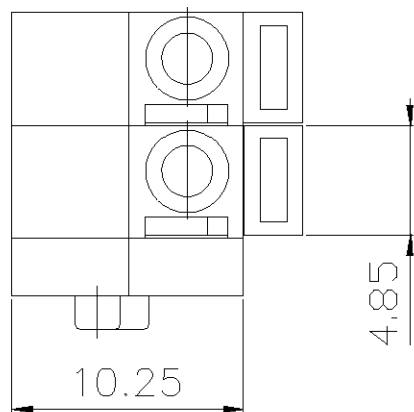
3

2

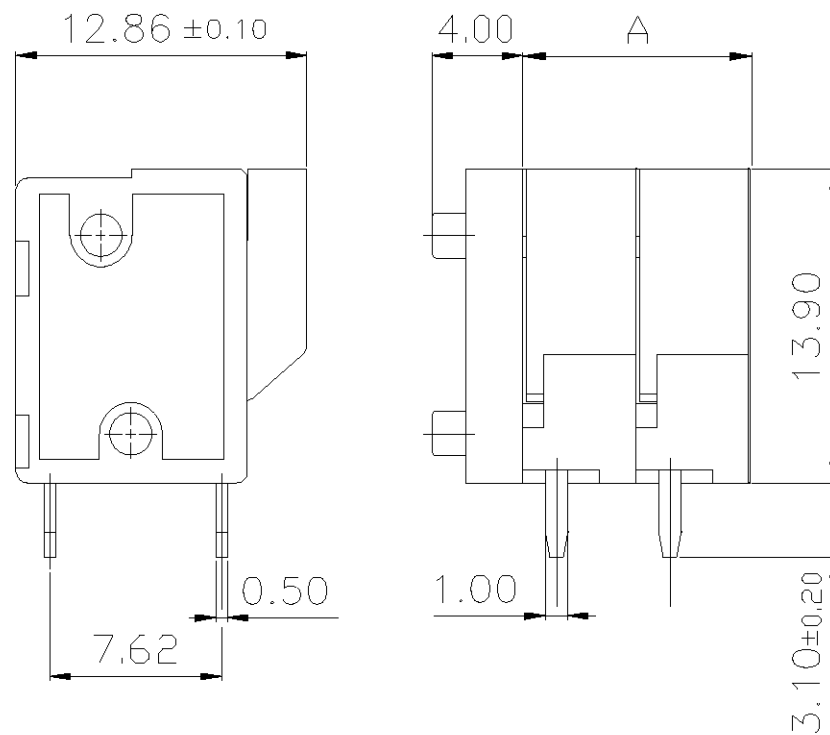
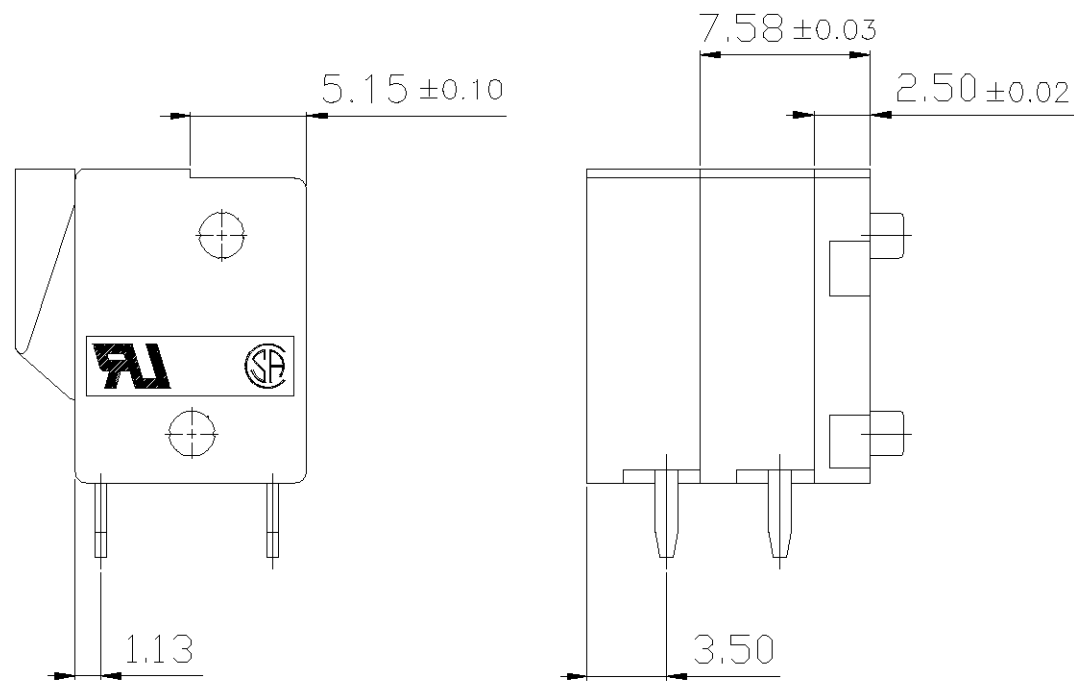
1

THIS DRAWING IS UNPUBLISHED. RELEASED FOR PUBLICATION
© COPYRIGHT - BY TYCO ELECTRONICS CORPORATION. ALL RIGHTS RESERVED.

LOC	DIST	REVISIONS					
		P	LTR	DESCRIPTION	DATE	DWN	APVD
FT	0		A	RELEASED	-	EZ	-



NOTES:
1. ALL DIMENSIONS ARE IN MMS.



60.96	12	1-796461-2
55.88	11	1-796461-1
50.80	10	1-796461-0
45.72	9	796461-9
40.64	8	796461-8
35.56	7	796461-7
30.48	6	796461-6
25.40	5	796461-5
20.32	4	796461-4
15.24	3	796461-3
10.16	2	796461-2
DIM. A	NO. OF POS.	PART NUMBER

796461-2 AS SHOWN

THIS DRAWING IS A CONTROLLED DOCUMENT.		DWN E. ZANOLINI 29JAN01	 Tyco Electronics Corporation Harrisburg, PA 17105-3608			
DIMENSIONS: MM		CHK E. ZANOLINI 19JAN01				
TOLERANCES UNLESS OTHERWISE SPECIFIED:		APVD D. BIEVENOUR 19JAN01	NAME			
 0 PLC ± - 1 PLC ± - 2 PLC ± 0.08 3 PLC ± - 4 PLC ± - ANGLES ± -		PRODUCT SPEC	BOARD MT. SCREWLESS TOP WIRE ENTRY TERMINAL BLOCK (LT)			
MATERIAL		APPLICATION SPEC	SIZE	CAGE CODE	DRAWING NO	RESTRICTED TO
FINISH		WEIGHT	A3	00779	©=796461	-
CUSTOMER DRAWING			SCALE	SHEET	REV	
			3:1	1 OF 2	A	

THIS DRAWING IS UNPUBLISHED. RELEASED FOR PUBLICATION
 © COPYRIGHT BY TYCO ELECTRONICS CORPORATION. ALL RIGHTS RESERVED.

LOC	DIST	REVISIONS			
P	LTR	DESCRIPTION	DATE	DWN	APVD
FT	0	SEE PAGE 1	-	EZ	-

1. Application and Features:

- 1-1. This screwless terminals are suitable for both solid and flexible conductors.
- 1-2. A spring made of stainless strip steel guarantees for permanent and safe contact.
- 1-3. The type is operated by pushing a screwdriver on the level. This lever is fully integrated into the body.
- 1-4. It is equipped with a cover for easy hand adjustment.

2. Technical Data:

2-1. Material:

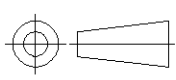
- 2-1-1. HOUSING: NYLON FR15, (Without Glass), UL 94 V-0 (Green).
- 2-1-2. Contact: Brass(Cu Zn) Ni,Tin plated.
first 50u" (min) Ni plated over all.
last 120u" (min) Tin plated over all.
- 2-1-3. Metal Plate: Stainless strip steel.

2-2. Electrical:

- 2-2-1. Current rating: 15 Amp 300VAC.
- 2-2-2. Dielectric withstanding voltage: 2000VAC (min).
- 2-2-3. Insulation resistance: 500MΩ more at 500VAC.
- 2-2-4. Wire Range: 14-22AWG.

2-3. Mechanical:

- 2-3-1. Wire retention force: 1.2 Kg (min).
- 2-3-2. Operating temperature: -55°C to +105°C.
- 2-3-3. Solderability: 95% coverage (min).

THIS DRAWING IS A CONTROLLED DOCUMENT.		DWN E. ZANOLINI 29JAN01	tyco Tyco Electronics Corporation	
DIMENSIONS: MM		CHK E. ZANOLINI 29JAN01	Electronics Harrisburg, PA 17105-3608	
	TOLERANCES UNLESS OTHERWISE SPECIFIED:	APVD D.BIEVENOUR 29JAN01	NAME BOARD MT. SCREWLESS 5.08mm TOP WIRE ENTRY TERMINAL BLOCK (LT)	
	0 PLC ± - 1 PLC ± - 2 PLC ± - 3 PLC ± - 4 PLC ± - ANGLES ± -	PRODUCT SPEC -	SIZE CAGE CODE DRAWING NO RESTRICTED TO A3 00779 C=796461 -	
MATERIAL -	FINISH -	WEIGHT -	CUSTOMER DRAWING	
		SCALE 1:1	SHEET 2 OF 2	REV A