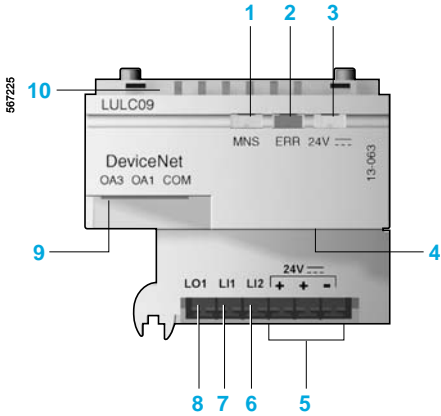


TeSys motor starters - open version

TeSys U starter-controllers

DeviceNet communication module and pre-wired coil connection components



- 1 LED indicating module status
- 2 Fault signalling LED
- 3 LED indicating 24 V supply ON for outputs OA1, OA3 and LO1 and 24 V bus
- 4 DeviceNet connector for bus link
- 5 24 V supply connection
- 6 Discrete input
- 7 Discrete input
- 8 Discrete output
- 9 Outputs for starter-controller commands (non-reversing and reversing)
- 10 Pin for connection to control unit (advanced or multifunction)

Presentation

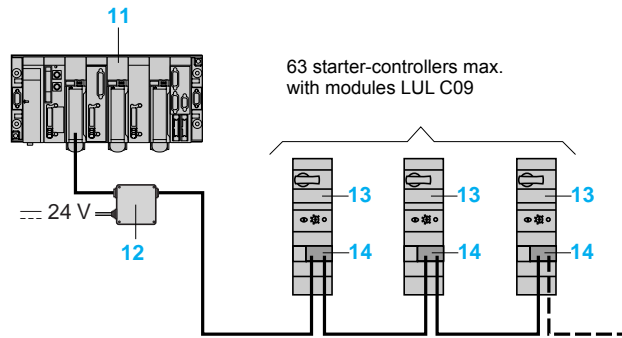
When used in conjunction with the power base and control unit, communication module LUL C09 allows TeSys U starter-controllers and controllers to be controlled via DeviceNet.

Communication module LUL C09 is of the slave type and uses the TeSys U system's internal registers which can be accessed via DeviceNet.

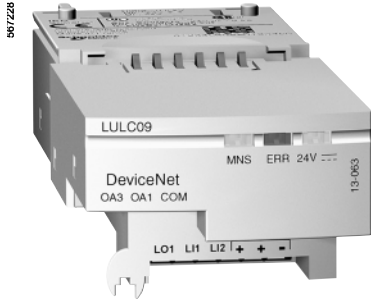
Module LUL C09 has a configurable 24 V (0.5 A) discrete output and two configurable discrete inputs.

Connections

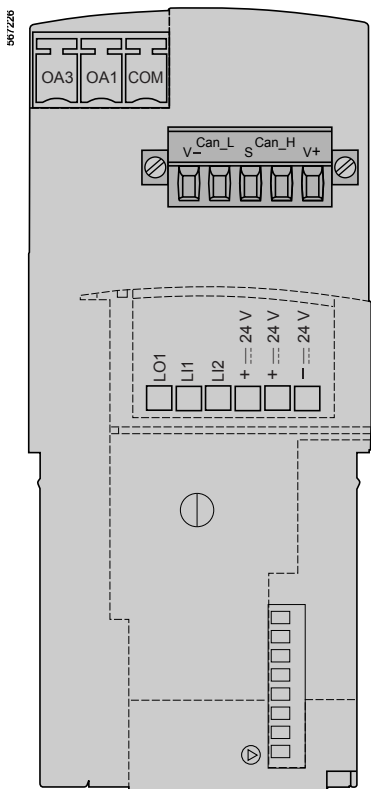
Serial bus topology



- 11 Industrial PLC: Industrial Programmable Controller equipped with a DeviceNet Master.
- 12 Connection and power distribution box for supply to DeviceNet communication modules.
- 13 Starter-controller.
- 14 DeviceNet communication module LUL C09.



LUL C09



Connection of power supplies

Information carried by the bus

Depends on the type of control unit used with module LUL C09.

Compatibility of DeviceNet LUL C09 communication module with 24 V control units

Information accessible via DeviceNet	LUL C09 in conjunction with:		
	LUCA ●●BL Standard control unit	LUCB/C/D ●●BL Advanced control unit	LUCM ●●BL Multifunction control unit
Starter status (ready, running, fault)			
Start and Stop commands			
Thermal overload alarm			
Remote reset via the bus			
Indication of motor load			
Fault signalling and differentiation			
Remote programming and monitoring of all functions			
“Log” function			
“Monitoring” function			
Alarms (overcurrent, ...)			

Functions performed

References

Description	Item	Reference	Weight kg
DeviceNet communication module	14	LUL C09	0.108

Connection of communication module output terminals to the coil terminals

By pre-wired connector or wire link.

■ Pre-wired connector: pre-wired coil connection

The use of a power base without pre-wired control circuit connections is recommended.

Description	For use with power base	Reference	Weight kg
Pre-wired coil connection	LUB ●●	LU9B N11L	0.050
	LU2B ●●●●	LU9M RL	0.450

■ Wire link:

Allows insertion, for example, of an emergency Stop control or a voltage interface. This type of connection must be used for a reversing starter-controller assembled using an LU6M reverser block.

When this reverser block and the power base are mounted side-by-side, a pre-wired coil connection LU9M RL may be used.

Supply

The 24 V supply to DeviceNet LUL C09 modules is provided via the (V+ , V-) terminals.

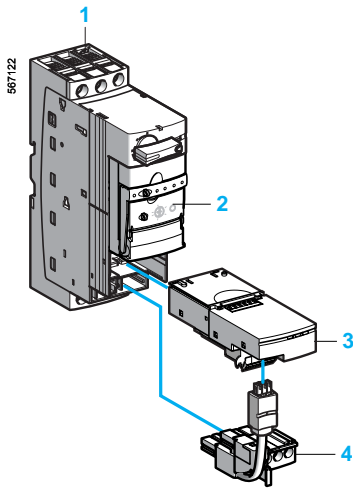
The 24 V supply for the inputs/outputs must be provided separately from the supply to the LULC09 modules.

The 24 V Aux terminal is for supply to the LUCM control unit or the LUTM controller.

TeSys motor starters - open version

TeSys U starter-controllers

DeviceNet communication module and pre-wired coil connection components



LUB + LUC ●●●BL
+ LUL C09 + LU9B N11L

Compatibility of DeviceNet communication module LUL C09 with starter-controller LUB 12 / LUB 32

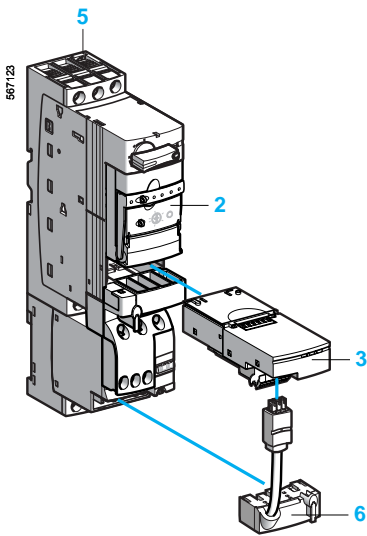
Maximum power ratings 50/60 Hz 400/415 V	1	2	or			3	4
	Power base	Standard control unit	Advanced control unit		Multifunction control unit	DeviceNet module	Pre-wired coil connection, non-reversing
	Non-reversing	Class 10	Class 10	Class 20	Class 5...30		
Kw							
0.09	LUB 12 or LUB 32	LUC A6XBL	LUC B6XBL	LUC D6XBL	LUC M6XBL	LUL C09	LU9 BN11L
0.25	LUB 12 or LUB 32	LUC A1XBL	LUC B1XBL	LUC D1XBL	LUC M1XBL	LUL C09	LU9 BN11L
1.5	LUB 12 or LUB 32	LUC A05BL	LUC B05BL	LUC D05BL	LUC M05BL	LUL C09	LU9 BN11L
5.5	LUB 12 or LUB 32	LUC A12BL	LUC B12BL	LUC D12BL	LUC M12BL	LUL C09	LU9 BN11L
7.5	LUB 32	LUC A18BL	LUC B18BL	LUC D18BL	LUC M18BL	LUL C09	LU9 BN11L
15	LUB 32	LUC A32BL	LUC B32BL	LUC D32BL	LUC M32BL	LUL C09	LU9 BN11L

Note: DeviceNet communication module LUL C09 is compatible with LUT M controllers.

TeSys motor starters - open version

TeSys U starter-controllers

DeviceNet communication module and pre-wired coil connection components



LU2B + LUC ●●●BL
+ LUL C09 + LU9M RL

Compatibility of DeviceNet communication module LUL C09 with starter-controller LU2B 12 / LU2B 32

Maximum power ratings 50/60 Hz 400/415 V	5	2	or		3	6	
	Power base	Standard control unit	Advanced control unit		Multifunction control unit	DeviceNet module	Pre-wired coil connection, reversing
	Reversing	Class 10	Class 10	Class 20	Class 5...30		
Kw							
0.09	LU2B 12BL or LU2B 32BL	LUC A6XBL	LUC B6XBL	LUC D6XBL	LUC M6XBL	LUL C09	LU9 MRL
0.25	or LU2B 12BL LU2B 32BL	LUC A1XBL	LUC B1XBL	LUC D1XBL	LUC M1XBL	LUL C09	LU9 MRL
1.5	LU2B 12BL or LU2B 32BL	LUC A05BL	LUC B05BL	LUC D05BL	LUC M05BL	LUL C09	LU9 MRL
5.5	LU2B 12BL or LU2B 32BL	LUC A12BL	LUC B12BL	LUC D12BL	LUC M12BL	LUL C09	LU9 MRL
7.5	LU2B 32BL	LUC A18BL	LUC B18BL	LUC D18BL	LUC M18BL	LUL C09	LU9 MRL
15	LU2B 32BL	LUC A32BL	LUC B32BL	LUC D32BL	LUC M32BL	LUL C09	LU9 MRL

Note: DeviceNet communication module LUL C09 is compatible with LUT M controllers.