



# PROFESSIONAL QUALITY MULTIPOLE CONNECTOR (8000 SERIES) - CABLE PLUG

Sheet No. **PS 0858**

Date : 16.09.96

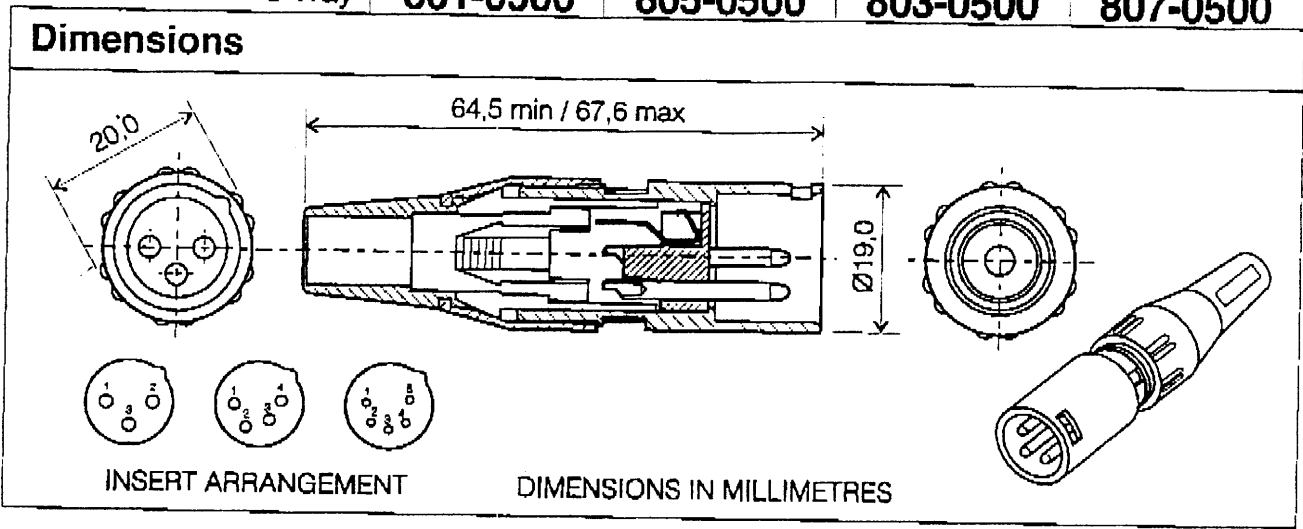
Issue No. 1

## PRODUCT SPECIFICATION

Sheet 1 of 1      Signature \_\_\_\_\_

Deltron Part No.  
3 Way  
4 Way  
5 Way

Silver Contacts		Gold Contacts	
Nickel	Black	Nickel	Black
<b>801-0300</b>	<b>805-0300</b>	<b>803-0300</b>	<b>807-0300</b>
<b>801-0400</b>	<b>805-0400</b>	<b>803-0400</b>	<b>807-0400</b>
<b>801-0500</b>	<b>805-0500</b>	<b>803-0500</b>	<b>807-0500</b>



### Description

A range of audio and video connectors incorporating many innovative features. Assembly and disassembly is screwless and is achieved by a few quick turns of the back shell.

- available in satin nickel or matt black finish, with silver or gold plated contacts.
- the strain relief collet ensures a positive cable grip.
- generous solder buckets enable easier cable assembly as well as catering for larger conductor sizes.
- a range of coloured plastic coding rings is also available, each with a single number moulded in, offering a quick and easy system of channel identification.

**(Note : these connectors are not to be used for mains applications.)**

### Features

<b>Mechanical Properties</b>	
Cable Retention	Chuck and Screw Collar
Cable Range	Ø 2,8mm to Ø 8,0mm
Housing	Zinc high pressure diecasting satin nickel or black chrome
Contact Base	Valox DR48
Contacts	Brass, 3 µ silver anti-tarnish finish, or 0,5 µ gold
Strain Relief	P.V.C. (black)
Sealing Ring	Santoprene (UL 94 HB)
Chuck	Acetal (UL 94 HB)
Screw Collar	Polycarbonate, 10% glass-filled Lexan, black
Screen	Spring Steel, 3 µ silver anti-tarnish
Interchangeable Connector Ident	Spring-on coloured rings
Ident Options	Acetal (UL94 HB)
	Black, Brown, Red, Orange, Yellow, Green, Blue, Violet, Grey, White
Operating Temp	-30°C to +80°C
Insertion Force	≤ 20N
Withdrawal Force	≤ 10N
Min No. Insertions	5000
<b>Electrical Properties</b>	
Number of Contacts	3, 4 or 5
Rated Current per Contact	16, 10 or 7.5 Amps
Maximum Wire Size (solid)	14, 14 or 14 AWG
Cap. Between Contacts	2.5, 2.5 or 2.5 mm <sup>2</sup>
Rated Voltage	≤4, ≤7 or ≤7 pf
Test Voltage	250 Volts a.c.
Contact Resistance	1500 Volts a.c.
Insulation Resistance	≤ 3 milli-ohms
	≥ 1 giga-ohms