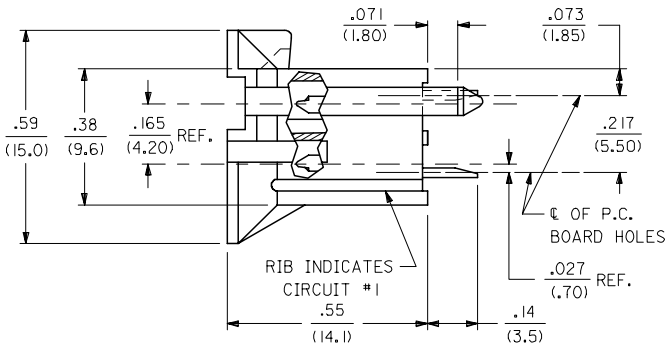
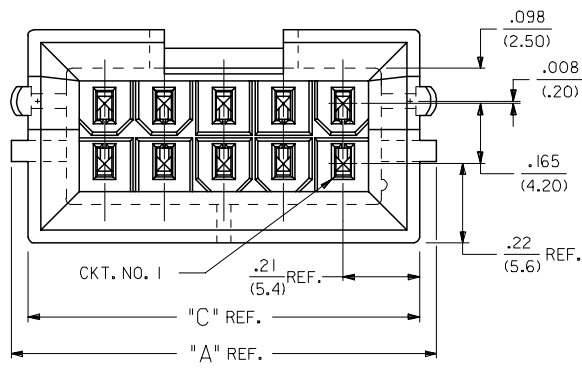
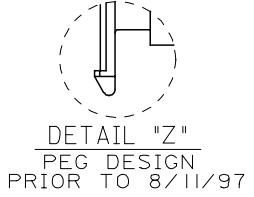
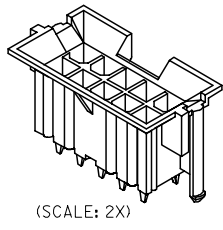
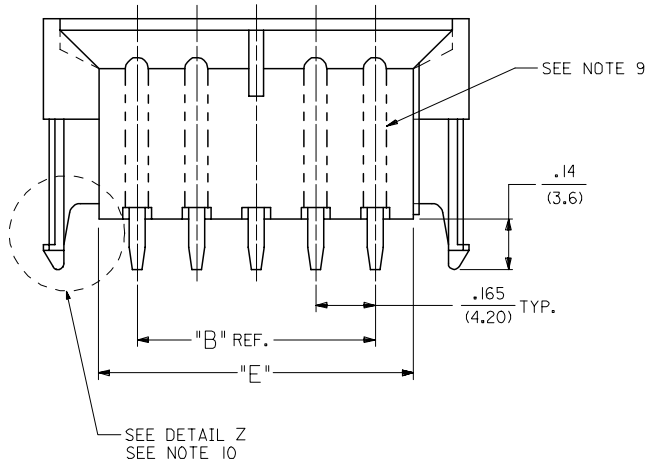


13 12 11 10 9 8 7 6 5 4 3 2 1

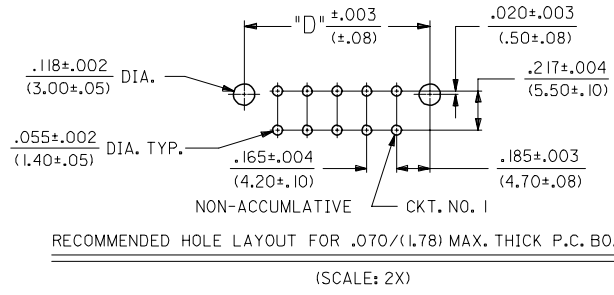
J
I
H
G
F
E
D
C
B
A



| CIRCUIT SIZE | DIM. "A" | DIM. "B" | DIM. "C" | DIM. "D" | DIM. "E" |
|--------------|---------------|-------------|---------------|---------------|-------------|
| 2 | .520 (13.20) | — | .425 (10.80) | .370 (9.40) | .21 (5.4) |
| 4 | .685 (17.40) | .17 (4.2) | .590 (15.00) | .535 (13.60) | .38 (9.6) |
| 6 | .850 (21.60) | .33 (8.4) | .756 (19.20) | .701 (17.80) | .54 (13.8) |
| 8 | 1.016 (25.80) | .50 (12.6) | .921 (23.40) | .866 (22.00) | .71 (18.0) |
| 10 | 1.181 (30.00) | .66 (16.8) | 1.087 (27.60) | 1.031 (26.20) | .87 (22.2) |
| 12 | 1.346 (34.20) | .83 (21.0) | 1.252 (31.80) | 1.197 (30.40) | 1.04 (26.4) |
| 14 | 1.512 (38.40) | .99 (25.2) | 1.417 (36.00) | 1.362 (34.60) | 1.20 (30.6) |
| 16 | 1.677 (42.60) | 1.16 (29.4) | 1.583 (40.20) | 1.528 (38.80) | 1.37 (34.8) |
| 18 | 1.843 (46.80) | 1.32 (33.6) | 1.748 (44.40) | 1.693 (43.00) | 1.54 (39.0) |
| 20 | 2.008 (51.00) | 1.49 (37.8) | 1.913 (48.60) | 1.858 (47.20) | 1.70 (43.2) |
| 22 | 2.173 (55.20) | 1.65 (42.0) | 2.079 (52.80) | 2.024 (51.40) | 1.87 (47.4) |
| 24 | 2.339 (59.40) | 1.82 (46.2) | 2.244 (57.00) | 2.189 (55.60) | 2.03 (51.6) |



LEGEND:
A - 42440 - ***
BASE NUMBER
CIRCUIT SIZE (02-24)
PLATING (SEE NOTE 2.)
HOUSING MAT'L. & OPTIONS (SEE NOTE 1.)



| | |
|---|-----|
| 6 | P |
| 5 | P |
| 4 | P |
| 3 | P1 |
| 2 | P |
| 1 | P1 |
| | REV |

| VERT. HEADER | MATING CONNECTOR | HSG. MAT'L. | TERM. MAT'L. | PLATING |
|----------------------------|--------------------------|-------------|--------------|---------|
| ---22, ---42 | 42474-***2I, 5556-PBGS*P | 94V-0 | PHOS. BRZ. | GOLD |
| ---12, ---32 | 42474-***1I, 5556-PBGS*P | 94V-2 | | |
| ---22, ---42, ---23, ---43 | 42474-***2I, 5556-GS*P | 94V-0 | BRASS | GOLD |
| ---12, ---32, ---13, ---33 | 42474-***1I, 5556-GS*P | 94V-2 | | |
| ---2I, ---4I | 42474-***2I, 5556-PBS*P | 94V-0 | PHOS. BRZ. | TIN |
| ---1I, ---3I | 42474-***1I, 5556-PBS*P | 94V-2 | | |
| ---2I, ---4I | 42474-***2I, 5556-S*P | 94V-0 | BRASS | TIN |
| ---1I, ---3I | 42474-***1I, 5556-S*P | 94V-2 | | |
| ---22, ---42 | A-42385-***D2, ---D4 | 94V-0 | PHOS. BRZ. | GOLD |
| ---12, ---32 | A-42385-***C2, ---C4 | 94V-2 | | |
| ---22, ---42, ---23, ---43 | A-42385-***B2, ---B4 | 94V-0 | BRASS | GOLD |
| ---12, ---32, ---13, ---33 | A-42385-***A2, ---A4 | 94V-2 | | |
| ---2I, ---4I | A-42385-***D1 | 94V-0 | PHOS. BRZ. | TIN |
| ---1I, ---3I | A-42385-***C1 | 94V-2 | | |
| ---2I, ---4I | A-42385-***B1 | 94V-0 | BRASS | TIN |
| ---1I, ---3I | A-42385-***A1 | 94V-2 | | |

SHEET 3, NOTE #9
FIC NO: UCP2007-2479
DRAWN:LSCHMIDT 2007/04/04
CHKD:IBELL 2007/04/11
APPR:FSM TH 2007/04/16

QUALITY SYMBOLS
=0
=0

GENERAL TOLERANCES (UNLESS SPECIFIED)
mm INCH
4 PLACES ± --- ± ---
3 PLACES ± --- ± .010
2 PLACES ± 0.25 ± .015
1 PLACE ± 0.38 ± ---
ANGULAR ± 5 °

DIMENSION STYLE IN/MM
SCALE 4:1
DESIGN UNITS METRIC
THIRD ANGLE PROJECTION

DRAWN BY DATE
GEP 1989/04/06
CHECKED BY DATE
RJF 1989/04/06
APPROVED BY DATE
RAS 1989/04/06

MINI-FIT B.M.I.
VERTICAL HEADER ASSY
WITH DRAIN HOLE OPTION

MATERIAL NO. SDA-42440-****
DOCUMENT NO.
SHEET NO. 1 OF 6

THIS DRAWING CONTAINS INFORMATION THAT IS PROPRIETARY TO MOLEX INCORPORATED AND SHOULD NOT BE USED WITHOUT WRITTEN PERMISSION

12 11 10 9 8 7 6 5 4 3 2 1

NOTES:

- 1) MATERIAL:
 - HOUSING MATERIAL AND OPTIONS:
 - 1 = NYLON 6/6, UL 94V-2, COLOR: NATURAL, WITHOUT DRAIN HOLES
 - 2 = NYLON 6/6, UL 94V-0, COLOR: NATURAL, WITHOUT DRAIN HOLES
 - 3 = NYLON 6/6, UL 94V-2, COLOR: NATURAL, WITH DRAIN HOLES
 - 4 = NYLON 6/6, UL 94V-0, COLOR: NATURAL, WITH DRAIN HOLES
 - TERMINALS: BRASS
- 2) TERMINAL PLATING:
 - S = .000100/(0.00254) MIN. BRIGHT TIN OVER .000050/(0.00127) MIN. NICKEL
 - *GS = .000030/(0.00076) MIN. SELECT GOLD AND .000100/(0.00254) MIN. SELECT MATTE TIN OVER .000050/(0.00127) MIN. NICKEL OVERALL
 - *GS3 = .000050/(0.00127) MIN. SELECT GOLD AND .000100/(0.00254) MIN. SELECT MATTE TIN OVER .000050/(0.00127) MIN. NICKEL OVERALL
 - *THE PRIMARY SHIPPING CARTON WILL BE LABELED "COMPLIANT TO RoHS DIRECTIVE 2002/95/EC AND ELV ANNEX II OF DIRECTIVE 200/53/EC"; CARTONS WITHOUT THIS LABEL MAY CONTAIN PRODUCT WITH TIN-LEAD PLATING.
- 3) PRODUCT SPECIFICATION AND PROCESSING PARAMETERS: PS-5556-002
- 4) PACKAGING: SEE CHARTS
- 5) 6-24 CIRCUIT PARTS MATE WITH MINI-FIT JR. RECEPTACLES #5557 AND HEADERS #42385 AND #42474; 2 AND 4 CIRCUIT PARTS MATE WITH 42385 AND 42474 HEADERS ONLY.
- 6) PART ALLOWS FOR UP TO .100/(2.54) MISALIGNMENT WITH MATING RECEPTACLE IN ANY DIRECTION. SEE MATING CONNECTOR DRAWINGS FOR SPECIFIC ALLOWANCES.
- 7) CONNECTOR IS NOT DESIGNED FOR CURRENT SHARING.
- 8) CONNECTOR ASSEMBLIES ARE NOT BE MATED OR UNMATED WHILE CIRCUITS ARE LIVE.
- 9) OPTIONAL RIBS MAY BE FOUND ON PARTS MANUFACTURED AFTER 08/11/1997. RIB LOCATION IS DETERMINED BY MOLD DESIGN FOR MANUFACTURING EASE AND THE LOCATION DOES NOT AFFECT PART FUNCTION OR PERFORMANCE. LOCATION OF RIBS MAY VARY ON PARTS WITHIN MAUFACTURING LOT OR SHIPMENT. THIS DRAWING SHOWS TYPICAL RIB LOCATIONS.
- 10) PARTS MANUFACTURED AFTER 8/15/1997 MAY HAVE REVISED LOCK PEG.
- 11) PART CONFORMS TO CLASS "B" REQUIREMENTS OF COSMETIC SPECIFICATION PS-45499-002.

| | | | | | | | | | | |
|--|-------------------------------|--|------|--------------------------|--------------------|---|------------------------|------------------------|--|--|
| SEE SHEET ONE FC NO: UCP2007-2479 DRAWN:LSCHMIDT 2007/04/04 CHKD:JBELL 2007/04/11 APPR:FSM TH 2007/04/16 P1 | QUALITY SYMBOLS ▽=0 ▽=0 | GENERAL TOLERANCES (UNLESS SPECIFIED) | | DIMENSION STYLE IN/MM | | SCALE --- | DESIGN UNITS METRIC | THIRD ANGLE PROJECTION | | |
| | | mm | INCH | DRAWN BY GEP | DATE 1989/04/06 | TITLE MINI-FIT B.M.I. VERTICAL HEADER ASSY WITH DRAIN HOLE OPTION | | | | |
| | | 4 PLACES ±--- | ±--- | CHECKED BY RJF | DATE 1989/04/06 | MOLEX INCORPORATED MATERIAL NO. SDA-42440-**** DOCUMENT NO. SHEET NO. 3 OF 6 | | | | |
| | | 3 PLACES ±--- | ±--- | APPROVED BY RAS | DATE 1989/04/06 | | | | | |
| 2 PLACES ±--- | ±--- | DRAFT WHERE APPLICABLE MUST REMAIN WITHIN DIMENSIONS | | SEE CHART | | THIS DRAWING CONTAINS INFORMATION THAT IS PROPRIETARY TO MOLEX INCORPORATED AND SHOULD NOT BE USED WITHOUT WRITTEN PERMISSION | | | | |
| 1 PLACE ±--- | ±--- | | | | | | | | | |
| ANGULAR ±--- | | | | | | | | | | |

| | | | | | | | | | | | | | | | | | |
|---|--------------------------------------|--------------|----|--------------------------------------|------------|--------------|---|------|------------|---|---|------|------------|--------------|---|------|---|
| | 13 | 12 | 11 | 10 | 9 | 8 | 7 | 6 | 5 | 4 | 3 | 2 | 1 | | | | |
| J | PLATING: TIN (SEE NOTE 2 OPTION 'S') | | | PLATING: TIN (SEE NOTE 2 OPTION 'S') | | | PLATING: 30 M.I. SELECT GOLD (SEE NOTE 2 OPTION 'GS') | | | PLATING: 30 M.I. SELECT GOLD (SEE NOTE 2 OPTION 'GS') | | | J | | | | |
| | DRAINS: WITHOUT DRAIN HOLES | | | DRAINS: WITHOUT DRAIN HOLES | | | DRAINS: WITHOUT DRAIN HOLES | | | DRAINS: WITHOUT DRAIN HOLES | | | | | | | |
| | PEGS: WITH PEGS | | | PEGS: WITH PEGS | | | PEGS: WITH PEGS | | | PEGS: WITH PEGS | | | | | | | |
| | MAT'L: 94V-2 [NATURAL] | | | MAT'L: 94V-0 [NATURAL] | | | MAT'L: 94V-2 [NATURAL] | | | MAT'L: 94V-0 [NATURAL] | | | | | | | |
| | PACKAGING: TRAY PER PK-42440-001 | | | PACKAGING: TRAY PER PK-42440-001 | | | PACKAGING: TRAY PER PK-42440-001 | | | PACKAGING: TRAY PER PK-42440-001 | | | | | | | |
| I | PART NO. | ENG NO. | | CKTS | PART NO. | ENG NO. | | CKTS | PART NO. | ENG NO. | | CKTS | PART NO. | ENG NO. | | CKTS | I |
| | NO EDP | A-42440-0211 | - | 2 | NO EDP | A-42440-0221 | - | 2 | NO EDP | A-42440-0212 | - | 2 | NO EDP | A-42440-0222 | - | 2 | |
| | 15-24-6041 | A-42440-0411 | - | 4 | 15-24-6042 | A-42440-0421 | - | 4 | 15-28-6041 | A-42440-0412 | - | 4 | 15-28-6042 | A-42440-0422 | - | 4 | |
| | NO EDP | A-42440-0611 | - | 6 | NO EDP | A-42440-0621 | - | 6 | NO EDP | A-42440-0612 | - | 6 | NO EDP | A-42440-0622 | - | 6 | |
| | NO EDP | A-42440-0811 | - | 8 | NO EDP | A-42440-0821 | - | 8 | NO EDP | A-42440-0812 | - | 8 | NO EDP | A-42440-0822 | - | 8 | |
| | 15-24-6101 | A-42440-1011 | - | 10 | 15-24-6102 | A-42440-1021 | - | 10 | 15-28-6101 | A-42440-1012 | - | 10 | 15-28-6102 | A-42440-1022 | - | 10 | |
| | NO EDP | A-42440-1211 | - | 12 | NO EDP | A-42440-1221 | - | 12 | NO EDP | A-42440-1212 | - | 12 | NO EDP | A-42440-1222 | - | 12 | |
| | 15-24-6141 | A-42440-1411 | - | 14 | 15-24-6142 | A-42440-1421 | - | 14 | 15-28-6141 | A-42440-1412 | - | 14 | 15-28-6142 | A-42440-1422 | - | 14 | |
| | 15-24-6161 | A-42440-1611 | - | 16 | 15-24-6162 | A-42440-1621 | - | 16 | 15-28-6161 | A-42440-1612 | - | 16 | NO EDP | A-42440-1622 | - | 16 | |
| H | 15-24-6181 | A-42440-1811 | - | 18 | 15-24-6182 | A-42440-1821 | - | 18 | 15-28-6181 | A-42440-1812 | - | 18 | 15-28-6182 | A-42440-1822 | - | 18 | H |
| | NO EDP | A-42440-2011 | - | 20 | NO EDP | A-42440-2021 | - | 20 | NO EDP | A-42440-2012 | - | 20 | NO EDP | A-42440-2022 | - | 20 | |
| | NO EDP | A-42440-2211 | - | 22 | NO EDP | A-42440-2221 | - | 22 | NO EDP | A-42440-2212 | - | 22 | NO EDP | A-42440-2222 | - | 22 | |
| | 15-24-6241 | A-42440-2411 | - | 24 | 15-24-6242 | A-42440-2421 | - | 24 | 15-28-6241 | A-42440-2412 | - | 24 | 15-28-6242 | A-42440-2422 | - | 24 | |
| | - | - | - | - | - | - | - | - | - | - | - | - | - | - | - | - | |
| | - | - | - | - | - | - | - | - | - | - | - | - | - | - | - | - | |
| G | PLATING: TIN (SEE NOTE 2 OPTION 'S') | | | PLATING: TIN (SEE NOTE 2 OPTION 'S') | | | PLATING: 30 M.I. SELECT GOLD (SEE NOTE 2 OPTION 'GS') | | | PLATING: 30 M.I. SELECT GOLD (SEE NOTE 2 OPTION 'GS') | | | G | | | | |
| | DRAINS: WITH DRAIN HOLES | | | DRAINS: WITH DRAIN HOLES | | | DRAINS: WITH DRAIN HOLES | | | DRAINS: WITH DRAIN HOLES | | | | | | | |
| | PEGS: WITH PEGS | | | PEGS: WITH PEGS | | | PEGS: WITH PEGS | | | PEGS: WITH PEGS | | | | | | | |
| | MAT'L: 94V-2 [NATURAL] | | | MAT'L: 94V-0 [NATURAL] | | | MAT'L: 94V-2 [NATURAL] | | | MAT'L: 94V-0 [NATURAL] | | | | | | | |
| | PACKAGING: TRAY PER PK-42440-001 | | | PACKAGING: TRAY PER PK-42440-001 | | | PACKAGING: TRAY PER PK-42440-001 | | | PACKAGING: TRAY PER PK-42440-001 | | | | | | | |
| F | PART NO. | ENG NO. | | CKTS | PART NO. | ENG NO. | | CKTS | PART NO. | ENG NO. | | CKTS | PART NO. | ENG NO. | | CKTS | F |
| | NO EDP | A-42440-0231 | - | 2 | NO EDP | A-42440-0241 | - | 2 | NO EDP | A-42440-0232 | - | 2 | NO EDP | A-42440-0242 | - | 2 | |
| | 15-24-6046 | A-42440-0431 | - | 4 | 15-24-6047 | A-42440-0441 | - | 4 | 15-28-6046 | A-42440-0432 | - | 4 | 15-28-6047 | A-42440-0442 | - | 4 | |
| | 15-24-6066 | A-42440-0631 | - | 6 | NO EDP | A-42440-0641 | - | 6 | 15-28-6066 | A-42440-0632 | - | 6 | NO EDP | A-42440-0642 | - | 6 | |
| | NO EDP | A-42440-0831 | - | 8 | NO EDP | A-42440-0841 | - | 8 | NO EDP | A-42440-0832 | - | 8 | NO EDP | A-42440-0842 | - | 8 | |
| | 15-24-6106 | A-42440-1031 | - | 10 | 15-24-6107 | A-42440-1041 | - | 10 | 15-28-6106 | A-42440-1032 | - | 10 | 15-28-6107 | A-42440-1042 | - | 10 | |
| | NO EDP | A-42440-1231 | - | 12 | NO EDP | A-42440-1241 | - | 12 | NO EDP | A-42440-1232 | - | 12 | NO EDP | A-42440-1242 | - | 12 | |
| E | 15-24-6146 | A-42440-1431 | - | 14 | 15-24-6147 | A-42440-1441 | - | 14 | 15-28-6146 | A-42440-1432 | - | 14 | 15-28-6147 | A-42440-1442 | - | 14 | E |
| | NO EDP | A-42440-1631 | - | 16 | NO EDP | A-42440-1641 | - | 16 | NO EDP | A-42440-1632 | - | 16 | NO EDP | A-42440-1642 | - | 16 | |
| | 15-24-6186 | A-42440-1831 | - | 18 | 15-24-6187 | A-42440-1841 | - | 18 | 15-28-6186 | A-42440-1832 | - | 18 | 15-28-6187 | A-42440-1842 | - | 18 | |
| | NO EDP | A-42440-2031 | - | 20 | NO EDP | A-42440-2041 | - | 20 | NO EDP | A-42440-2032 | - | 20 | NO EDP | A-42440-2042 | - | 20 | |
| | NO EDP | A-42440-2231 | - | 22 | NO EDP | A-42440-2241 | - | 22 | NO EDP | A-42440-2232 | - | 22 | NO EDP | A-42440-2242 | - | 22 | |
| | 15-24-6246 | A-42440-2431 | - | 24 | 15-24-6247 | A-42440-2441 | - | 24 | 15-28-6246 | A-42440-2432 | - | 24 | 15-28-6247 | A-42440-2442 | - | 24 | |
| D | - | - | - | - | - | - | - | - | - | - | - | - | - | - | - | - | D |
| | - | - | - | - | - | - | - | - | - | - | - | - | - | - | - | - | |
| C | C | | | | | | | | | | | | | | | | |
| B | B | | | | | | | | | | | | | | | | |
| A | A | | | | | | | | | | | | | | | | |

| | | | | | | |
|--|--|--|--|---|---|---|
| STANDARDIZE NOTES FCC NO: UCP2007-2152 DRW: LLS/CHI/DT 2007/03/12 CHKD: ADERR 2007/03/19 APPR: FSM/TH 2007/03/19 REVISIONS | QUALITY SYMBOLS | GENERAL TOLERANCES (UNLESS SPECIFIED) mm INCH 4 PLACES ± --- ± --- 3 PLACES ± --- ± --- 2 PLACES ± --- ± --- 1 PLACE ± --- ± --- ANGULAR ± --- ° | DIMENSION STYLE IN/MM DRAWN BY DATE GEP 1995/03/03 CHECKED BY DATE RJF 1995/03/03 APPROVED BY DATE RJF 1995/03/03 | SCALE --- DESIGN UNITS METRIC THIRD ANGLE PROJECTION | MINI-FIT B.M.I. VERTICAL HEADER ASSY WITH DRAIN HOLE OPTION MOLEX INCORPORATED | MATERIAL NO. SDA-42440-**** SHEET NO. 4 OF 6 |
| | DRAFT WHERE APPLICABLE MUST REMAIN WITHIN DIMENSIONS | | SEE CHART | THIS DRAWING CONTAINS INFORMATION THAT IS PROPRIETARY TO MOLEX INCORPORATED AND SHOULD NOT BE USED WITHOUT WRITTEN PERMISSION | | |
| | | | | | | |
| | | | | | | |

| | 13 | 12 | 11 | 10 | 9 | 8 | 7 | 6 | 5 | 4 | 3 | 2 | 1 | | |
|---|------------|---|----|------|------------|---|---|------|------------|---|---|------|------------|---|------|
| J | PLATING: | TIN (SEE NOTE 2 OPTION 'S') | | | PLATING: | TIN (SEE NOTE 2 OPTION 'S') | | | PLATING: | 30 M.I. SELECT GOLD (SEE NOTE 2 OPTION 'GS') | | | PLATING: | 30 M.I. SELECT GOLD (SEE NOTE 2 OPTION 'GS') | |
| | DRAINS: | WITH DRAIN HOLES | | | DRAINS: | WITH DRAIN HOLES | | | DRAINS: | WITH DRAIN HOLES | | | DRAINS: | WITH DRAIN HOLES | |
| | PEGS: | WITH PEGS | | | PEGS: | WITH PEGS | | | PEGS: | WITH PEGS | | | PEGS: | WITH PEGS | |
| | MAT'L: | 94V-2 [NATURAL] | | | MAT'L: | 94V-0 [NATURAL] | | | MAT'L: | 94V-2 [NATURAL] | | | MAT'L: | 94V-0 [NATURAL] | |
| | PACKAGING: | TUBE PER PK-40873-0151 | | | PACKAGING: | TUBE PER PK-40873-0151 | | | PACKAGING: | TUBE PER PK-40873-0151 | | | PACKAGING: | TUBE PER PK-40873-0151 | |
| I | ITEM NO. | | | CKTS | ITEM NO. | | | CKTS | ITEM NO. | | | CKTS | ITEM NO. | | CKTS |
| | - | - | - | 2 | - | - | - | 2 | - | - | - | 2 | - | - | 2 |
| | 42440-3049 | - | - | 4 | 42440-3061 | - | - | 4 | 42440-3073 | - | - | 4 | 42440-3085 | - | 4 |
| | 42440-3050 | - | - | 6 | - | - | - | 6 | 42440-3074 | - | - | 6 | - | - | 6 |
| | - | - | - | 8 | - | - | - | 8 | - | - | - | 8 | - | - | 8 |
| | 42440-3052 | - | - | 10 | 42440-3064 | - | - | 10 | 42440-3076 | - | - | 10 | 42440-3088 | - | 10 |
| | - | - | - | 12 | - | - | - | 12 | - | - | - | 12 | - | - | 12 |
| | 42440-3054 | - | - | 14 | 42440-3066 | - | - | 14 | 42440-3078 | - | - | 14 | 42440-3090 | - | 14 |
| | - | - | - | 16 | - | - | - | 16 | - | - | - | 16 | - | - | 16 |
| | 42440-3056 | - | - | 18 | 42440-3068 | - | - | 18 | 42440-3080 | - | - | 18 | 42440-3092 | - | 18 |
| H | - | - | - | 20 | - | - | - | 20 | - | - | - | - | - | - | 20 |
| | - | - | - | 22 | - | - | - | 22 | - | - | - | - | - | - | 22 |
| | 42440-3059 | - | - | 24 | 42440-3071 | - | - | 24 | 42440-3083 | - | - | 24 | 42440-3095 | - | 24 |
| | | | | | | | | | | | | | | | |
| | | | | | | | | | | | | | | | |
| | | | | | | | | | | | | | | | |
| G | PLATING: | 50 M.I. SELECT GOLD (SEE NOTE 2 OPTION 'GS3') | | | PLATING: | 50 M.I. SELECT GOLD (SEE NOTE 2 OPTION 'GS3') | | | PLATING: | 50 M.I. SELECT GOLD (SEE NOTE 2 OPTION 'GS3') | | | PLATING: | 50 M.I. SELECT GOLD (SEE NOTE 2 OPTION 'GS3') | |
| | DRAINS: | WITHOUT DRAIN HOLES | | | DRAINS: | WITHOUT DRAIN HOLES | | | DRAINS: | WITH DRAIN HOLES | | | DRAINS: | WITH DRAIN HOLES | |
| | PEGS: | WITH PEGS | | | PEGS: | WITH PEGS | | | PEGS: | WITH PEGS | | | PEGS: | WITH PEGS | |
| | MAT'L: | 94V-2 [NATURAL] | | | MAT'L: | 94V-0 [NATURAL] | | | MAT'L: | 94V-2 [NATURAL] | | | MAT'L: | 94V-0 [NATURAL] | |
| | PACKAGING: | TUBE PER PK-40873-0151 | | | PACKAGING: | TUBE PER PK-40873-0151 | | | PACKAGING: | TUBE PER PK-40873-0151 | | | PACKAGING: | TUBE PER PK-40873-0151 | |
| F | ITEM NO. | | | CKTS | ITEM NO. | | | CKTS | ITEM NO. | | | CKTS | ITEM NO. | | CKTS |
| | - | - | - | 2 | - | - | - | 2 | - | - | - | 2 | - | - | 2 |
| | - | - | - | 4 | - | - | - | 4 | - | - | - | 4 | - | - | 4 |
| | - | - | - | 6 | - | - | - | 6 | - | - | - | 6 | - | - | 6 |
| | - | - | - | 8 | - | - | - | 8 | - | - | - | 8 | - | - | 8 |
| | - | - | - | 10 | - | - | - | 10 | - | - | - | 10 | - | - | 10 |
| | - | - | - | 12 | - | - | - | 12 | - | - | - | 12 | - | - | 12 |
| | - | - | - | 14 | - | - | - | 14 | - | - | - | 14 | - | - | 14 |
| | - | - | - | 16 | - | - | - | 16 | - | - | - | 16 | - | - | 16 |
| | - | - | - | 18 | - | - | - | 18 | - | - | - | 18 | - | - | 18 |
| E | - | - | - | 20 | - | - | - | 20 | - | - | - | 20 | - | - | 20 |
| | - | - | - | 22 | - | - | - | 22 | - | - | - | 22 | - | - | 22 |
| | - | - | - | 24 | - | - | - | 24 | - | - | - | 24 | - | - | 24 |
| | | | | | | | | | | | | | | | |
| | | | | | | | | | | | | | | | |
| | | | | | | | | | | | | | | | |
| D | | | | | | | | | | | | | | | |
| | | | | | | | | | | | | | | | |
| | | | | | | | | | | | | | | | |
| | | | | | | | | | | | | | | | |
| | | | | | | | | | | | | | | | |
| | | | | | | | | | | | | | | | |
| | | | | | | | | | | | | | | | |
| | | | | | | | | | | | | | | | |
| | | | | | | | | | | | | | | | |
| | | | | | | | | | | | | | | | |
| C | | | | | | | | | | | | | | | |
| | | | | | | | | | | | | | | | |
| | | | | | | | | | | | | | | | |
| | | | | | | | | | | | | | | | |
| | | | | | | | | | | | | | | | |
| | | | | | | | | | | | | | | | |
| | | | | | | | | | | | | | | | |
| | | | | | | | | | | | | | | | |
| | | | | | | | | | | | | | | | |
| | | | | | | | | | | | | | | | |
| B | | | | | | | | | | | | | | | |
| | | | | | | | | | | | | | | | |
| | | | | | | | | | | | | | | | |
| | | | | | | | | | | | | | | | |
| | | | | | | | | | | | | | | | |
| | | | | | | | | | | | | | | | |
| | | | | | | | | | | | | | | | |
| | | | | | | | | | | | | | | | |
| | | | | | | | | | | | | | | | |
| | | | | | | | | | | | | | | | |
| A | | | | | | | | | | | | | | | |
| | | | | | | | | | | | | | | | |
| | | | | | | | | | | | | | | | |
| | | | | | | | | | | | | | | | |
| | | | | | | | | | | | | | | | |
| | | | | | | | | | | | | | | | |
| | | | | | | | | | | | | | | | |
| | | | | | | | | | | | | | | | |
| | | | | | | | | | | | | | | | |
| | | | | | | | | | | | | | | | |

| | | | | | | |
|---|----------------------|--|---|----------------|----------------|---|
| STANDARDIZE NOTES FC NO: UCP2007-2152 2007/03/12 DRAWNLSCHMIDT CHKD:ADERR 2007/03/19 APPR:FSM TH 2007/03/19 REV DESCRIPTION | QUALITY SYMBOLS | GENERAL TOLERANCES (UNLESS SPECIFIED) | DIMENSION STYLE | SCALE | DESIGN UNITS | THIRD ANGLE PROJECTION |
| | ▽=0 | mm INCH | IN/MM | --- | METRIC | |
| | ▽=0 | 4 PLACES ± --- ± --- | DRAWN BY DATE | ERH 2000/02/23 | TITLE | MINI-FIT B.M.I. VERTICAL HEADER ASSY WITH DRAIN HOLE OPTION |
| | | 3 PLACES ± --- ± --- | CHECKED BY DATE | MB 2000/02/23 | MATERIAL NO. | MOLEX INCORPORATED |
| | 2 PLACES ± --- ± --- | APPROVED BY DATE | RE 2000/02/23 | DOCUMENT NO. | SDA-42440-**** | |
| | 1 PLACE ± --- ± --- | ANGULAR ±1/2° | | SHEET NO. | 6 OF 6 | |
| | | DRAFT WHERE APPLICABLE MUST REMAIN WITHIN DIMENSIONS | SEE CHART | | | |
| | | | THIS DRAWING CONTAINS INFORMATION THAT IS PROPRIETARY TO MOLEX INCORPORATED AND SHOULD NOT BE USED WITHOUT WRITTEN PERMISSION | | | |