

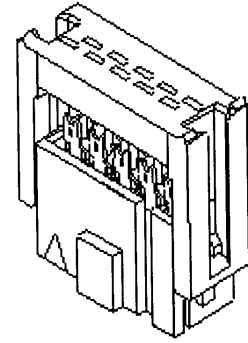
352-5879 100mm Home | Series 90635

352-5946 200mm

352-6016 300mm

352-6082 400mm

**1.27mm (.050") QF 50™, Vertical, MIL/DIN Version  
Receptacle  
90635**



[Click here for 2D](#)



Download free Acrobat Reader to view PDF files.

This product was designed in millimeters  
Designed in dimensions refer to the 2-D drawing shown below.  
[Click Here to view in inches.](#)

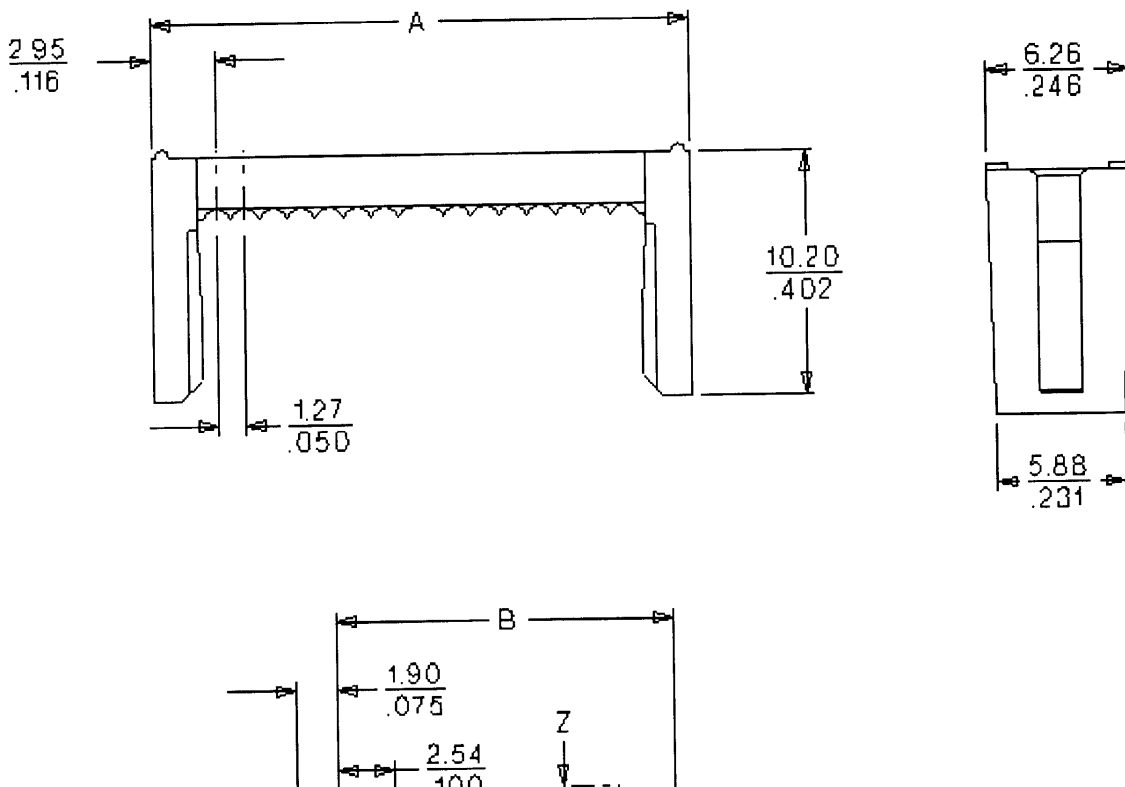
Warning: Converting to inches may cause rounding errors. Please see sales drawing for more detailed information.

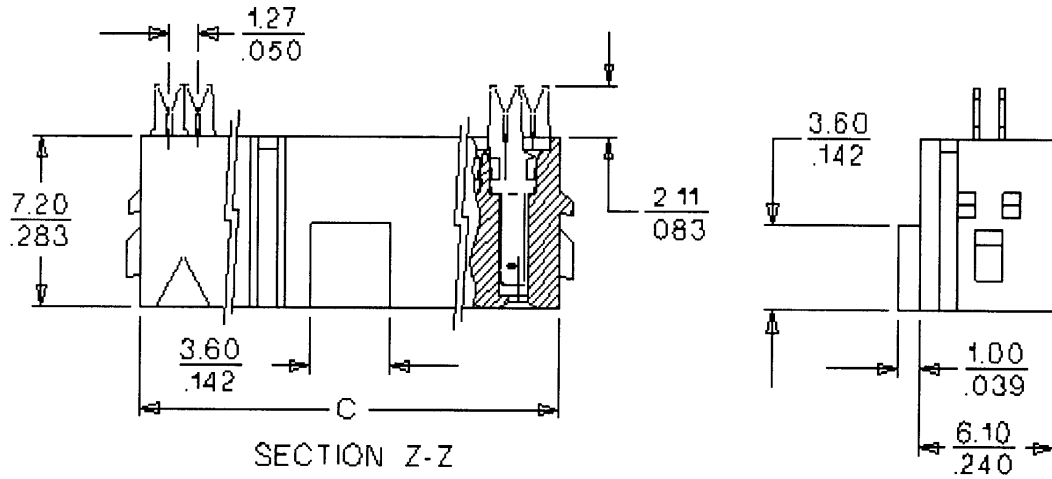
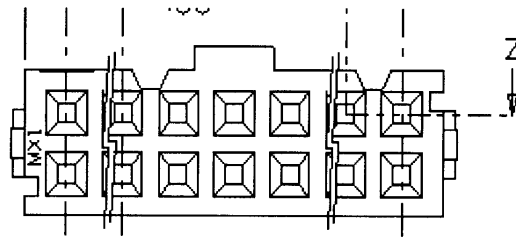
**DOCUMENTS**

**PART INFORMATION**

	3D Model	Sales Drawing (.pdf)	Molex Part No	Circuits	Plating Material	Polarization	Plating Thickness (μ)	Part Status
<b>Sample Request</b>	3D	SD	90635-1262	26	Au (Gold)	Yes	.76	Active

[Click Here to view all parts for series 90635](#)





[Home](#) | [Series 90635](#)

© Copyright 2001 Molex

[Help](#) [Feedback](#) [Legal Notices](#)