

Series PA

Series PF

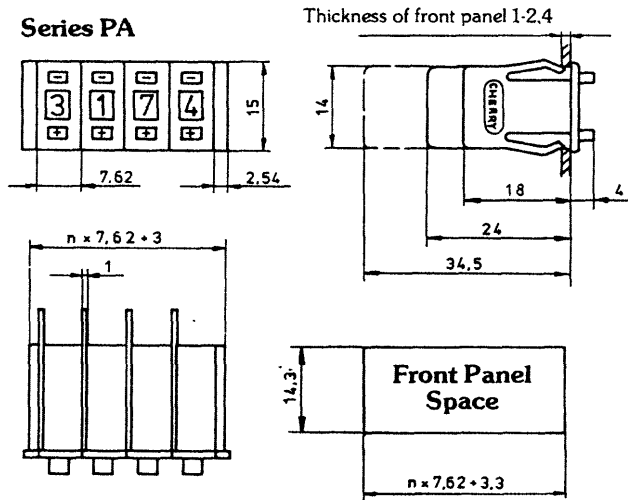
Switch Characteristics

1. Operating force _____ approx. 300 cN
2. Contact resistance _____ 0,1Ω max.
3. Insulation resistance _____ 10³ MΩ
4. Dielectric strength _____ 500V~
5. Electrical rating (ohmic resistance) _____ 0,1A/50V≈
max. current (non-switching current) _____ 0,5A
6. Temperature _____ -20°C to +80°C
7. Life cycle (mechanical) _____ 10⁶ operations
8. Shock _____ 50g, 11 ms
9. Vibration _____ 15g, 10-2000 Hz
10. Weight _____ approx. 2g

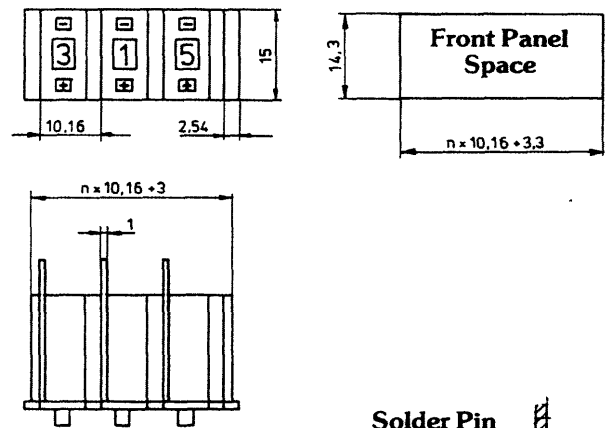
Technical Data

Housing material _____ PPO (Noryl)
 Contacts _____ WE alloy No. 2
 Printed circuit board _____ G10 (FR4) Glass filled epoxy,
 copper-plated.
 Au over Ni.
 Mounting _____ Frontmounting, snap-in endcaps.
 _____ Mounting of units through integrated pins.
 Stops _____ Setting through factory only.
 Terminals _____ Q.C. terminal gold-plated
 or solder pins.
 Upon request: solder terminal, tinned.

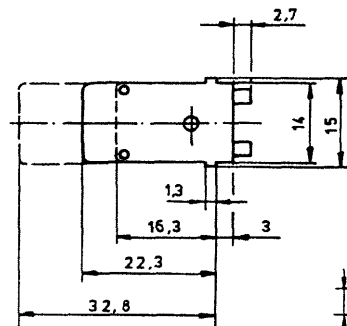
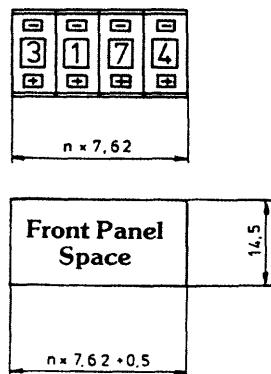
Series PA



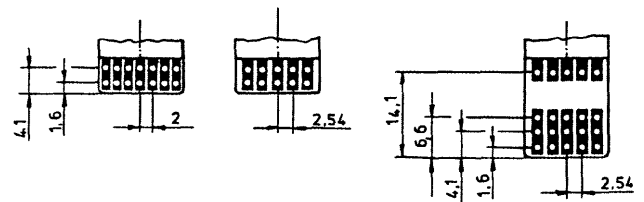
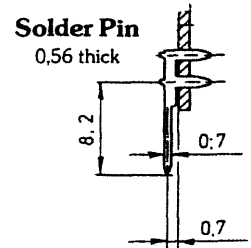
LED Version



Series PF



Switching Positions	Readout Dimensions	Height of Legend
10	W = 3,6 H = 4	3
16	W = 3,6 H = 2,5	1,8



Codes

Switching Positions	Code	Readout	Truth Table No. (refer to page 86)	PCB Terminals No.	PCB Short	PCB Extended	Illumination		Index
							PCB Short	PCB Extended	
10	Decimal	0-9	2	1/8	●	●			A
10	BCD	0-9	1	2/7/9	●	●	●		C
10	BCD Complement	0-9	11	5	●				E
10	BCD + Complement	0-9	8	4	●				F
10	Single pole repeating	+/- alt.	4	6/13	●	●			P
16	Hexadecimal	0-9, A-F	5	3/10	●	●			H
Additional codes upon request									

Terminals/Illumination

Terminals	Illumination	Index
Q.C. terminal	w/o	A
Q.C. terminal	LED yellow	C
Solder pins	w/o	F
Solder pins	LED yellow	H

LED Version: w/o resistor!

Solder pin terminals: for codes "Decimal" and "BCD + Complement" not available!

Housing Colors and PCB Versions

Color	PCB	Index
BM	short	3
BM	extended	4
GM	short	7
GM	extended	8

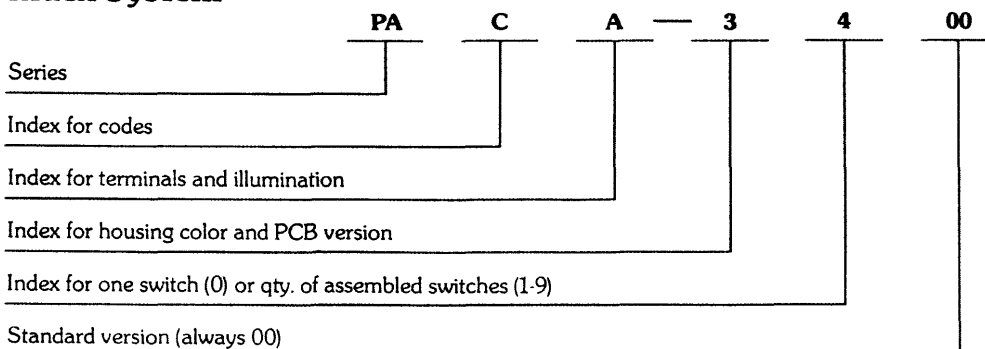
BM = black matte, black wheel, white legends, black actuator

GM = grey matte, white wheel, black legends, black actuator

Illumination:
translucent white wheel, black legends

PCB extension:
provisions for components, diodes, etc., cutout in tracks, with exception track "C".

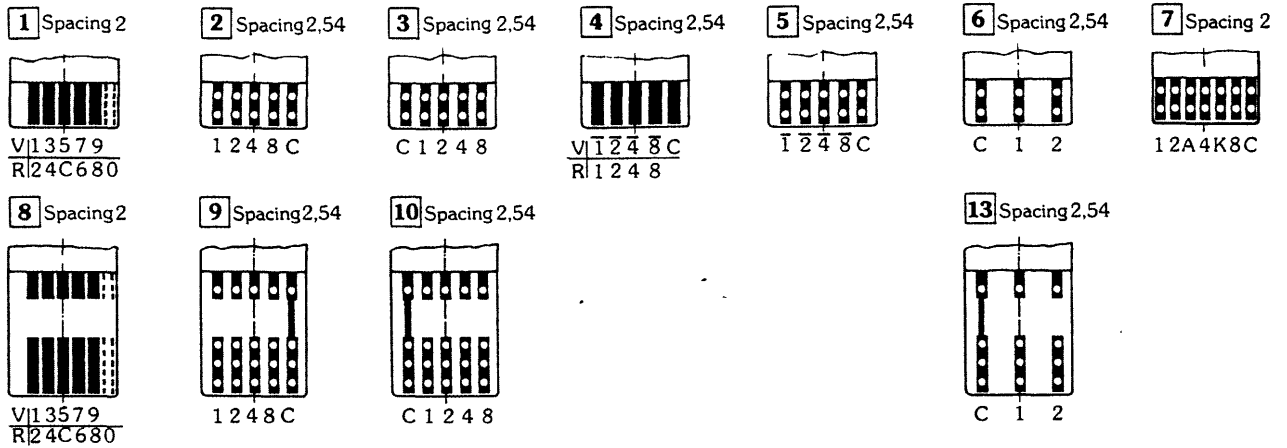
Index System



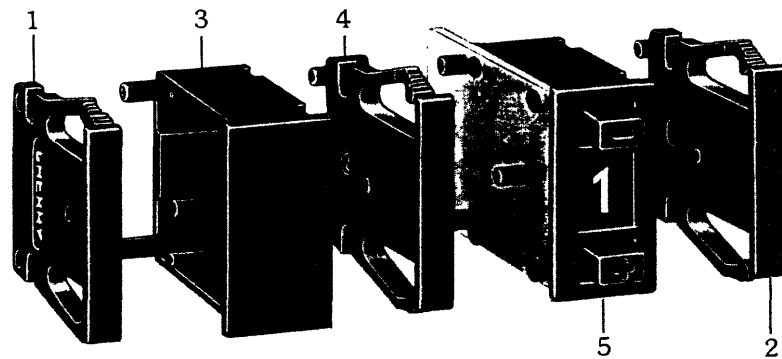
Example how to order

Series PA,
code BCD (C),
Q.C. terminal w/o
illumination (A),
housing color black matte
with short PCB (3),
4 indiv. switches, completely
assembled with endcaps (4).

PCB Terminals



V = Front, R = Back



Accessories for Assembly

Endcap left	_____	III. 1
Endcap right	_____	III. 2
Housing 7, 62 mm	_____	III. 3
Spacer 2,54 mm	_____	III. 4
Unit PA	_____	III. 5

Color	Endcap left	Endcap right	Spacer 2,54 mm	Housing 7,62 mm
Black matte	609-0801	609-0799	609-0803	609-0797
Grey matte	609-0802	609-0800	609-0804	609-0798