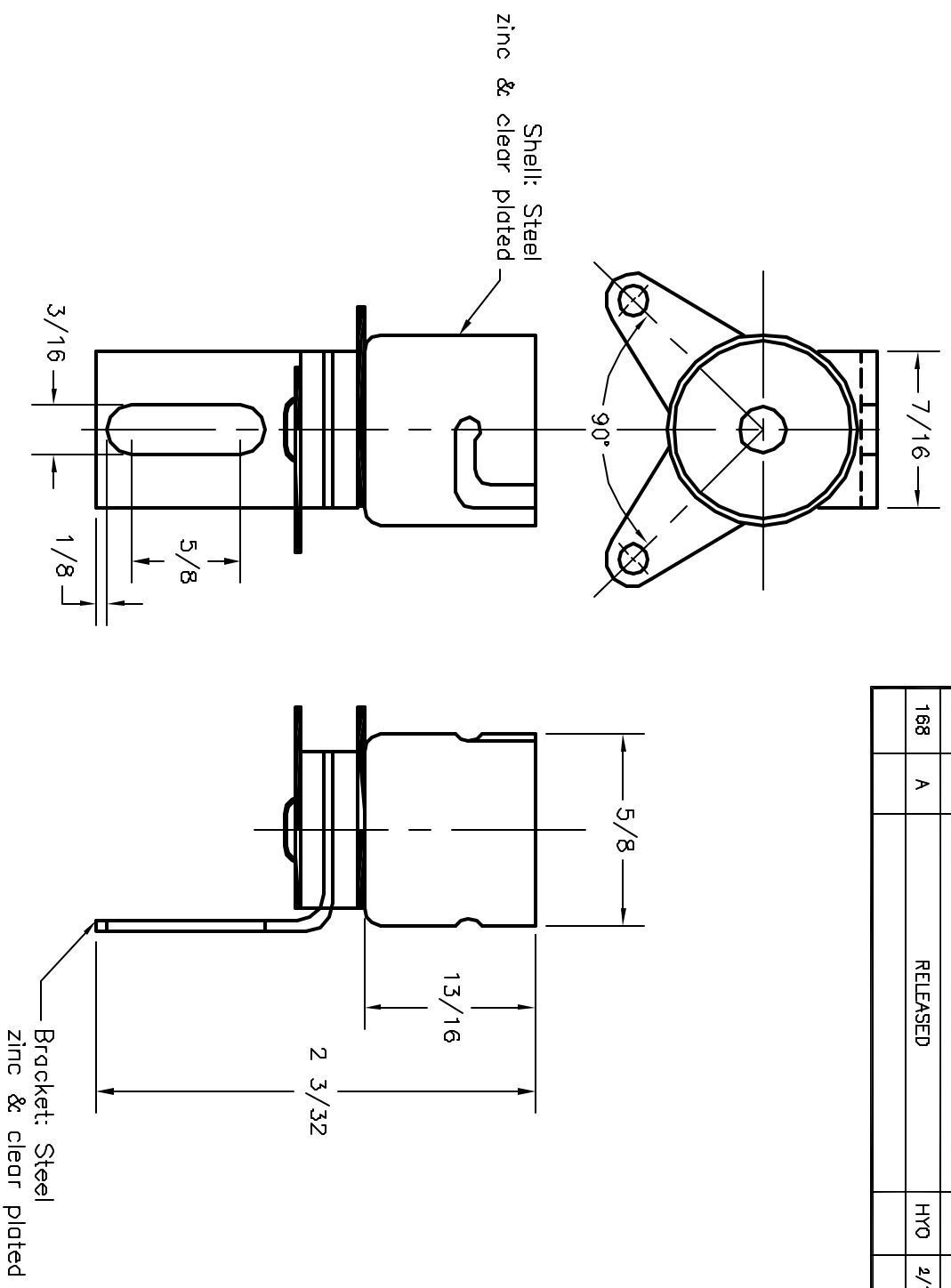


ALL RIGHTS RESERVED. NO PORTION OF THIS PUBLICATION, WHETHER IN WHOLE OR IN PART CAN BE REPRODUCED WITHOUT THE EXPRESS WRITTEN CONSENT OF SPC TECHNOLOGY.

REVISIONS		DOC. NO.	DATE	CHECKED	DATE	APPRVD	DATE
DOP #	REV	DESCRIPTION	DRAWN	DATE	CHECKD	DATE	APPRVD
168	A	RELEASED	HYO	2/16/00	JIC	2/25/00	DJIC
							4/5/00



DISCLAIMER
 ALL STATEMENTS AND TECHNICAL INFORMATION CONTAINED HEREIN ARE BASED UPON INFORMATION AND/OR TESTS WE BELIEVE TO BE ACCURATE AND RELIABLE. SINCE CONDITIONS OF USE ARE BEYOND OUR CONTROL, THE USER SHALL DETERMINE THE SUITABILITY OF THE PRODUCT FOR THE INTENDED USE AND ASSUME ALL RISK AND LIABILITY WHATSOEVER IN CONNECTION THEREWITH.

SPC TECHNOLOGY

Tolerances Unless Otherwise Specified
 Fractional ± 1/64
 Angular ± 1°

DRAWN BY: HISHAM ODISH DATE: 2/16/00
 CHECKED BY: JOHN COLE DATE: 2/25/00
 APPROVED BY: DANIEL CAREY DATE: 4/5/00

DRAWING TITLE: **Single Contact Candelabra Bayonet Lampholder**

SIZE: A DWG. NO.: **2259** ELECTRONIC FILE: **92N4201.DWG** REV: A

SCALE: NTS U.O.M.: INCHES SHEET: 1 OF 1