

NOTES:

- THIS LIGHT PIPE ASSEMBLY TO BE USED WITH THE FOLLOWING 1X2 GANGED CAGE ASSEMBLIES:

747220001 - 1X2 GANGED CAGE ASSEMBLY W/ PRESS FIT LEGS (REFER TO DOCUMENT SD-74722-001 FOR CAGE DETAILS)
- IT IS RECOMMENDED THAT THE CAGE ASSEMBLY BE PRESSED INTO THE PCB PRIOR TO ASSEMBLING THE LIGHT PIPE ASSEMBLY.
- LED'S TO HAVE A MAXIMUM HEIGHT OF 1.4mm AND A MINIMUM HEIGHT 0.7mm.
- RECOMMENDED LED'S INCLUDE THE FOLLOWING MANUFACTURERS:

DIALIGHT: 597-77x1-5xx SERIES

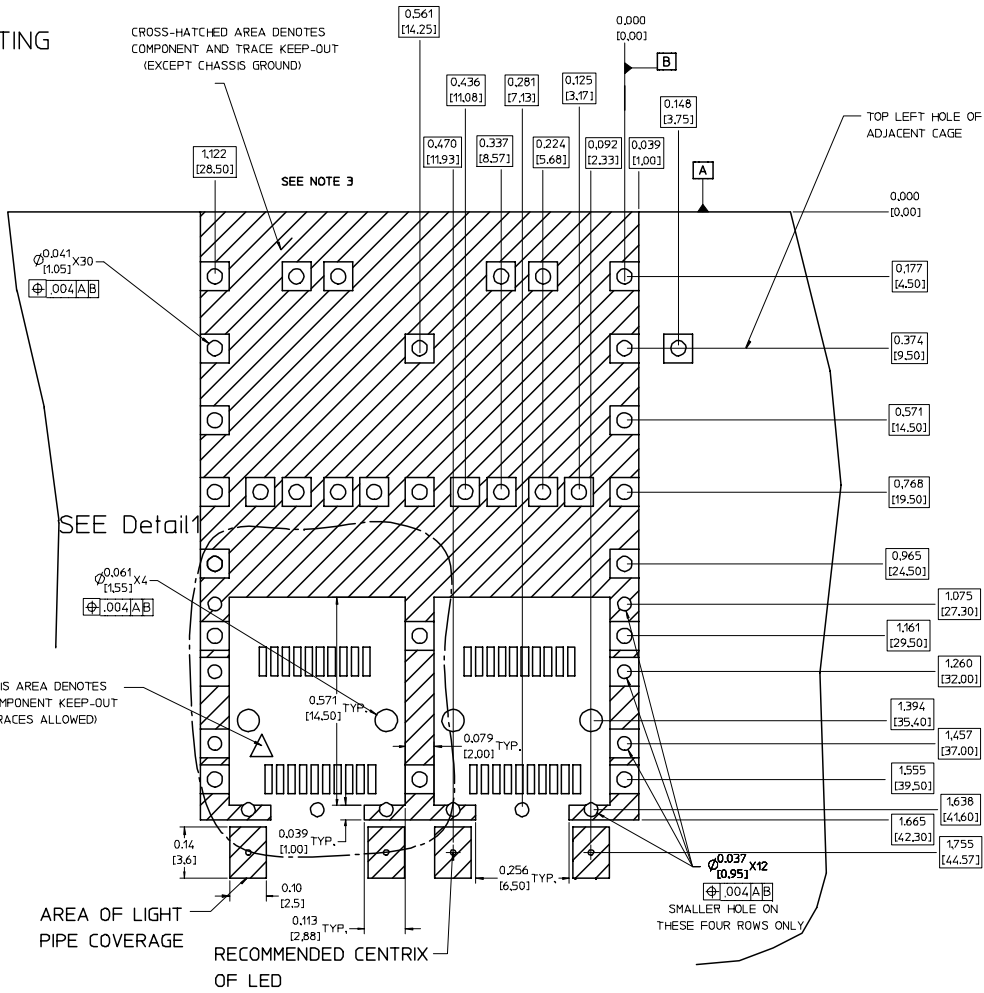
CHICAGO MINIATURE: 7016 SERIES

KINGBRIGHT: APBL3025 SERIES (BICOLOR)
APL3015 SERIES (SINGLE COLOR)
- THIS PART MEETS THE RESTRICTION OF HAZARDOUS SUBSTANCES IN ELECTRICAL AND ELECTRONIC EQUIPMENT (ROHS) DIRECTIVE (2002/95/EC).

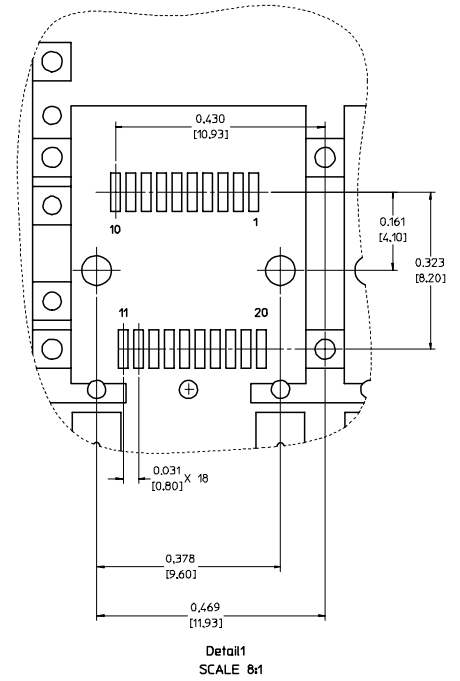
ENTER DESCRIPTION EC NO: UST2006-0008 DORWANSI MONSON 2005/07/15 CHFKBRUSSELL 2005/07/15 APPR:BRUSSELL 2005/07/25	QUALITY SYMBOLS 	GENERAL TOLERANCES (UNLESS SPECIFIED) <table border="1"> <tr> <th></th> <th>mm</th> <th>INCH</th> </tr> <tr> <td>4 PLACES ±</td> <td>---</td> <td>±.005</td> </tr> <tr> <td>3 PLACES ±</td> <td>---</td> <td>±.01</td> </tr> <tr> <td>2 PLACES ±</td> <td>0.13</td> <td>±.01</td> </tr> <tr> <td>1 PLACE ±</td> <td>0.25</td> <td>±.01</td> </tr> <tr> <td colspan="3">ANGULAR ± 1 °</td> </tr> </table>		mm	INCH	4 PLACES ±	---	±.005	3 PLACES ±	---	±.01	2 PLACES ±	0.13	±.01	1 PLACE ±	0.25	±.01	ANGULAR ± 1 °			DIMENSION STYLE IN/MM	SCALE 4:1	DESIGN UNITS METRIC	THIRD ANGLE PROJECTION
				mm	INCH																			
4 PLACES ±	---	±.005																						
3 PLACES ±	---	±.01																						
2 PLACES ±	0.13	±.01																						
1 PLACE ±	0.25	±.01																						
ANGULAR ± 1 °																								
DESCRIPTION 1X2 SFP LIGHT PIPE ASSEMBLY, BACK-TOP	DRAWN BY KS IMONSO	DATE 2004/07/08	TITLE 1X2 SFP LIGHT PIPE ASSEMBLY, BACK-TOP	MOLEX INCORPORATED	DOCUMENT NO. SD-74727-001	SHEET NO. 1 OF 5																		
DRAFT WHERE APPLICABLE MUST REMAIN WITHIN DIMENSIONS	MATERIAL NO. 747270001	DATE 2004/07/08	THIS DRAWING CONTAINS INFORMATION THAT IS PROPRIETARY TO MOLEX INCORPORATED AND SHOULD NOT BE USED WITHOUT WRITTEN PERMISSION																					

PCB LAYOUT FOR BELLY TO BELLY MOUNTING

CROSS-HATCHED AREA DENOTES
COMPONENT AND TRACE KEEP-OUT
(EXCEPT CHASSIS GROUND)



HOST CONNECTOR DETAIL



Detail1
SCALE 8:1

NOTES:

1. PADS AND VIAS GO TO CHASSIS GROUND.
2. CAGE MOUNTING THRU HOLES (34 PLACES) TO BE PLATED.
3. HOLE PATTERN REPEATS FOR EACH PORT, SPACING BETWEEN PORTS IS .561 [14.25].

ENTER DESCRIPTION EC NO: UST2006-0008 DR: WANKS MONSON 2005/07/15 CHKD: BRUSSELL 2005/07/15 APPR: BRUSSELL 2005/07/25	QUALITY SYMBOLS ▽=0 ▽=0	GENERAL TOLERANCES (UNLESS SPECIFIED) <table border="1"> <tr> <th></th> <th>mm</th> <th>INCH</th> </tr> <tr> <td>4 PLACES ±</td> <td>---</td> <td>±</td> </tr> <tr> <td>3 PLACES ±</td> <td>---</td> <td>±.005</td> </tr> <tr> <td>2 PLACES ±</td> <td>0.13</td> <td>±.01</td> </tr> <tr> <td>1 PLACE ±</td> <td>0.25</td> <td>±---</td> </tr> <tr> <td colspan="3">ANGULAR ± 1 °</td> </tr> </table>		mm	INCH	4 PLACES ±	---	±	3 PLACES ±	---	±.005	2 PLACES ±	0.13	±.01	1 PLACE ±	0.25	±---	ANGULAR ± 1 °			DIMENSION STYLE IN/MM	SCALE 6:1	DESIGN UNITS METRIC	THIRD ANGLE PROJECTION
		mm	INCH																					
	4 PLACES ±	---	±																					
	3 PLACES ±	---	±.005																					
2 PLACES ±	0.13	±.01																						
1 PLACE ±	0.25	±---																						
ANGULAR ± 1 °																								
DESCRIPTION	DRAWN BY KS IMONSO	DATE 2004/07/08	TITLE 1X2 SFP LIGHT PIPE ASSEMBLY, BACK-TOP	APPROVED BY BRUSSELL	DATE 2004/07/08	MATERIAL NO. 747270001																		
DRAFT WHERE APPLICABLE MUST REMAIN WITHIN DIMENSIONS	SIZE D	DOCUMENT NO. SD-74727-001	MOLEX MOLEX INCORPORATED	SHEET NO. 2 OF 5	THIS DRAWING CONTAINS INFORMATION THAT IS PROPRIETARY TO MOLEX INCORPORATED AND SHOULD NOT BE USED WITHOUT WRITTEN PERMISSION																			

PCB LAYOUT FOR SINGLE SIDE MOUNTING

CROSS-HATCHED AREA DENOTES
COMPONENT AND TRACE KEEP-OUT
(EXCEPT CHASSIS GROUND)

SEE NOTE 3

THIS AREA DENOTES
COMPONENT KEEP-OUT
(TRACES ALLOWED)

AREA OF LIGHT
PIPE COVERAGE

RECOMMENDED CENTRIX
OF LED

TOP LEFT HOLE
OF ADJACENT CAGE

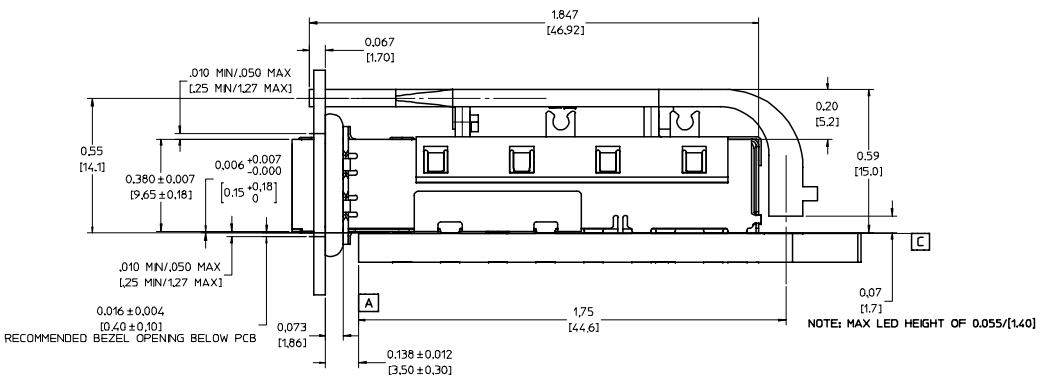
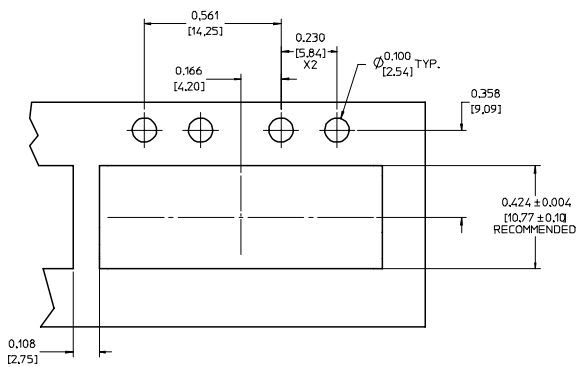
NOTES:

1. PADS AND VIAS GO TO CHASSIS GROUND.
2. CAGE MOUNTING THRU HOLES (19 PLACES) TO BE PLATED.
3. HOLE PATTERN REPEATS FOR EACH PORT.
SPACING BETWEEN PORTS IS .561 [14.25].

ENTER DESCRIPTION EC NO: UST2006-0008 DRAWN BY: JIMONSON 2005/07/15 CHECKED BY: BRUSSELL 2005/07/15 APPR: BRUSSELL 2005/07/25 REV DESCRIPTION	QUALITY SYMBOLS	GENERAL TOLERANCES (UNLESS SPECIFIED)	DIMENSION STYLE	SCALE	DESIGN UNITS	THIRD ANGLE PROJECTION
	▽=0 ▽=0	mm INCH 4 PLACES ± --- ± --- 3 PLACES ± --- ± .005 2 PLACES ± 0.13 ± .01 1 PLACE ± 0.25 ± --- ANGULAR ± 1 °	IN/MM DRAWN BY: KS IMONSON DATE: 2004/07/08 CHECKED BY: BRUSSELL DATE: 2004/07/08 APPROVED BY: BRUSSELL DATE: 2004/07/08	6:1	METRIC	TITLE: 1X2 SFP LIGHT PIPE ASSEMBLY, BACK-TOP MOLEX INCORPORATED
	DRAFT WHERE APPLICABLE MUST REMAIN WITHIN DIMENSIONS	MATERIAL NO: 747270001	DOCUMENT NO: SD-74727-001	SHEET NO: 3 OF 5		
	SIZE D	THIS DRAWING CONTAINS INFORMATION THAT IS PROPRIETARY TO MOLEX INCORPORATED AND SHOULD NOT BE USED WITHOUT WRITTEN PERMISSION				

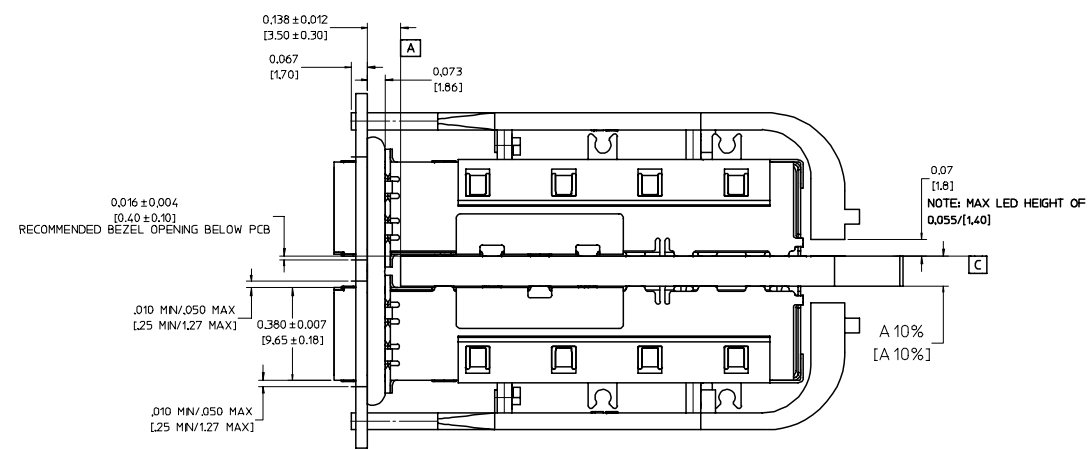
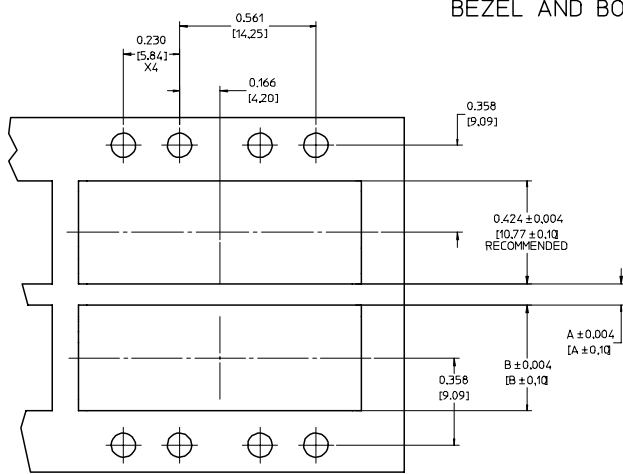
20 19 18 17 16 15 14 13 12 11 10 9 8 7 6 5 4 3 2 1

M
L
K
J
I
H
G
F
E
D
C
B
A



BEZEL AND BOARD POSITION DIMENSIONS FOR SINGLE SIDE MOUNTING

H
G
F
E
D
C
B
A



BEZEL AND BOARD POSITION DIMENSIONS FOR BELLY TO BELLY MOUNTING

NOTE: FOR A GIVEN BOARD THICKNESS (A), DIMENSIONS (B) AND (C) ARE DIRECTLY AFFECTED.

USE RECOMMENDED DIMENSIONS AND TOLERANCES TO AID IN DEVELOPING BEZEL OPENING.

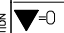
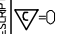


FOR EXAMPLE USING A BOARD THICKNESS OF .125" THE RECOMMENDED VALUES WOULD BE:

- A= .125/3.18 ± 10%
- B= .434/11.03 ± .004
- C= .088/2.23 ± .004

ENTER DESCRIPTION EC NO: UST2006-0008 DRAWN BY: JORWANKI MONSON 2005/07/15 CHECKED BY: CHFKBRUSSELL 2005/07/15 APPR: BRUSSELL 2005/07/25	QUALITY SYMBOLS	GENERAL TOLERANCES (UNLESS SPECIFIED)	DIMENSION STYLE	SCALE	DESIGN UNITS	THIRD ANGLE PROJECTION
	▽=0 ▽=0	4 PLACES ± --- ± --- 3 PLACES ± --- ± .005 2 PLACES ± 0.13 ± .01 1 PLACE ± 0.25 ± --- ANGULAR ± 1 °	IN/MM DATE DATE DATE	4:1	METRIC	
	DRAFT WHERE APPLICABLE MUST REMAIN WITHIN DIMENSIONS	MATERIAL NO: 747270001 DOCUMENT NO: SD-74727-001	DRAWN BY: KS IMONSO 2004/07/08 CHECKED BY: BRUSSELL 2004/07/08 APPROVED BY: BRUSSELL 2004/07/08			TITLE: 1X2 SFP LIGHT PIPE ASSEMBLY, BACK-TOP MOLEX INCORPORATED
		SIZE: D	SHEET NO: 4 OF 5	THIS DRAWING CONTAINS INFORMATION THAT IS PROPRIETARY TO MOLEX INCORPORATED AND SHOULD NOT BE USED WITHOUT WRITTEN PERMISSION		

19 18 17 16 15 14 13 12 11 10 9 8 7 6 5 4 3 2 1

DATE	REV	CHANGES	COMMENTS
2003/12/09	1	PRELIMINARY DOCUMENT	N/A
2004/07/08	A	INITIAL RELEASE	N/A
2005/06/03	B	CORRECTED P/N FOR DIALIGHT LED. UPDATED DIMENSIONS.	DOCUMENT CHANGE ONLY
2005/06/10	C	UPDATED VIEWS TO SHOW CLEARANCE HOLES ADDED TO THE COVER.	N/A

ENTER DESCRIPTION EC NO: UST2006-0008 DRAWN BY: KSI MONSO 2005/07/15 CHECKED BY: CHK BRUSSELL 2005/07/15 APPR: BRUSSELL 2005/07/25	QUALITY SYMBOLS  = 0  = 0.05	GENERAL TOLERANCES (UNLESS SPECIFIED) <table border="1"> <tr> <th></th> <th>mm</th> <th>INCH</th> </tr> <tr> <td>4 PLACES</td> <td>± .005</td> <td>± .0005</td> </tr> <tr> <td>3 PLACES</td> <td>± .01</td> <td>± .001</td> </tr> <tr> <td>2 PLACES</td> <td>± 0.13</td> <td>± .01</td> </tr> <tr> <td>1 PLACE</td> <td>± 0.25</td> <td>± .01</td> </tr> <tr> <td>ANGULAR</td> <td colspan="2">± 1 °</td> </tr> </table>		mm	INCH	4 PLACES	± .005	± .0005	3 PLACES	± .01	± .001	2 PLACES	± 0.13	± .01	1 PLACE	± 0.25	± .01	ANGULAR	± 1 °		DIMENSION STYLE IN/MM	SCALE 1:1	DESIGN UNITS METRIC	 THIRD ANGLE PROJECTION
				mm	INCH																			
4 PLACES	± .005	± .0005																						
3 PLACES	± .01	± .001																						
2 PLACES	± 0.13	± .01																						
1 PLACE	± 0.25	± .01																						
ANGULAR	± 1 °																							
DRAFT WHERE APPLICABLE MUST REMAIN WITHIN DIMENSIONS	MATERIAL NO. 747270001	DOCUMENT NO. SD-74727-001	TITLE 1X2 SFP LIGHT PIPE ASSEMBLY, BACK-TOP	 MOLEX INCORPORATED	SHEET NO. 5 OF 5																			