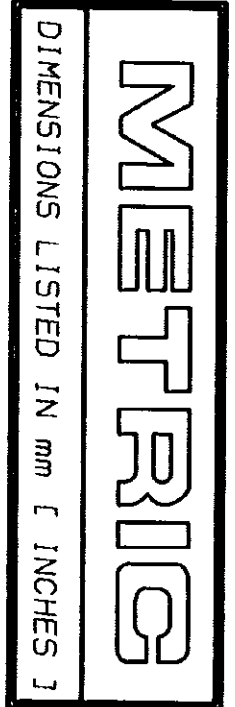
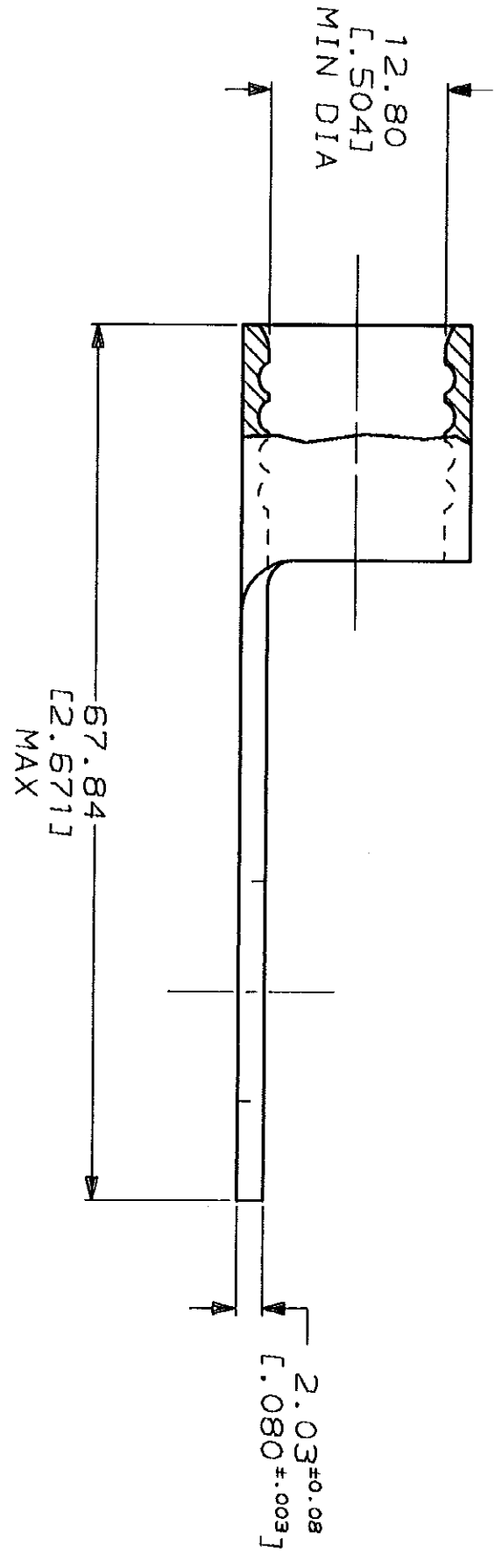
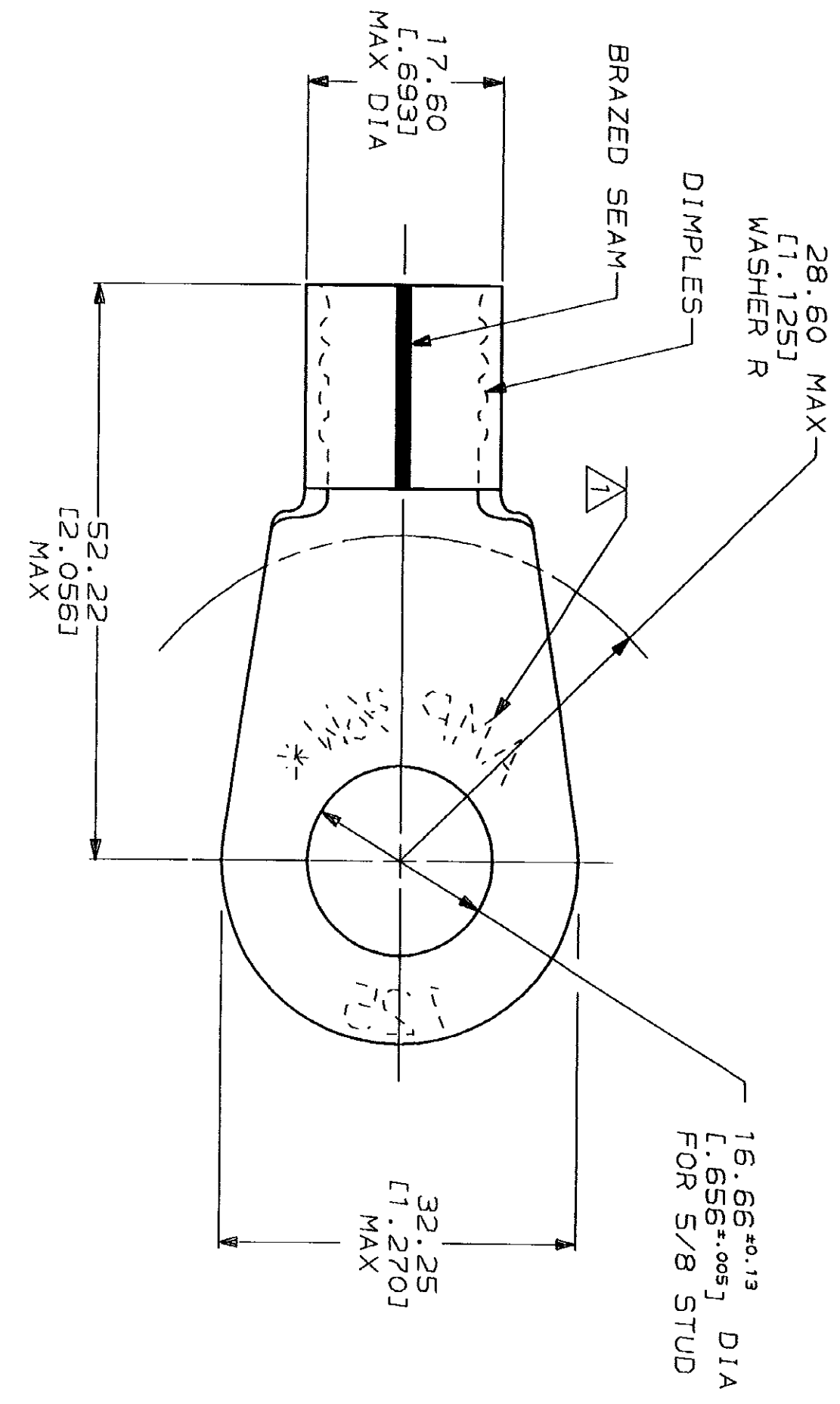


LOC	DIST	ZONE	LTR	DESCRIPTION	DATE	APPRO
G	14	P	C	REVISED & REDRAWN PER 0720-0120-93	8/4/93	ASJ



<b>AMP</b> WIRE RANGE	<b>UL</b> E13288 Listed
2/0 AWG SOLID OR STRANDED	2/0 AWG STRANDED
<b>LR7189</b> Certified	MILITARY P/N AND CLASS
2/0 AWG SOLID OR STRANDED	NOT APPLICABLE



△ STAMP AMP 2/0W\* 125 APPROX AS SHOWN

**AMP INCORPORATED  
 CUSTOMER SERVICE SYSTEMS**

FOR ADDITIONAL PRODUCT INFORMATION OR COPIES OF DRAWINGS AND TECHNICAL DOCUMENTS	PRODUCT INFORMATION CENTER 1-800-522-6752	VOLTAGE RATING: NOT APPLICABLE	MAX RECOMMENDED OPERATING TEMPERATURE: 170°C MAX
FOR APPLICATION TOOLING INFORMATION	TOOLING ASSISTANCE CENTER 1-800-722-1111	CIRCULAR MIL AREA: 60.6-76.3mm² [119,500-150,500] CIR MILS SOLID OR STRANDED	
FOR ORDER ENTRY	1-800-526-5142		

DO NOT SCALE PRINT. UNLESS SPECIFIED DIMENSIONS IN mm [ INCHES ] TOLERANCES ON: 2 PLC DEC ± 0.20 [ 0.008 ] 3 PLC DEC ± ANGLES ±	FINISH TIN PLATE 0.00254 [ 0.00100 ] MIN THK PER MIL-T-10727
---	---

DR 8/4/93 DK SCHRUM	NAME
CHK 8/5/93 AJ KAUFMAN	AMP Incorporated Harrisburg, PA 17105-3508
APPD 8/5/93 RE ROSER	
APPD 8/5/93 JL HECKLEY	
PRODUCT SPEC	
APPLICATION SPEC	
WEIGHT	

SIZE	CAGE CODE	DRAWING NO
SCALE 2:1	00779	322224
TERMINAL, RING TONGUE, SOLISTRAND™		
AMP Incorporated Harrisburg, PA 17105-3508		

322224  
 PART NO