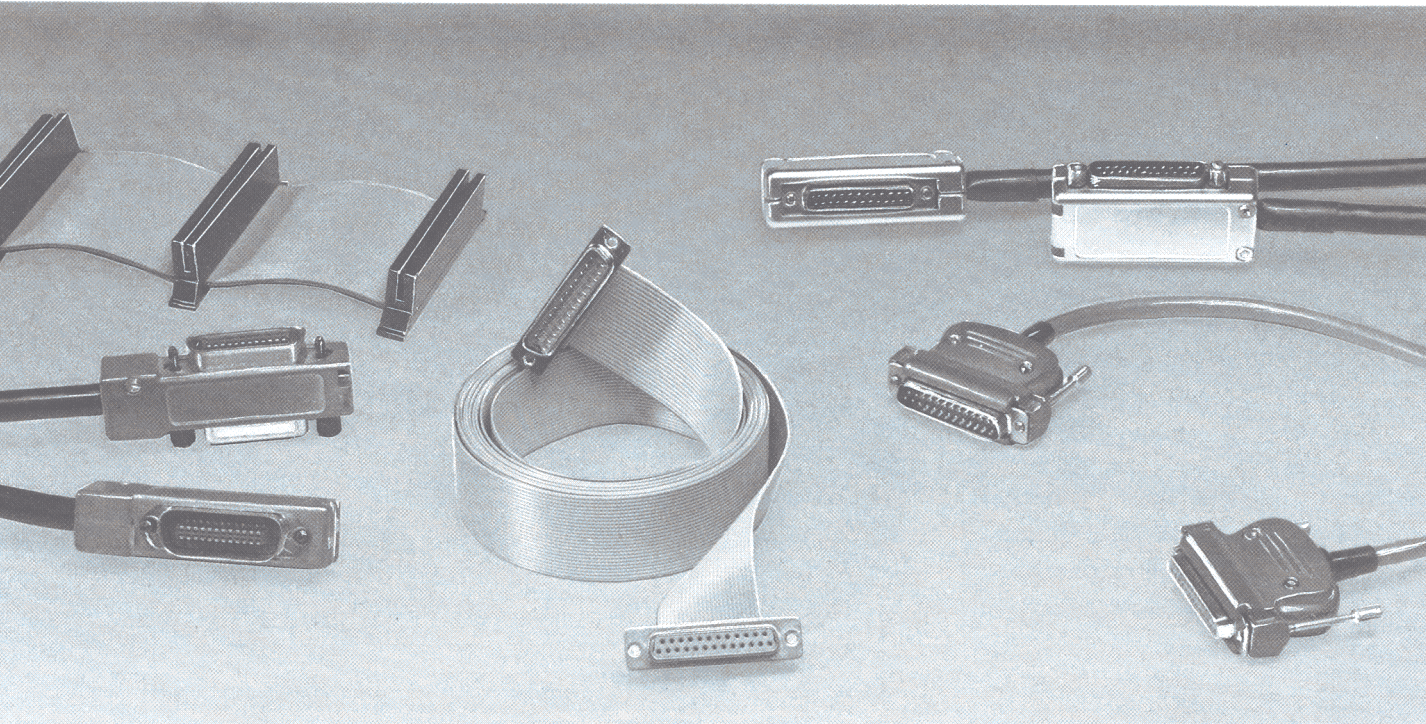
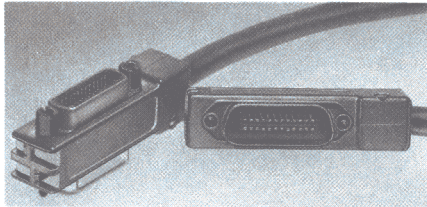


Cable Assemblies



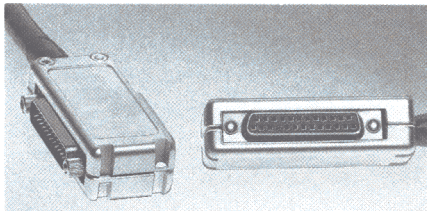
IEEE 488



Cinch Connectors IEEE Bus is designed in accordance with the latest IEEE 488 standards. This Cable Assembly is offered unshielded with plastic shells or shielded with die cast metal shell.

Length	Part Number		
.6 M	R23 00001	00 000	A00
.75M	R23 00001	00 000	B00
1.0 M	R23 00001	00 000	C00
1.2 M	R23 00001	00 000	D00
2 M	R23 00001	00 000	E00
4 M	R23 00001	00 000	F00
10 M	R23 00001	00 000	G00
1.5 M	R23 00001	00 000	H00
Other sizes on request.			

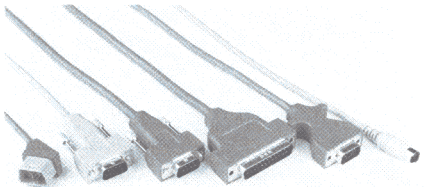
IEC 625



Cinch Connectors IEC Bus Cable Assembly fulfils the higher requirements of IEEE 488 in wire to wire capacitance and data rate, it is however, equipped with piggyback 25 way D Sub-miniature Connectors according to IEC 625.

Length	Part Number		
.6 M	R23 00002	00 000	A00
.75M	R23 00002	00 000	B00
1.0 M	R23 00002	00 000	C00
1.2 M	R23 00002	00 000	D00
2 M	R23 00002	00 000	E00
4 M	R23 00002	00 000	F00
10 M	R23 00002	00 000	G00
1.5 M	R23 00002	00 000	H00
Other sizes on request.			

RS 232 & CUSTOM

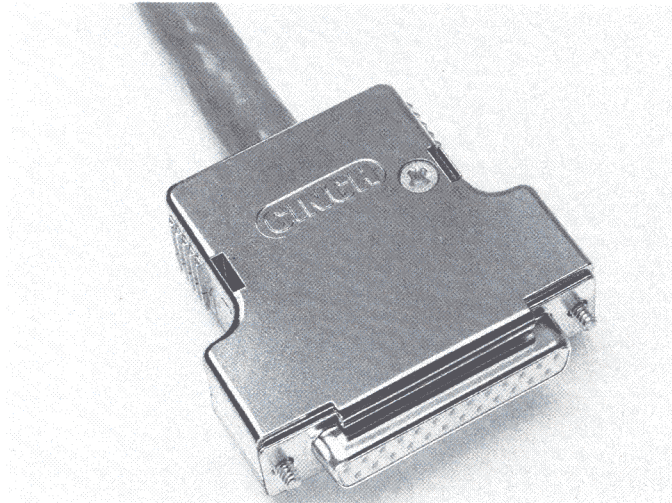


This popular Cable Assembly can now be built to your specification using Cinch's high quality Connectors. It is available with a range of cable types and terminations.

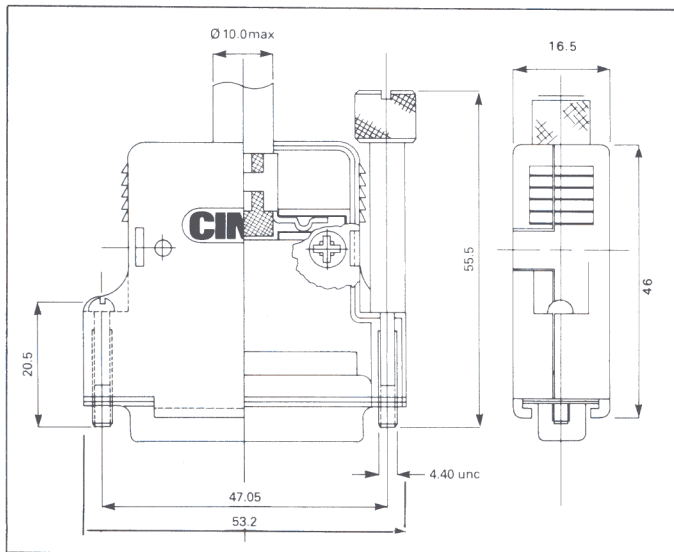
Above is just a small selection of the cable assemblies available from Cinch Connectors. Any Cable Assembly, which incorporates, Cinch's comprehensive range of connectors, can be produced entirely to your specification.

Talk to our Technical Team soon regarding your Cable Assembly requirements.

Slimline Hoods



- Slim to accommodate high packing density
- Robust cable clamp
- Metalised for E.M.I./R.F.I shielding
- Supplied complete with jack screws or finger screws
- Crimp on cable clamp for high speed assembly
- Cable clamp terminates to cable screen & metalised hood ensuring positive screen continuity
- Cable clamp hand crimp tool available Cinch Part Number W04 59911 11 434000



Shell Size	Part Number	
	with long jack screws	with short jack screws
B	DRH 25-4	DRH 25-5

CINCH

Solutions that Connect.