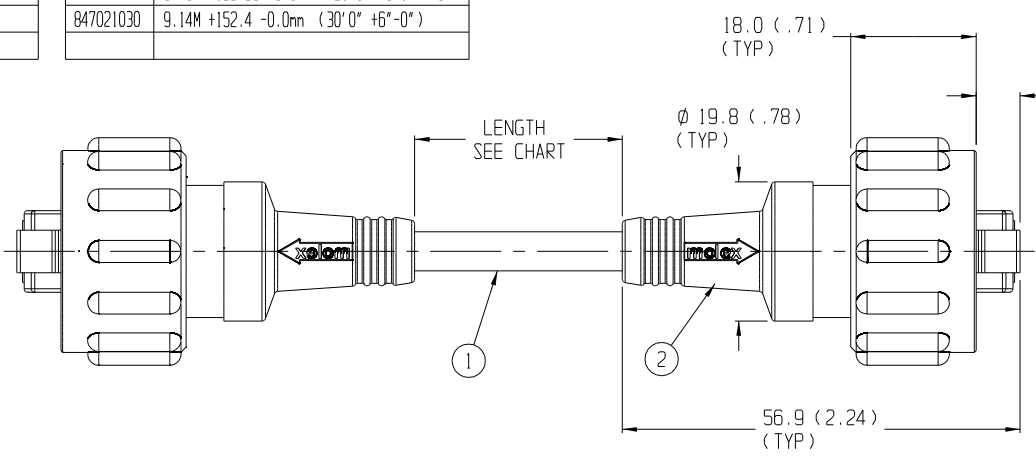
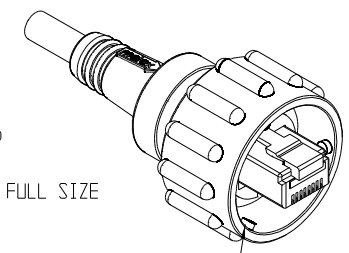


PART NO.	LENGTH	PART NO.	LENGTH
847021001	.30M +6.35 -0.0mm (1'0" +1/4"-0")	847021007	2.13M +44.4 -0.0mm (7'0" + 1 3/4"-0")
847021003	.91M +19.05 -0.0mm (3'0" +3/4"-0")	847021010	3.0M +63.5 -0.0mm (10'0" +2 1/2"-0")
847021006	1.83M +38.1 -0.0mm (6'0" +1 1/2"-0")	847021015	4.57M +95.2 -0.0mm (15'0" +3 3/4"-0")
847021009	2.74M +63.5 -0.0mm (9'0" +2 1/2"-0")	847021021	6.40M +133.35 -0.0mm (21'0" +5 1/4"-0")
847021012	3.66M +76.2 -0.0mm (12'0" +3"-0")	847021030	9.14M +152.4 -0.0mm (30'0" +6"-0")
847021020	6.10M +127 -0.0mm (20'0" +5"-0")		



OPPOSITE END NOT SHOWN

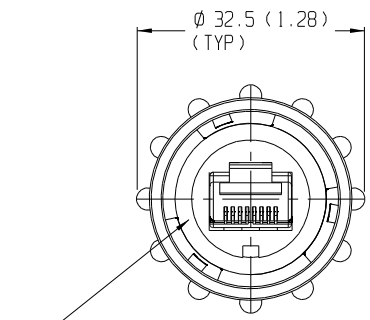
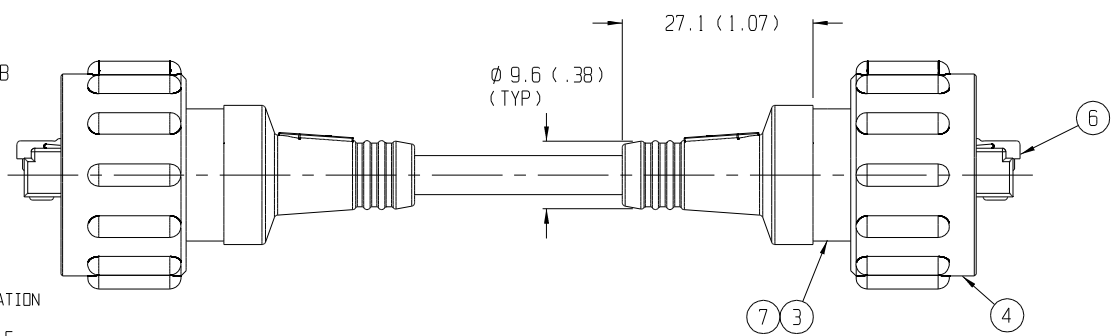


FULL SIZE

BAYONET LOCK

1	WHT ORG	1
2	ORG	2
3	WHT GRN	3
4	BLU	4
5	WHT BLU	5
6	GRN	6
7	WHT BRN	7
8	BRN	8

WIRING DIAGRAM
POLARIZATION & SEQUENCE EIA 568B



- NOTES:
1. MATERIAL: SEE TABLE
 2. FINISHES: SEE TABLE
 3. PRODUCT SPECIFICATION: SEE SPECIFICATION
 4. PACKAGING: AS REQUIRED
 5. MATES WITH: I. E. RJ-45 BAYONET STYLE

ITEM	QTY.	DESCRIPTION	MATERIAL	FINISH
7	2	WEDGE	POLYESTER	BLACK
6	2	PLUG RJ-45, SHIELDED	-	-
5	2	GASKET SEAL	NITRILE	BLACK
4	2	COUPLING RING	POLYESTER	BLACK
3	2	HOLDER	POLYESTER	BLACK
2	2	OVER MOLDED BODY	PVC	BLACK
1	1	CABLE UTP	-	GRAY

06-22-04	REV	DESCRIPTION
EC NO. 11564		
DRWN: S. GILBERT		
CHK: K.		
APPR:		

QUALITY SYMBOLS	GENERAL TOLERANCES: (UNLESS SPECIFIED)	SCALE	DESIGN UNITS
MAJOR =	mm INCH	1.5:1	mm INCH
CRITICAL =	4 PLACES ±.038 ±.005		
C =	3 PLACES ±.038 ±.005		
SPC =	2 PLACES ±.13 ±.01		
S =	1 PLACE ±.3 ±.01		
	ANGULAR: ±2°		

DRAWN BY & DATE	S. GILBERT 8-18-03
CHECKED BY & DATE	P. WALTZ 8-18-03
APPROVED BY & DATE	G. ROBERTSON 8-18-03
CAD FILENAME	SD-84702-001

PROJECT NO. PDR 04-26	-	-
DIMENSIONS:	SHT	REV
<input checked="" type="checkbox"/> mm <input type="checkbox"/> INCH	<input type="checkbox"/> mm <input type="checkbox"/> ONLY	REVISE ON CAD ONLY
TITLE: PLUG, RJ-45, BOYONET STYLE, DOUBLE ENDED CORD, CIC INDUSTRIAL ETHERNET		
MOLEX INCORPORATED		
MATERIAL NO.	DRAWING NO.	SHEET NO.
SEE CHART	SD-84702-001	1 OF 1
THIS DRAWING CONTAINS INFORMATION THAT IS PROPRIETARY TO MOLEX INCORPORATED AND SHOULD NOT BE USED WITHOUT WRITTEN PERMISSION.		SIZE B