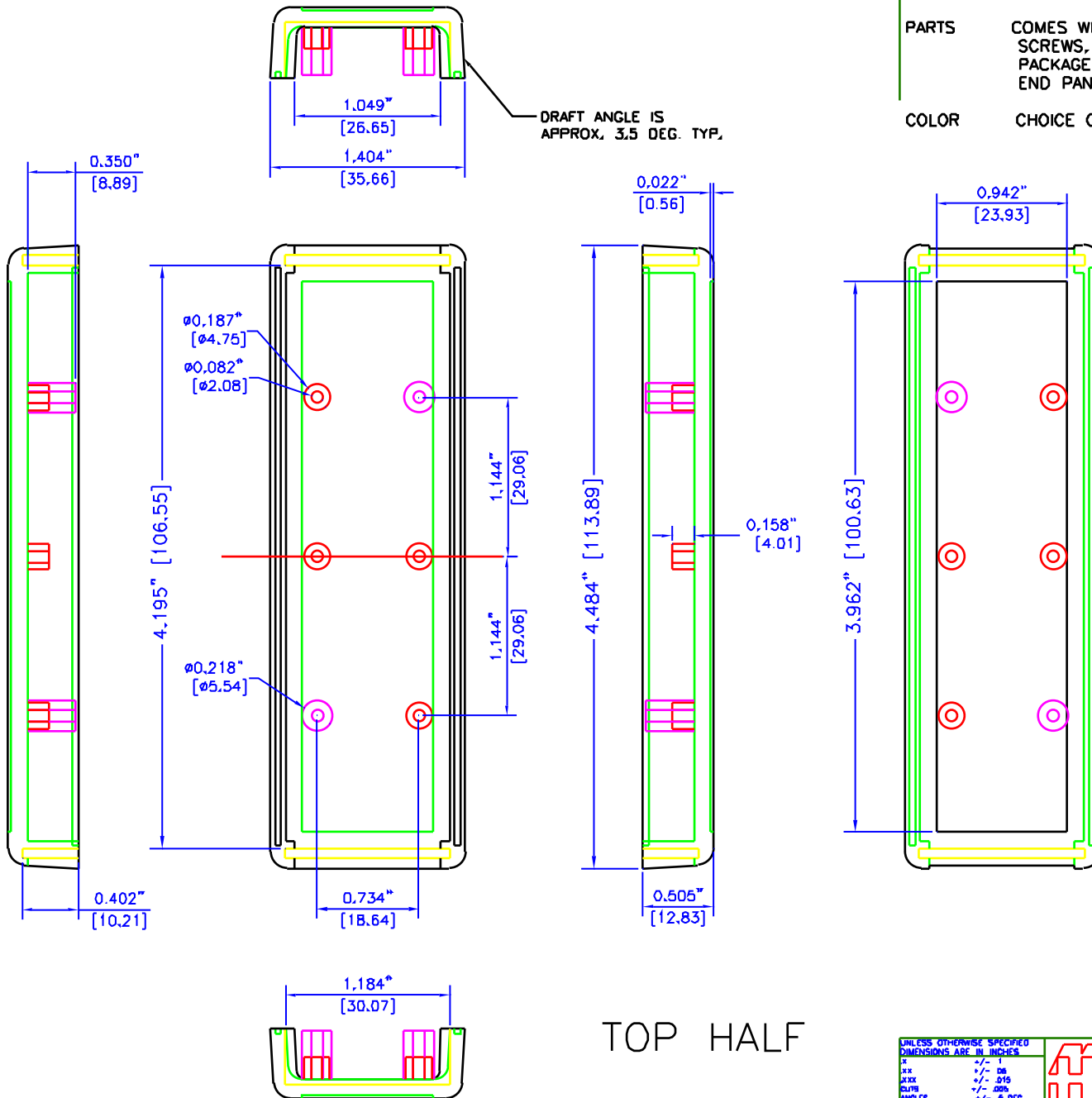


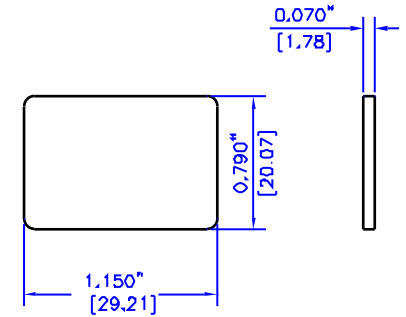
NOTES

- MATERIAL** MOLDED USING GENERAL PURPOSE ABS PLASTIC
- PARTS** COMES WITH SELF TAPPING, OVAL HEAD TYPE, #4 X 0.625" SCREWS, REPLACEMENT PART NUMBER 1593MS100 - PACKAGE OF 100. COMES WITH 2 FLAT AND 2 BEVELED END PANELS.
- COLOR** CHOICE OF BLACK OR GRAY,

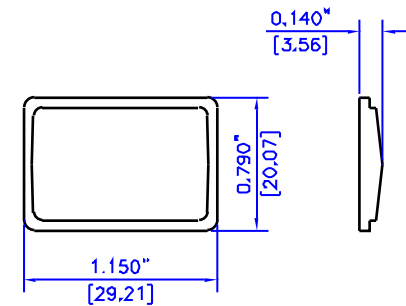


TOP HALF

FLAT END PANEL



BEVELED END PANEL



UNLESS OTHERWISE SPECIFIED
DIMENSIONS ARE IN INCHES

.XX ±.01
 .XXX ±.005
 .XXXX ±.0025
 FRACTIONS ±.005
 ANGLES ±.5 DEG.

MINUS
 THE MATERIALS AND MANUFACTURING RIGHTS TO
 THIS DESIGN ARE HEREBY ASSIGNED TO
 HAMMOND MFG. CO. AS A REFERENCE FOR
 ENGINEERING INFORMATION ONLY THIS
 INFORMATION MAY NOT BE USED TO
 REPRODUCE OR MANUFACTURE ANY PARTS
 WITHOUT THE WRITTEN PERMISSION OF
 HAMMOND MANUFACTURING.



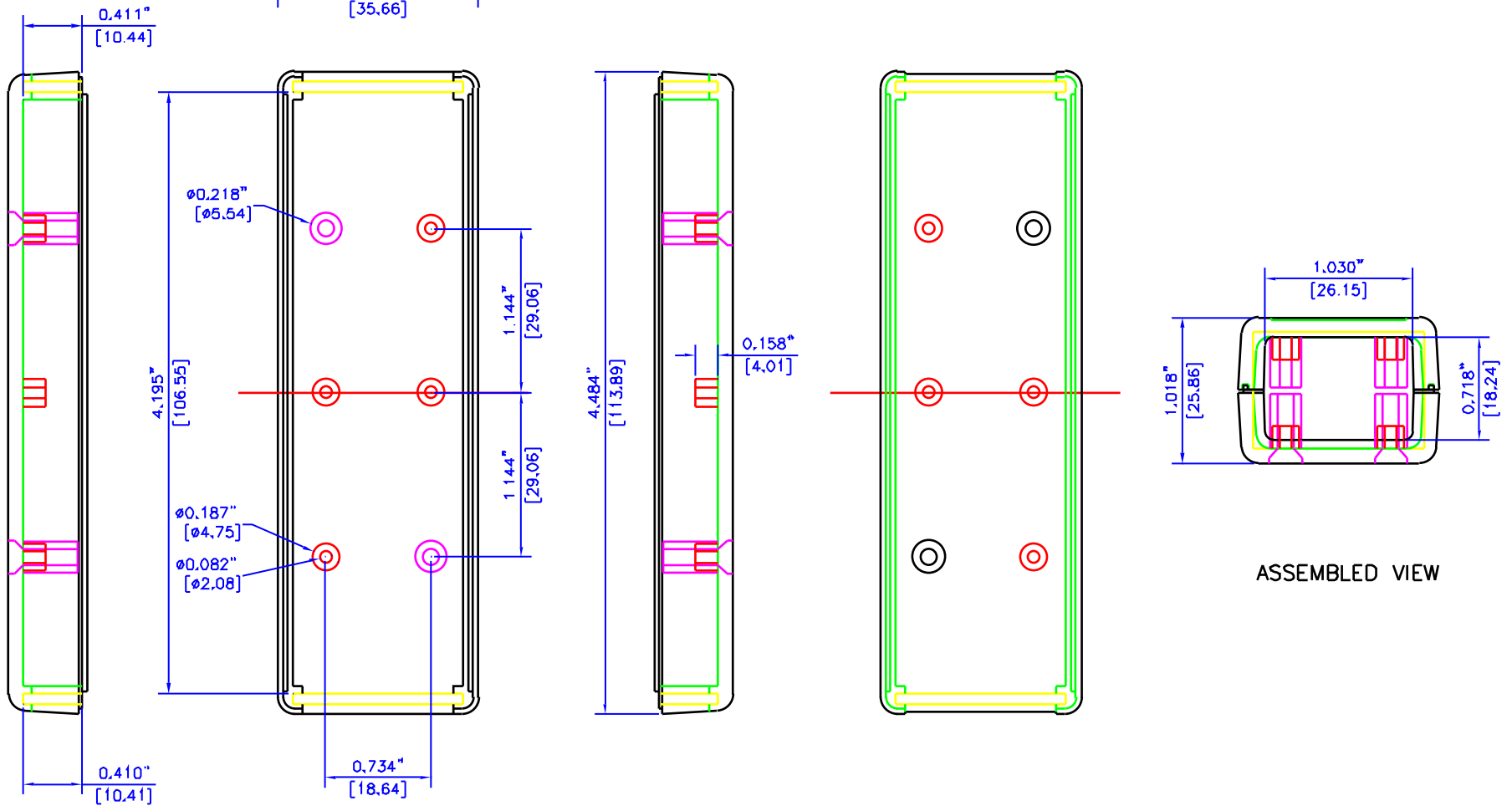
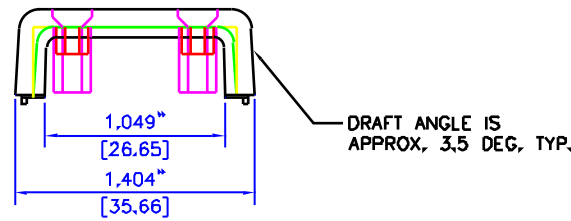
**HAMMOND
MANUFACTURING**

WEB: WWW.HAMMONDMFG.COM

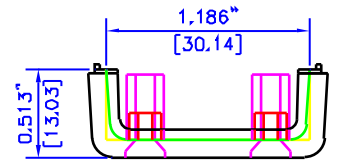
TITLE		HAMMOND 1593 SERIES INSTRUMENT ENCLOSURE	
DRAWN BY	MJM	DATE	01/27/01
SCALE		PAGE	1 OF 2
PART NUMBER		1593D	

NOTES

- MATERIAL** MOLDED USING GENERAL PURPOSE ABS PLASTIC
- PARTS** COMES WITH SELF TAPPING, OVAL HEAD TYPE, #4 X 0.625" SCREWS. REPLACEMENT PART NUMBER 1593MS100 - PACKAGE OF 100, COMES WITH 2 FLAT AND 2 BEVELED END PANELS.
- COLOR** CHOICE OF BLACK OR GRAY,



ASSEMBLED VIEW



BOTTOM HALF

UNLESS OTHERWISE SPECIFIED DIMENSIONS ARE IN INCHES
 XX +/- .1
 XXX +/- .05
 CUTS +/- .005
 ANGLES +/- .5 DEG
 FINISHES
 UNLESS OTHERWISE SPECIFIED FINISHES TO THE MATERIAL OR HAS OTHERWISE IS TO BE PROVIDED TO THE USER AS A REFERENCE FOR ENGINEERING INFORMATION ONLY. THIS INFORMATION MAY NOT BE USED TO MANUFACTURE PRODUCT WITHOUT WRITTEN PERMISSION FROM HAMMOND MANUFACTURING.



TITLE		HAMMOND 1593 SERIES INSTRUMENT ENCLOSURE	
DRAWN BY	MJM	DATE	01/27/01
SCALE		PAGE	2 OF 2
PART NUMBER		1593D	