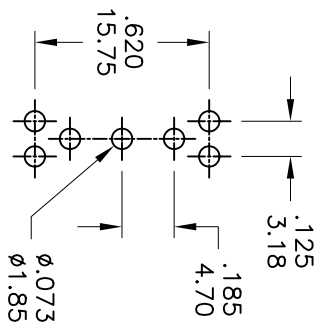


P.C. MOUNTING



| Model No.   | POS.1 | POS.2 | POS.3 |
|-------------|-------|-------|-------|
| 1AS1        | ON    | NONE  | ON    |
| Term. Comm. | 2-3   | OPEN  | 2-1   |
| SCHEMATIC   |       |       |       |

SWITCH FUNCTION

**SPECIFICATIONS**

**ELECTRICAL LIFE:** 30,000 make-and-break cycles at full load.  
**CONTACT RESISTANCE:** 10m Ω max. initial @ 2-4VDC  
 100mA for both silver and gold plated contacts.  
**INSULATION RESISTANCE:** 1,000M Ω min.  
**DIELECTRIC STRENGTH:** 1,000 V RMS@sea level.  
**OPERATING TEMPERATURE:** -30 ° C to 85 ° C.

**MATERIALS**

**CASE BUSHING:** Glass filled nylon 66, flame retardant, heat stabilized(UL94v-0).  
**ACTUATOR:** Brass,chrome plated with internal, O-ring seal standard.  
**SWITCH SUPPORT:** Brass or steel, tin plated.  
**SWITCH SUPPORT RETAINER:** Stainless Steel.  
**CONTACT/TERMINAL:** copper alloy, with Silver or gold plated.

**RATING :**

R : 0.4 Volt-Amps(VA) max. @20V max.(AC or DC)  
 Q : 2Amps @250VAC  
 5Amps @120 VAC or 28 VDC

| 符號 | 原尺寸 | 修改後尺寸 | 變更日期 |
|----|-----|-------|------|
| 1  | (A) |       |      |
| 2  | (B) |       |      |
| 3  | (C) |       |      |
| 4  | (D) |       |      |
| 5  | (E) |       |      |

|                         |                  |
|-------------------------|------------------|
| <b>SCALE (比例) :</b>     | <b>3 : 2</b>     |
| <b>TOLERANCE (公差) :</b> | 0.00 mm ± 0.25mm |
| <b>ANGULAR :</b>        | ± 2.54 mm        |
| <b>FILE NAME :</b>      | 1ASPP0011        |

|                                       |  |                           |  |          |  |                 |  |          |  |          |  |          |  |          |  |
|---------------------------------------|--|---------------------------|--|----------|--|-----------------|--|----------|--|----------|--|----------|--|----------|--|
| <b>德</b>                              |  | <b>利</b>                  |  | <b>威</b> |  | <b>電</b>        |  | <b>子</b> |  | <b>有</b> |  | <b>限</b> |  | <b>公</b> |  |
| <b>DAILYWELL ELECTRONICS CO.,LTD.</b> |  |                           |  |          |  |                 |  |          |  |          |  |          |  |          |  |
| TITLE                                 |  | Miniature Toggle Switches |  |          |  |                 |  |          |  |          |  |          |  |          |  |
| DWG NO.                               |  | 1AS1T2B4VS2RE             |  |          |  |                 |  |          |  |          |  |          |  |          |  |
| REV.                                  |  | A                         |  | DATE     |  | FEB - 20 - 2002 |  | SHEET    |  | 張數       |  | 1 of 1   |  |          |  |
| CHECKED BY                            |  | Jack                      |  | DRAWN BY |  | BOBO            |  |          |  |          |  |          |  |          |  |