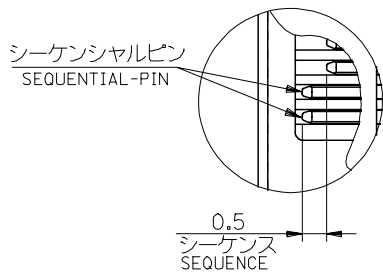
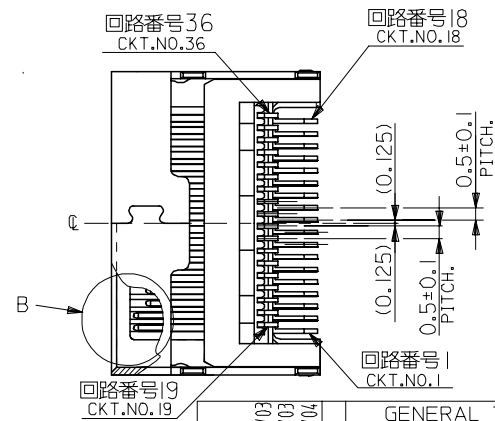


DETAIL A
SCALE 10:1



DETAIL B
SCALE 10:1

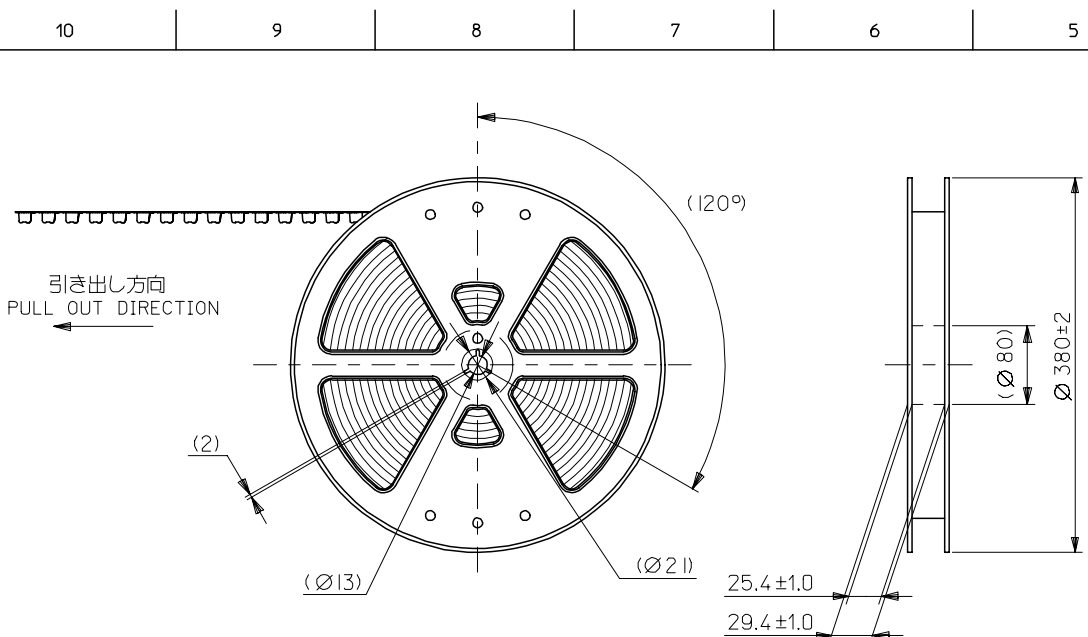


NOTE:

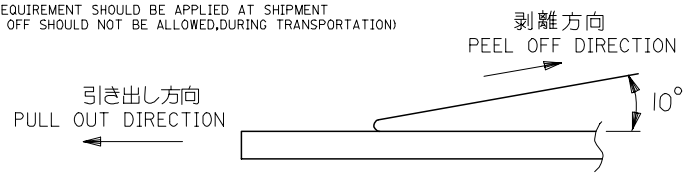
1. 適合リセ番号: 36 PIN : 54944-3671
APPLICABLE REC.NO.:
2. 材質
MATERIAL
 - 2-1. ハウジング: ガラス入り耐熱樹脂
94V-0, 黒色
HOUSING: G.F.HEAT RESISTANT PLASTIC
94V-0, BLACK COLOR
 - 2-2. ターミナル: 銅合金
TERMINAL COPPER ALLOY
 - 2-3. プラグ シールド: ステンレス鋼
PLUG SHIELD STAINLESS STEEL
3. メッキ仕様
PLATING
 - 3-1. ターミナル
TERMINAL
 - 3-1-1. 接点部 : 金メッキ 0.1umMIN.
CONTACT AREA GOLD
 - : パラジウムニッケルメッキ 0.2umMIN.
 PALLADIUM-NICKEL
 - 3-1-2. 半田付け部 : 錫メッキ 1.0um MIN.
 SOLDER TAIL AREA TIN
 - 3-1-3. 下地メッキ : ニッケルメッキ 1.5 ~ 3um
 UNDER-PLATING NICKEL
 - 3-2. プラグ シールド
PLUG SHIELD
 - 3-2-1. 金コート処理
GOLD COATING
 - 3-2-2. 下地メッキ : ニッケルメッキ 1.0 ~ 2um
 UNDER-PLATING NICKEL
4. 本製品は 55929-3625 の鉛フリー品である。
THIS PRODUCT IS LEAD FREE OF 55929-3625.

501231-3625	501231-36**
MATERIAL NO.	MODEL NO.

RELEASED EC NO: J2005-0370 DRAWN: MNABE1 CHKD: KTOJO APPR: NUKITA	GENERAL TOLERANCES (UNLESS SPECIFIED)		DIMENSION STYLE MM ONLY		SCALE 5:1	DESIGN UNITS METRIC	THIRD ANGLE PROJECTION	
	10 UNDER	±0.2	DRAWN BY	DATE	TITLE			
	10 OVER 30 UNDER	±0.25	MNABE1	'04/08/02	0.5 I/O CONN 36PIN PLUG HSG ASSY -LEAD FREE-			
	30 OVER	±0.3	KTOJO	'04/08/02				
ANGULAR	±3 °	APPROVED BY	DATE	MOLEX INCORPORATED		DOCUMENT NO.		SHEET NO.
DRAFT WHERE APPLICABLE MUST REMAIN WITHIN DIMENSIONS		MATERIAL NO.	SEE CHART		SD-501231-001		1 OF 2	
THIS DRAWING CONTAINS INFORMATION THAT IS PROPRIETARY TO MOLEX INCORPORATED AND SHOULD NOT BE USED WITHOUT WRITTEN PERMISSION								



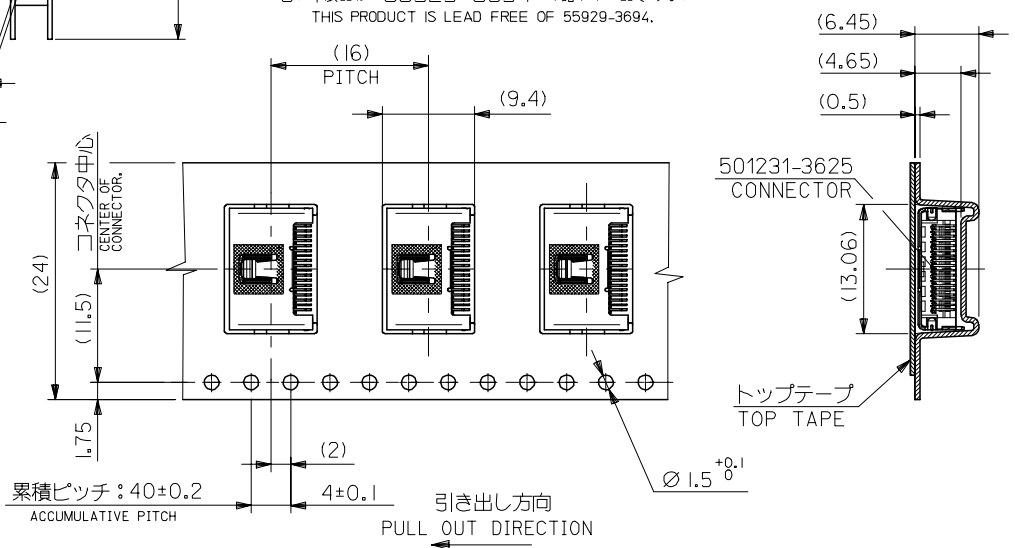
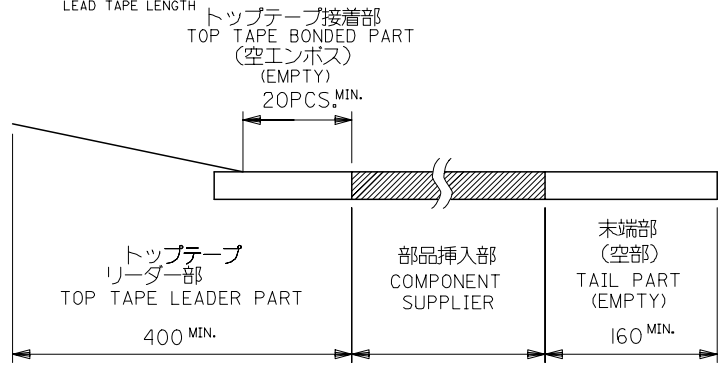
4. トップテープの剥離強度：(剥離方向は下図参照)
 PEELING OFF FORCE OF TOP TAPE (PEELING DIRECTION AS SHOWN IN FOLLOWING FIG.)
 0.1~1.3N (10~130gf)
 尚、本規格値は、出荷時に適用。
 (但し、輸送時に剥離が発生しない事。)
 THIS REQUIREMENT SHOULD BE APPLIED AT SHIPMENT
 (PEEL OFF SHOULD NOT BE ALLOWED,DURING TRANSPORTATION)



5. 材料
 MATERIAL
 キャリアテープ : ポリプロピレン (PP)
 CARRIER TAPE : POLYPROPYLENE (PP)
 トップテープ : PET, PE, PEF
 TOP TAPE : PET, PE, PEF
 リール : ポリスチレン
 REEL : POLYSTYLENE

6. 本製品は 55929-3694 の鉛フリー品である。
 THIS PRODUCT IS LEAD FREE OF 55929-3694.

注記
 NOTES 1. 製品番号 501231-3625 の詳細寸法については、SD-501231-001 を参照下さい。
 IN THE PACKAGE, PART NO.501231-3625 RE DETAILED DIMENSIONS, SEE SD-501231-001.
 2. 梱包数量 : 900個/リール
 NUMBER OF CONNECTORS : 900 PCS/REEL
 3. リードテープ長さ
 LEAD TAPE LENGTH



59499-0103	59499-7803	59405-2436	36	501231-3625	501231-3674	501231-367*
TOP TAPE	REEL	EMBOSSED TAPE	CKT.	CONNECTOR	R MATERIAL NO.	MODEL NO.

RELEASED EC NO: J2005-0370 DRAWN: MNABE CHKD: KTOJO APPR: NUKITA 2004/08/03 2004/08/03 2004/08/04	GENERAL TOLERANCES (UNLESS SPECIFIED)		DIMENSION STYLE MM ONLY		SCALE ---	DESIGN UNITS METRIC	THIRD ANGLE PROJECTION
	10 UNDER	±0.2	DRAWN BY MNABE1	DATE '04/08/02	TITLE EMBOSSED TAPE PACKAGE FOR 501231-**** -LEAD FREE-		
	10 OVER 30 UNDER	±0.25	CHECKED BY KTOJO	DATE '04/08/02			
	30 OVER	±0.3	APPROVED BY NUKITA	DATE '04/08/02	MOLEX INCORPORATED DOCUMENT NO. SD-501231-002 SHEET NO. 1 OF 1		
	ANGULAR	±3 °	MATERIAL NO.	SIZE A3			
DRAFT WHERE APPLICABLE MUST REMAIN WITHIN DIMENSIONS		SEE CHART		THIS DRAWING CONTAINS INFORMATION THAT IS PROPRIETARY TO MOLEX INCORPORATED AND SHOULD NOT BE USED WITHOUT WRITTEN PERMISSION			