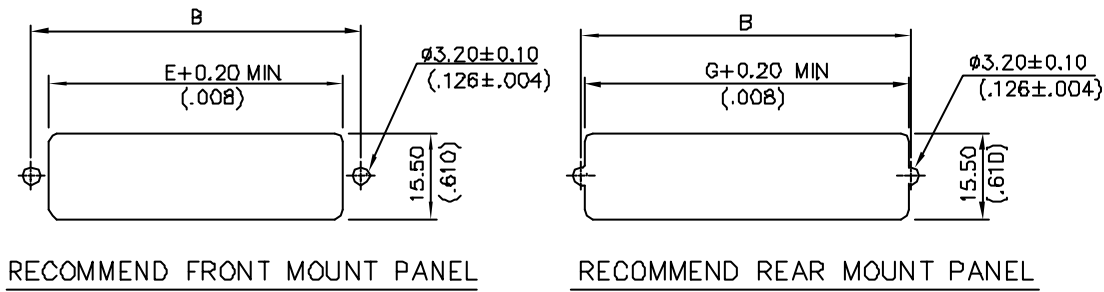
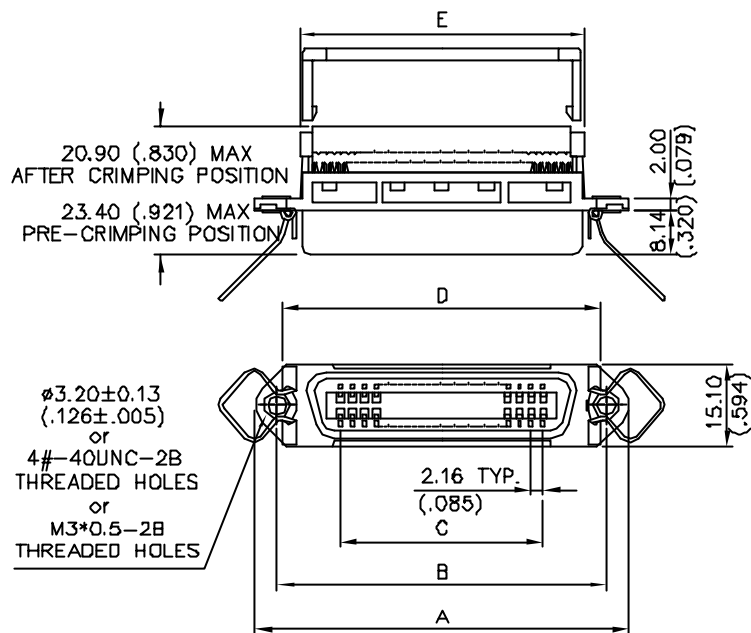


REV.	ZONE	LTR	DESCRIPTION	DATE	REVISER	APPD
7		△	依 ECR 新增客戶碼及注解	07/24-'01	Liu.ZK	

**SPECIFICATIONS:**

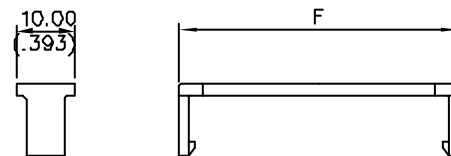
- .Current rating : 1A : AWG28/1, 2A : AWG26
- .Insulation resistance :  $\geq 1000 M\Omega$
- .Dielectric withstanding volatge : 500V,at sea level
- .Operating temperature :  $-55^{\circ}C \sim 105^{\circ}C$  (limited by cable)
- .Contact resistance  $\leq 20m\Omega$
- .Dielectric material : PBT & glass reinforced,UL 94V-0
- .Contact material : phosphor bronze
- .Contact plating : gold over nickel
- .Wire size : AWG26 & AWG28 stranded, 1.27mm conductor center flat cable



**ORDERING INFORMATION**

5F 40 500 M - 1 0 P S - C △  
 (1) (2) (3) (4) (5) (6) (7) (8) (9)

- Series Number :  
5F : I.D.C. ribbon connector
- Contact & Connecting types :  
10 : Plug, rack & panel connecting type  
20 : Socket, rack & panel connecting type  
30 : Plug, cable to panel connecting type  
40 : Socket, cable to panel connecting type
- Number of Contacts :  
240 : 24 Positions  
360 : 36 Positions  
500 : 50 Positions
- Housing Construction Types :  
P : All plastic type  
M : With metal front shell
- Color Codes :  
1 : Blue  
2 : Gray  
3 : Black
- Contact Finish :  
0 : Selected gold flash over nickel  
2 : 15 $\mu$ " Selected gold plated over nickel  
3 : 30 $\mu$ " Selected gold plated over nickel
- Strain Relief:  
N : Without strain relief  
P : Plastic strain relief
- Mounting Types :  
S : Standard Through holes  
R : With rivet through holes  
T : With #4-40UNC threaded insert  
N : Without mounting holes (Bail mounting type)  
M : With M3\*0.5 threaded holes  
W : With M2.6\*0.45 threaded holes  
A : With  $\phi 3.20$  rivet
- CUSTOMER  
C : INLAND



STRAIN RELIEF

G	F	E	D	C	B	A	PART NO.
73.95 (2.911)	70.90 (2.779)	68.50 (2.697)	73.75 (2.904)	51.84 (2.041)	74.85 (2.947)	82.80 (3.260)	5F40500M
$\pm 0.25$ (.010)	$\pm 0.25$ (.010)	$\pm 0.25$ (.010)	$\pm 0.20$ (.008)	$\pm 0.13$ (.005)	$\pm 0.13$ (.005)	$\pm 0.25$ (.010)	
MATERIAL		TOLERANCE UNSPECIFIED					
		.000 ±		SCALE		UNIT	
		.00 ±0.25		1 : 1		mm(inch)	
		ANGLE ±		NAME			
		DRAWN 葉麗琴 81/5/8		5F 40 SERIES			
		DESIGNER		RIBBON CONN.-RECEPTACLE WITH METAL FRONT SHELL			
		CHECKED Peter 7/27'01		DRAWING NO.			
		APPROVED James 7/27'01		R-S105F-8			
				SHEET 1 / 1			
				REV. 7			