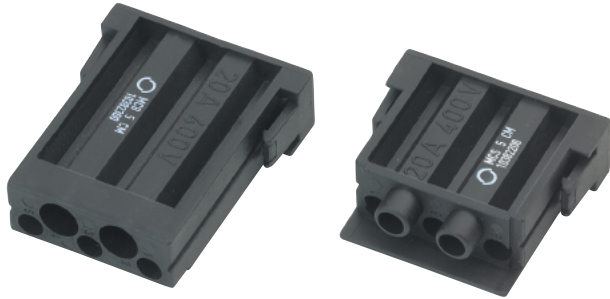


EPIC® Rectangular Connectors



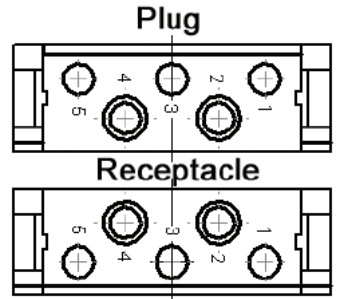
MC Series Plugs & Receptacles

5 CONTACT HIGH VOLTAGE MODULES



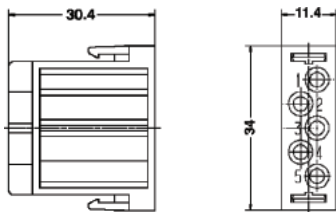
Rated Voltage:
400V

Rated Current:
20A

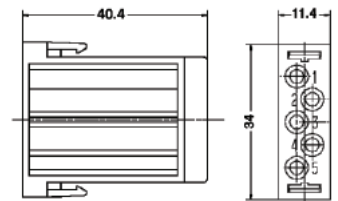


Plug

Receptacle

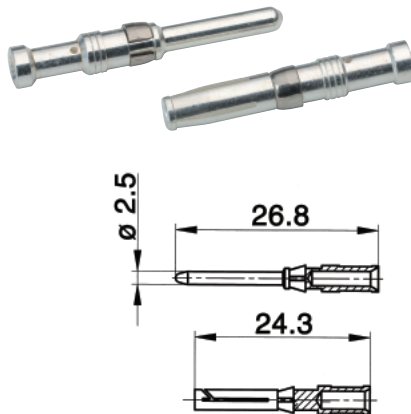


Plug	Receptacle
10382200	10382300



Contacts Sold Separately

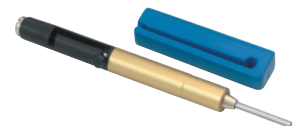
MACHINE CONTACTS: DIAMETER 2.5 MM



Bags of 100					
mm ²	AWG	Silver		Stripping Length (mm)	# of Marking Tracks
		Pin	Socket		
0.5	20	1121300C	1121800C	7.8	-
0.75 - 1.0	18	1121310C	1121810C	7.8	1
1.5	16	1121320C	1121820C	7.8	2
2.5	14	1121330C	1121830C	7.8	3
4.0	12	1121340C	1121840C	7.8	-

Part number= 1 contact

CRIMP TOOLS



Crimp Tool
11147000

Crimp Dies
11147100

Locator
11147200

Removal Tool
11171000