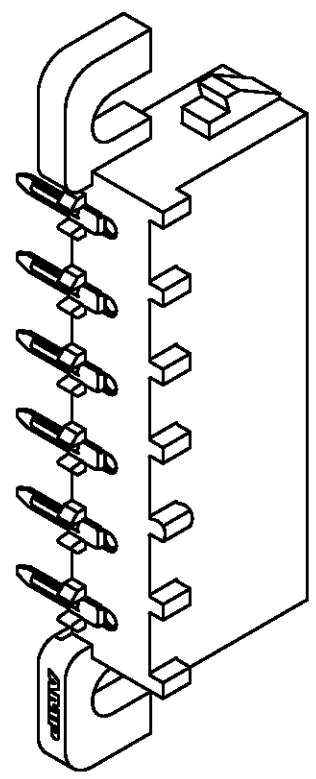
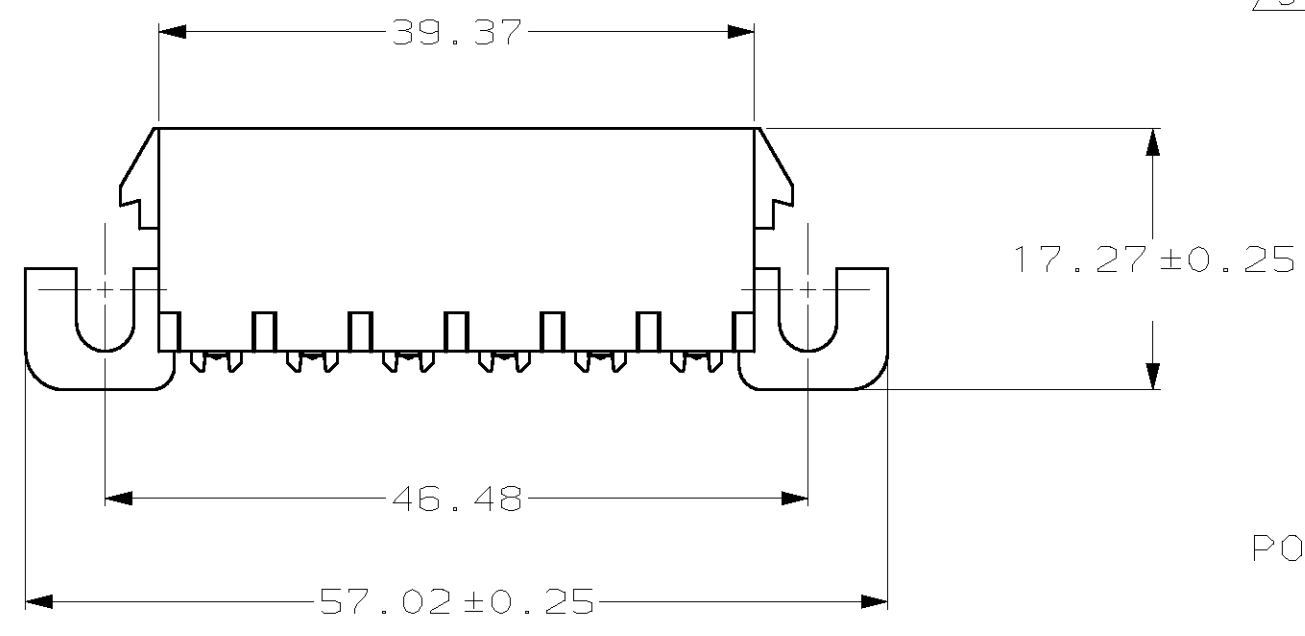
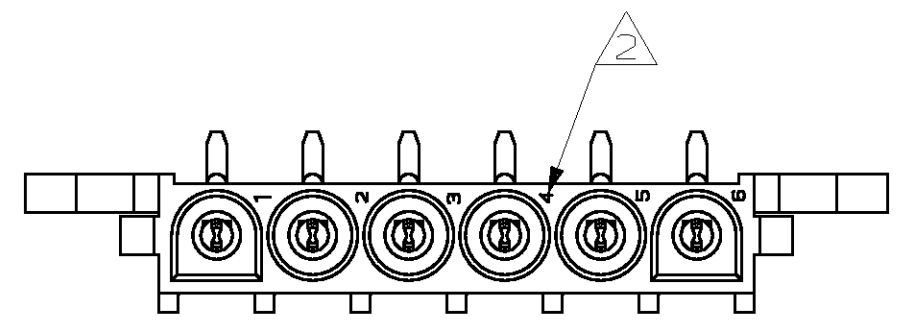


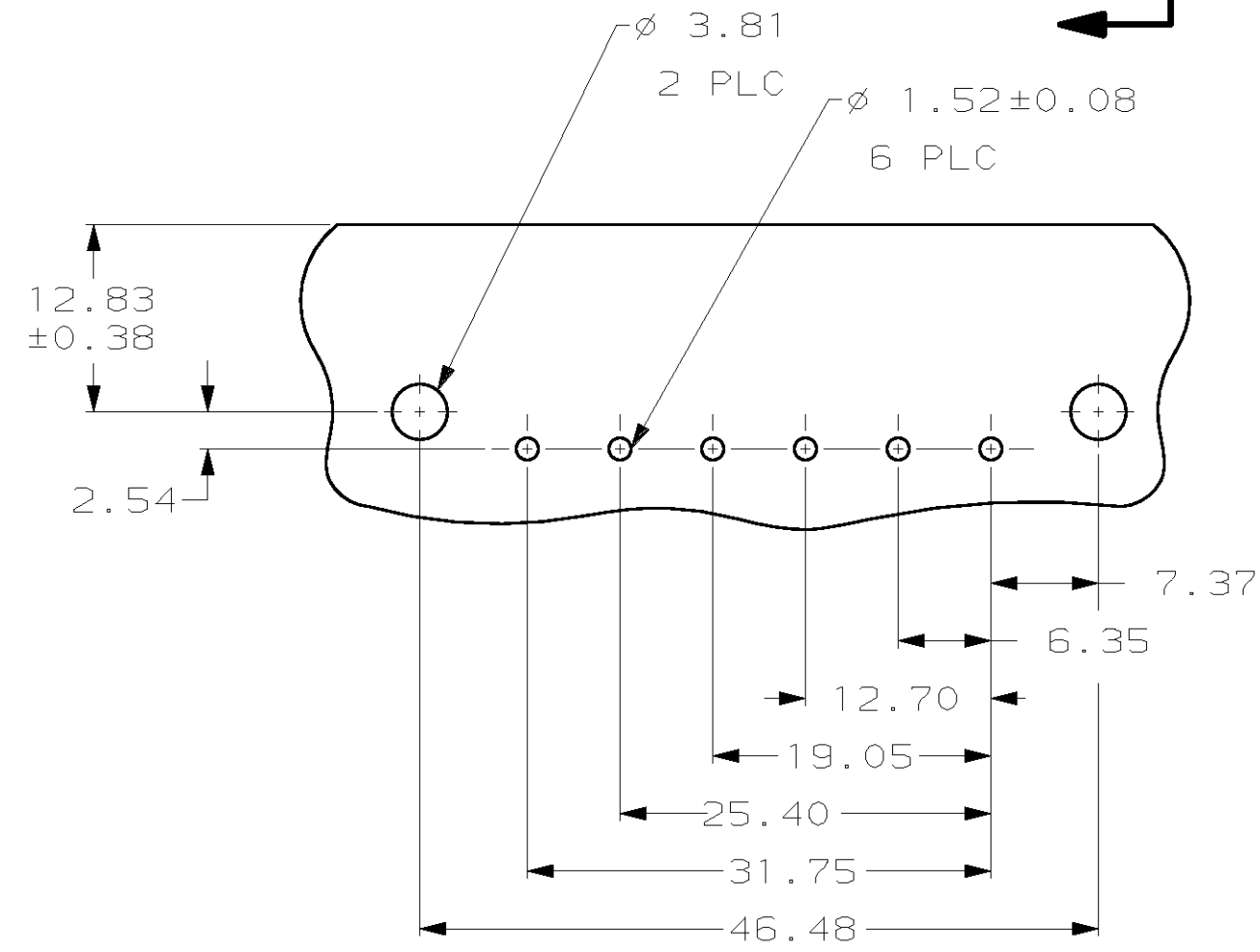
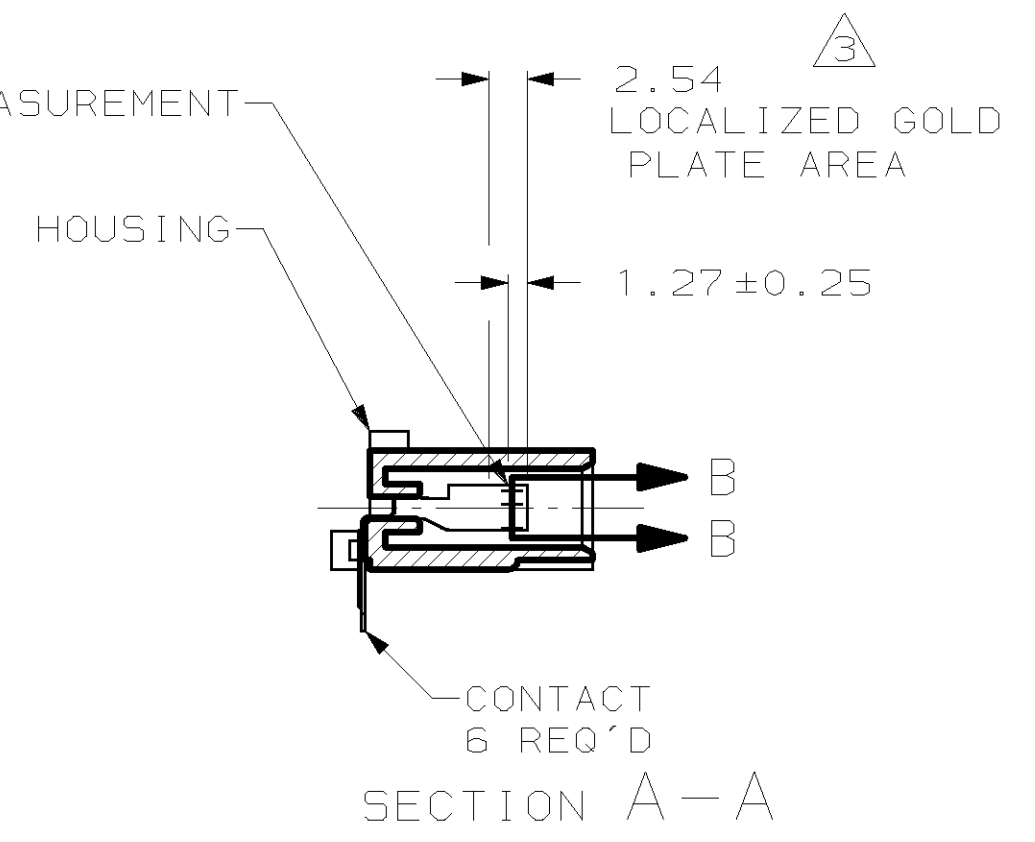
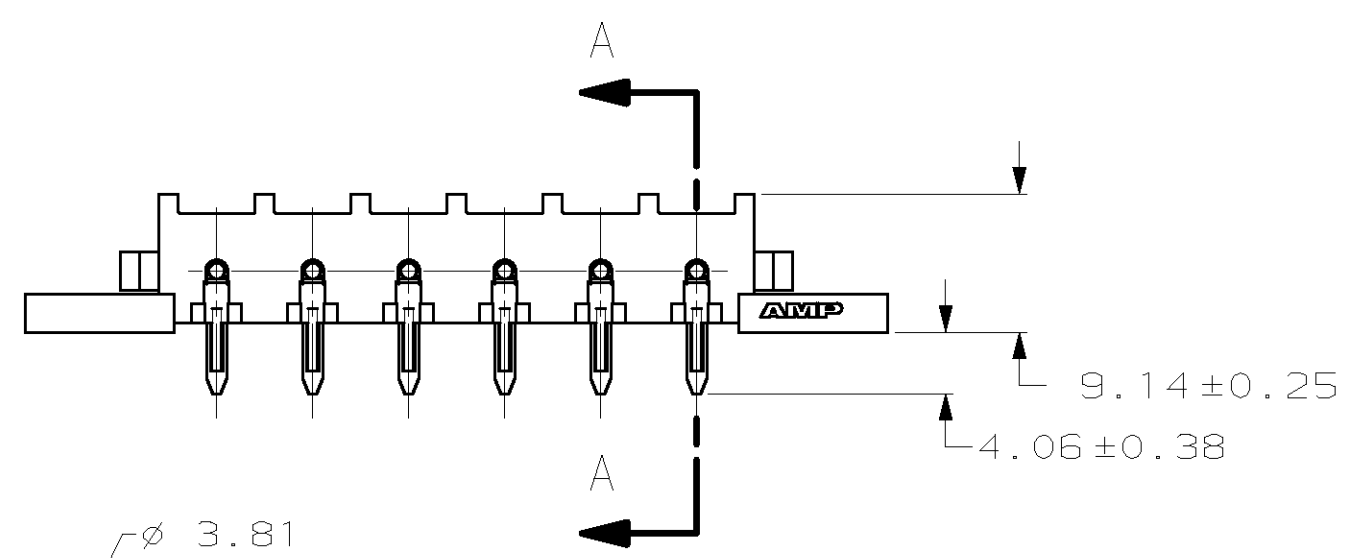
REV	DESCRIPTION	DATE	DWN	APVD
C	REV & REDWN PER EC 0816-98	5-01-98	BL	RS



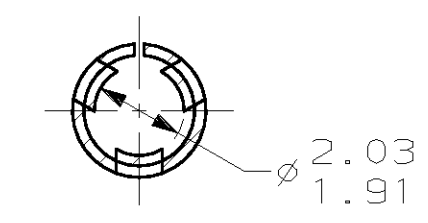
3-DIMENSIONAL MODEL NTS



- PARTS COMPLY WITH AMP SOLDERABILITY SPECIFICATION 109-11-5.
- CIRCUIT IDENTIFICATION CHARACTERS ARE ADJACENT TO THE INDICATED CAVITIES, BUT LOCATION AND ORIENTATION MAY DIFFER FROM PRINT.
- 0.00076 GOLD OVER 0.00127 MIN NICKEL WITH MATTE TIN ON SOLDER TAIL.



RECOMMENDED MOUNTING HOLE PATTERN FOR 1.57 THICK P.C. BOARD



SECTION B-B SCALE 6:1

MM	IN	MM	IN
3.81	.150	57.02	2.245
2.54	.100	46.48	1.830
2.03	.080	39.37	1.550
1.91	.075	31.75	1.250
1.57	.062	25.40	1.000
1.52	.060	19.05	.750
1.27	.050	17.27	.680
0.38	.015	12.83	.505
0.25	.010	12.70	.500
0.13	.005	9.14	.360
0.08	.003	7.37	.290
0.00127	.000050	6.35	.250
0.00076	.000030	4.06	.160
MM	IN	MM	IN

CONVERSION TABLE

**METRIC**

DIMENSIONS: mm (INCHES)		TOLERANCES UNLESS OTHERWISE SPECIFIED:	
0 PLC	±	1 PLC	±
2 PLC	±	3 PLC	±0.13
4 PLC	±	5 PLC	±
ANGLES	±	FINISH	±0°30'
MATERIAL: SEE TABLE		SEE TABLE	

PH BRZ GOLD $\Delta$ 3	NYLON, UL94V-0	643234-2
PH BRZ TIN	NYLON, UL94V-0	643234-1
CONTACT	HOUSING	PART NO
DWN: B. LEWIS 5-01-98 CHK: R. SWING 5-01-98 APVD: K. COBLE 5-01-98 PRODUCT SPEC: AMP Incorporated, Harrisburg, PA 17105-3608 APPLICATION SPEC: SOCKET HEADER ASSEMBLY, RIGHT ANGLE MOUNT, 6 POSITION, UNIVERSAL MATE-N-LOK™ SIZE: A2 CAGE CODE: 00779 DRAWING NO: C-643234 WEIGHT: - SCALE: 2:1 SHEET: 1 OF 1 REV: C CUSTOMER DRAWING		