

# 5T SERIES

## STRAIGHT P.C.B. MOUNTING TYPE RIBBON CONNECTORS

### FEATURES

- Suitable for P.C.B. mount and intermateable with other standard ribbon connectors.
- Various P.C.B. mounting types provided and easy for selection.
- Metal front shells are provided to shield against EMI.
- Standard spring latches on receptacle connectors, and mounting thread are available for mounting selection.
- Insulator is made of polyester resin and glass fiber reinforced (UL94V-0) providing superior heat and chemical resistance.
- Available contacts with 36 positions.
- Recognized UL under the component program of Underwriters Laboratories Inc. File No. E112081

### SPECIFICATION

#### ELECTRICAL :

- Current Rating : 3 Amp
- Dielectric Withstanding Voltage : AC 1200 V min. (For 1 Minute)
- Insulation Resistance : 1000M $\Omega$  min. (At 500V DC)
- Contact Resistance : 25m $\Omega$  max. mated
- Working Temperature : -55 $^{\circ}$  C to + 105 $^{\circ}$  C

#### MECHANICAL :

- Insulator Material : Polyester resin and glass fiber reinforced (UL 94V-0)
- Contact Material : Phosphor Bronze
- Contact Finish : Gold over nickel
- Terminal Finish : Tin-lead over nickel
- Durability : 100Cycles min.
- Mating and Unmating Force
 

Contact Numbers	14	24	36	50
Mating Force (Kgf max.)	2.0	3.4	5.0	7.0
Unmating Force (Kgf min.)	0.9	1.5	2.2	3.0

### ORDERING INFORMATION

**5T 40 360 M- 3 0 N S**

**5T :**  
Straight P.C.B mounting type ribbon connector

**Contact & Connecting Types :**  
40 : Socket, with spring

**Number of Contacts :**  
360 : 36 positions  
500 : 50 positions

**Housing Construction Types :**  
M : W/ metal front shell

**Color Codes :**  
1 : Blue    3 : Black

**Contact Finish :**  
0 : Selective gold flash over nickel  
2 : 15u" selective gold plated over nickel  
3 : 30u" selective gold plated over nickel

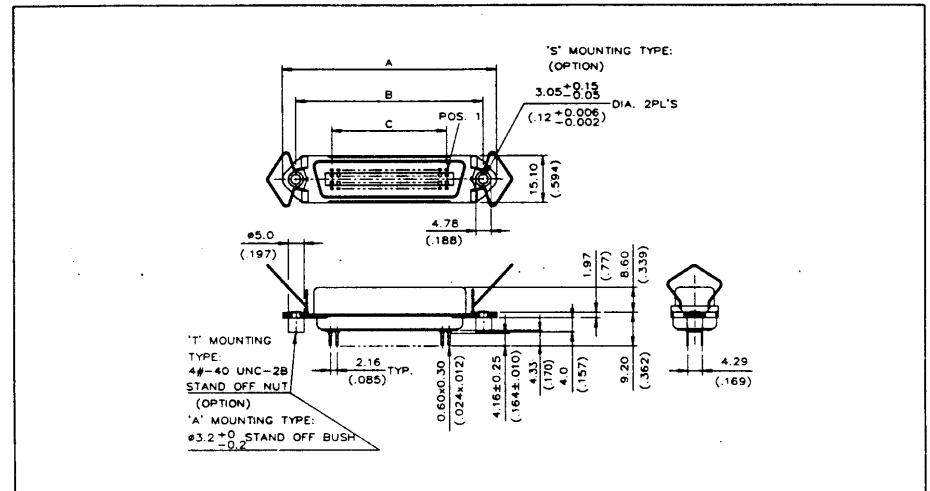
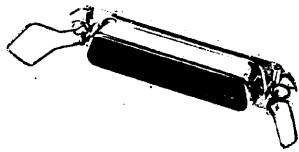
**Strain Relief :**  
N : W/o strain relief

**Mounting Types :**  
S : Standard thru holes  
T : W/ 4#40UNC stand off nut  
A : W/ 3.20 thru holes stand off bush

# 5T SERIES

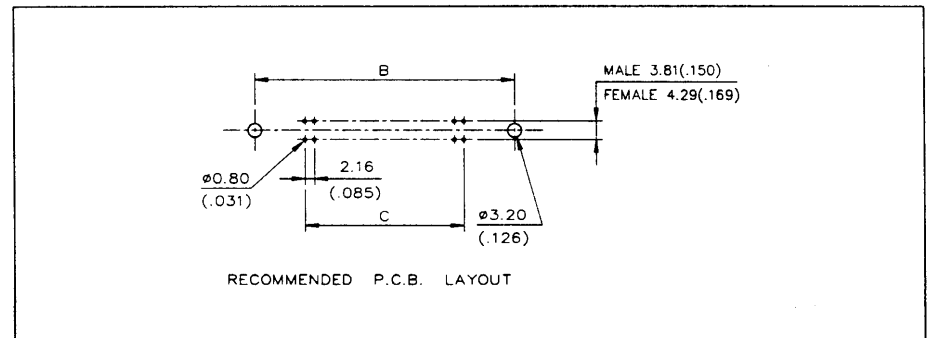
## STRAIGHT P.C.B. MOUNTING TYPE RIBBON CONNECTORS

### FEMALE — 5T40 Series (With Spring Latch Type) Unit : Millimeter (Inch)



### P.C.B. LAYOUT

Unit : Millimeter (Inch)



### DIMENSIONS

Unit : Millimeter (Inch)

Number of Positions	A	B	C
14	±0.36(0.014)	±0.13(0.005)	±0.13(0.005)
24	44.45(1.750)	35.99(1.417)	12.96(0.510)
36	55.25(2.175)	46.78(1.842)	23.76(0.935)
50	68.20(2.685)	59.74(2.352)	36.72(1.446)
	83.30(3.280)	74.85(2.947)	51.84(2.041)

# 5T SERIES

## STRAIGHT P.C.B. MOUNTING TYPE RIBBON CONNECTORS

### MOUNTING TYPES

Unit : Millimeter (Inch)

