

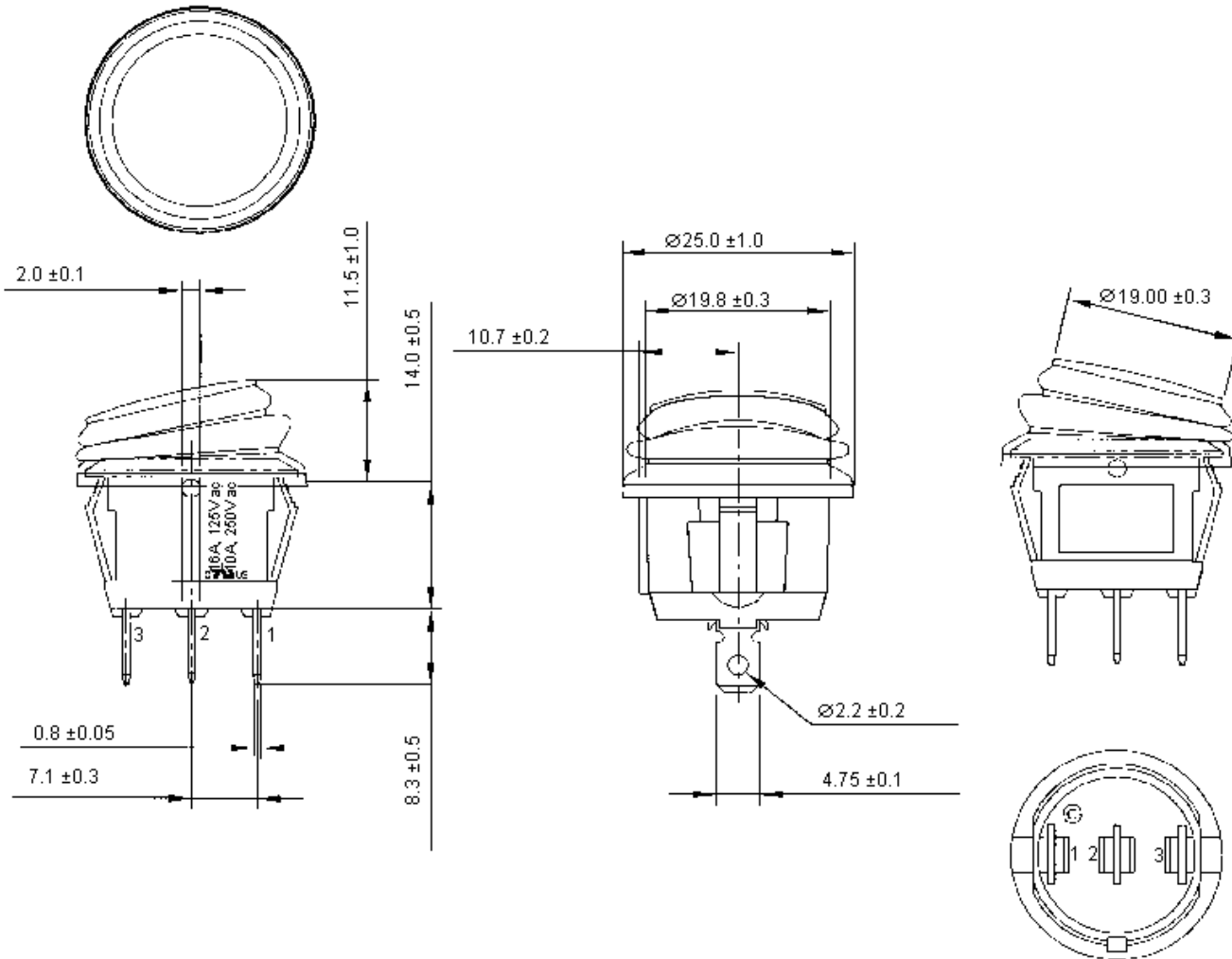


PART NO.

R13-112F8-02-BB - Series

REVISIONS

ECN #	REV	DESCRIPTION	DRAWN	DATE	CHECKD	DATE	APPRVD	DATE
-	A	RELEASED	Veena	9/13/08	Suresh	9/13/08	Farnell	9/27/08



Specifications:

Rating	: 16A, 125V ac 10A, 250V ac only for A8, B8W. 20A, 14V dc 10A, 28V dc.
Maximum contact resistance	: 50mΩ.
Minimum insulation resistance	: 500V dc, 100MΩ.
Dielectric strength	: 1500V ac for 1 minute.
Operating temperature	: -25°C to 85°C.
Material:	
Frame	: Nylon 66.
Actuator	: PC.
Terminals	: Copper alloy.
Contacts	: Ag alloy.
Waterproof rubber	: Silicone.
Waterproof	: IP65.

Dimensions : Millimetres

This data sheet and its contents (the "Information") belong to the Premier Farnell Group (the "Group") or are licensed to it. No licence is granted for the use of it other than for information purposes in connection with the products to which it relates. No licence of any intellectual property rights is granted. The Information is subject to change without notice and replaces all data sheets previously supplied. The Information supplied is believed to be accurate but the Group assumes no responsibility for its accuracy or completeness, any error in or omission from it or for any use made of it. Users of this data sheet should check for themselves the Information and the suitability of the products for their purpose and not make any assumptions based on information included or omitted. Liability for loss or damage resulting from any reliance on the Information or use of it (including liability resulting from negligence or where the Group was aware of the possibility of such loss or damage arising) is excluded. This will not operate to limit or restrict the Group's liability for death or personal injury resulting from its negligence. SPC MULTICOMP is the registered trademark of the Group. © Premier Farnell plc 2008.

TOLERANCES:
UNLESS OTHERWISE SPECIFIED, DIMENSIONS ARE FOR REFERENCE PURPOSES ONLY.

DRAWN BY:	DATE:
Veena	09/13/08
CHECKED BY:	DATE:
Suresh	09/13/08
APPROVED BY:	DATE:
Farnell	09/27/08

DRAWING TITLE:

Rocker Switch

SIZE	DWG NO.	ELECTRONIC FILE	REV
A	M10001743	R13-112 Waterproof Ser+sci_DWG	A
SCALE: NTS	U.O.M.: mm	SHEET: 1 OF 4	



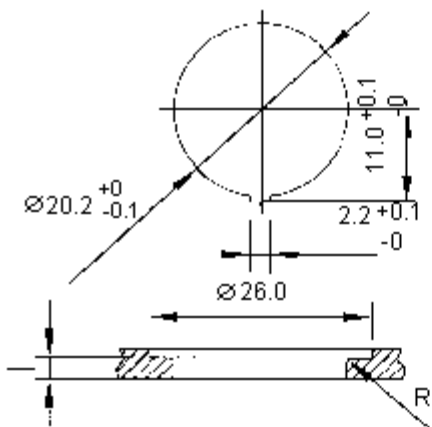
PART NO.

R13-112F8-02-BB - Series

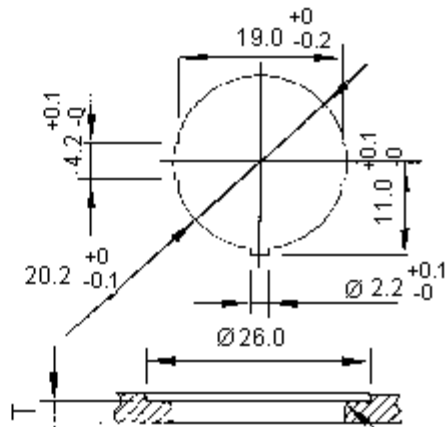
REVISIONS

ECN #	REV	DESCRIPTION	DRAWN	DATE	CHECKD	DATE	APPRVD	DATE
-	A	RELEASED	Veena	9/13/08	Suresh	9/13/08	Farnell	9/27/08

Mounting Hole



Thickness : 1.5 to 2.5



Thickness : 0.7 to 2.5

Dimensions : Millimetres

Scope

These requirements cover manually and mechanically operable special-use switches:

That is for use on direct current as well as on alternating current only.

For which the load ratings do not exceed 60 amperes at 250 volts or a lower potential and 30 amperes or 2 horsepower at 600 volts or a lower potential.

Electrical Ratings

Item	Requirements
Rated voltage and current	(base on switch type)
Contact resistance (new state)	<100mΩ (5V, 1A dc)
Dielectric strength (new state)	>1000V >2500V (10mA between the contacts)
Insulation resistance (new state)	>100MΩ (500V dc between the open contacts)

This data sheet and its contents (the "Information") belong to the Premier Farnell Group (the "Group") or are licensed to it. No licence is granted for the use of it other than for information purposes in connection with the products to which it relates. No licence of any intellectual property rights is granted. The Information is subject to change without notice and replaces all data sheets previously supplied. The Information supplied is believed to be accurate but the Group assumes no responsibility for its accuracy or completeness, any error in or omission from it or for any use made of it. Users of this data sheet should check for themselves the Information and the suitability of the products for their purpose and not make any assumptions based on information included or omitted. Liability for loss or damage resulting from any reliance on the Information or use of it (including liability resulting from negligence or where the Group was aware of the possibility of such loss or damage arising) is excluded. This will not operate to limit or restrict the Group's liability for death or personal injury resulting from its negligence. SPC MULTICOMP is the registered trademark of the Group. © Premier Farnell plc 2008.

TOLERANCES:
UNLESS OTHERWISE SPECIFIED, DIMENSIONS ARE FOR REFERENCE PURPOSES ONLY.

DRAWN BY:	DATE:
Veena	09/13/08
CHECKED BY:	DATE:
Suresh	09/13/08
APPROVED BY:	DATE:
Farnell	09/27/08

DRAWING TITLE:			
Rocker Switch			
SIZE	DWG NO.	ELECTRONIC FILE	REV
A	M10001743	R13-112 Waterproof Ser+sci_DWG	A
SCALE: NTS		U.O.M.: mm	SHEET: 2 OF 4



PART NO.

R13-112F8-02-BB - Series

REVISIONS

ECN #	REV	DESCRIPTION	DRAWN	DATE	CHECKD	DATE	APPRVD	DATE
-	A	RELEASED	Veena	9/13/08	Suresh	9/13/08	Farnell	9/27/08

Electrical Ratings

Item	Requirements
Inrush current	50A/3msec (capacitive load)
Electrical life endurance	>6000 operations Volt drop : <100mV >10,000 operations
Temperature rise at the terminals (according to electrical life endurance)	<30°C - 6000 operations <45°C - 10,000 operations (ambient conditions : 25 ±2°C and 65 ±5%R.H)

Mechanical Characteristics

Item	Requirements
Actuating force	(base on switch type)
Operating life endurance	>100,000 operations
Terminal strength	>2.5kg - solder terminal >6.8kg - plug-in/screw terminal
Solderability of terminals	Maximum 350°C/3sec (no pressure may be exerted on the terminals when soldering by hand)

Environmental

Item	Requirements
Ambient temperature	-20°C to +65°C
Humidity	Maximum 85%
Salt spray test	No remarkable rust in metal parts (5% salt/35°C 24hrs)
Shock test	No mechanical defect or damage (100g/10msec X, Y, Z 3 times)
Vibration test	No mechanical defect damage (10-55Hz/1.5mm/X, Y, Z 2hrs)

This data sheet and its contents (the "Information") belong to the Premier Farnell Group (the "Group") or are licensed to it. No licence is granted for the use of it other than for information purposes in connection with the products to which it relates. No licence of any intellectual property rights is granted. The Information is subject to change without notice and replaces all data sheets previously supplied. The Information supplied is believed to be accurate but the Group assumes no responsibility for its accuracy or completeness, any error in or omission from it or for any use made of it. Users of this data sheet should check for themselves the Information and the suitability of the products for their purpose and not make any assumptions based on information included or omitted. Liability for loss or damage resulting from any reliance on the Information or use of it (including liability resulting from negligence or where the Group was aware of the possibility of such loss or damage arising) is excluded. This will not operate to limit or restrict the Group's liability for death or personal injury resulting from its negligence. SPC MULTICOMP is the registered trademark of the Group. © Premier Farnell plc 2008.

TOLERANCES:

UNLESS OTHERWISE SPECIFIED, DIMENSIONS ARE FOR REFERENCE PURPOSES ONLY.

DRAWN BY:	DATE:
Veena	09/13/08
CHECKED BY:	DATE:
Suresh	09/13/08
APPROVED BY:	DATE:
Farnell	09/27/08

DRAWING TITLE:

Rocker Switch

SIZE	DWG NO.	ELECTRONIC FILE	REV
A	M10001743	R13-112 Waterproof Ser+sci_DWG	A
SCALE: NTS	U.O.M.: mm	SHEET: 3 OF 4	



PART NO.

R13-112F8-02-BB - Series

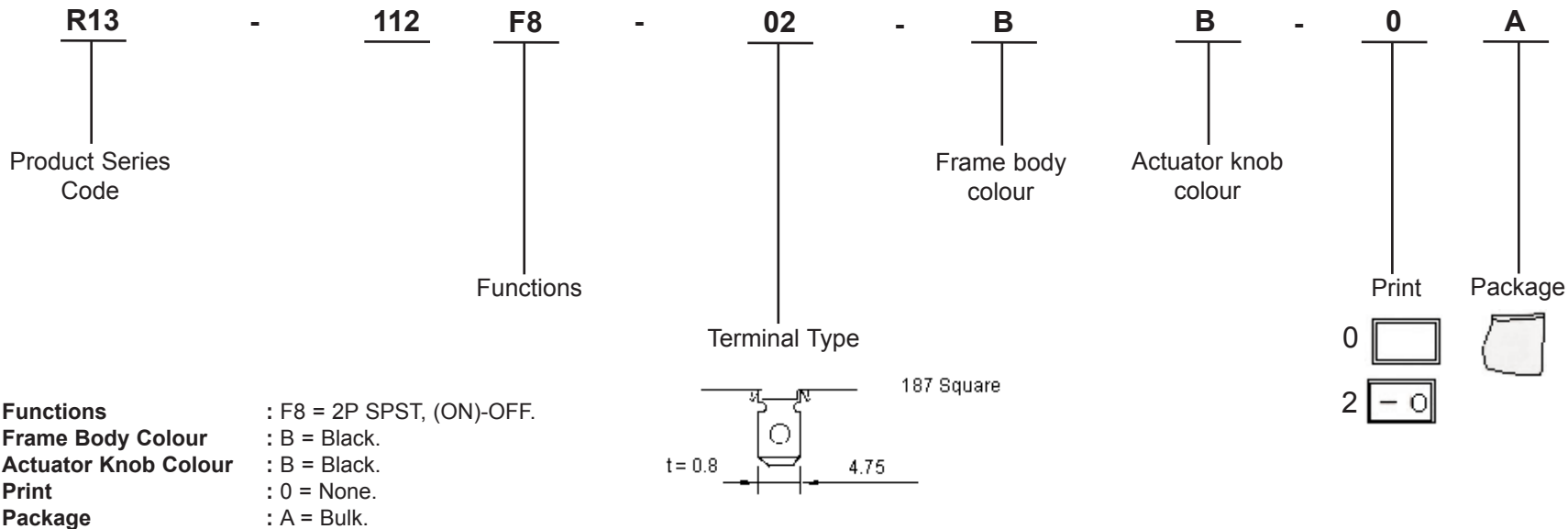
REVISIONS

ECN #	REV	DESCRIPTION	DRAWN	DATE	CHECKD	DATE	APPRVD	DATE
-	A	RELEASED	Veena	9/13/08	Suresh	9/13/08	Farnell	9/27/08

Part Number Table

Description	Part Number
Switches	R13-112F8-02-BB-0A
	R13-112F8-02-BB-2A

Part Number Explanation:



<http://www.farnell.com>
<http://www.newark.com>
<http://www.cpc.co.uk>

This data sheet and its contents (the "Information") belong to the Premier Farnell Group (the "Group") or are licensed to it. No licence is granted for the use of it other than for information purposes in connection with the products to which it relates. No licence of any intellectual property rights is granted. The Information is subject to change without notice and replaces all data sheets previously supplied. The Information supplied is believed to be accurate but the Group assumes no responsibility for its accuracy or completeness, any error in or omission from it or for any use made of it. Users of this data sheet should check for themselves the Information and the suitability of the products for their purpose and not make any assumptions based on information included or omitted. Liability for loss or damage resulting from any reliance on the Information or use of it (including liability resulting from negligence or where the Group was aware of the possibility of such loss or damage arising) is excluded. This will not operate to limit or restrict the Group's liability for death or personal injury resulting from its negligence. SPC MULTICOMP is the registered trademark of the Group. © Premier Farnell plc 2008.

TOLERANCES:
UNLESS OTHERWISE SPECIFIED, DIMENSIONS ARE FOR REFERENCE PURPOSES ONLY.

DRAWN BY:	DATE:
Veena	09/13/08
CHECKED BY:	DATE:
Suresh	09/13/08
APPROVED BY:	DATE:
Farnell	09/27/08

DRAWING TITLE:

Rocker Switch

SIZE A	DWG NO. M10001743	ELECTRONIC FILE R13-112 Waterproof Ser+sci_DWG	REV A
SCALE: NTS		U.O.M.: mm	SHEET: 4 OF 4