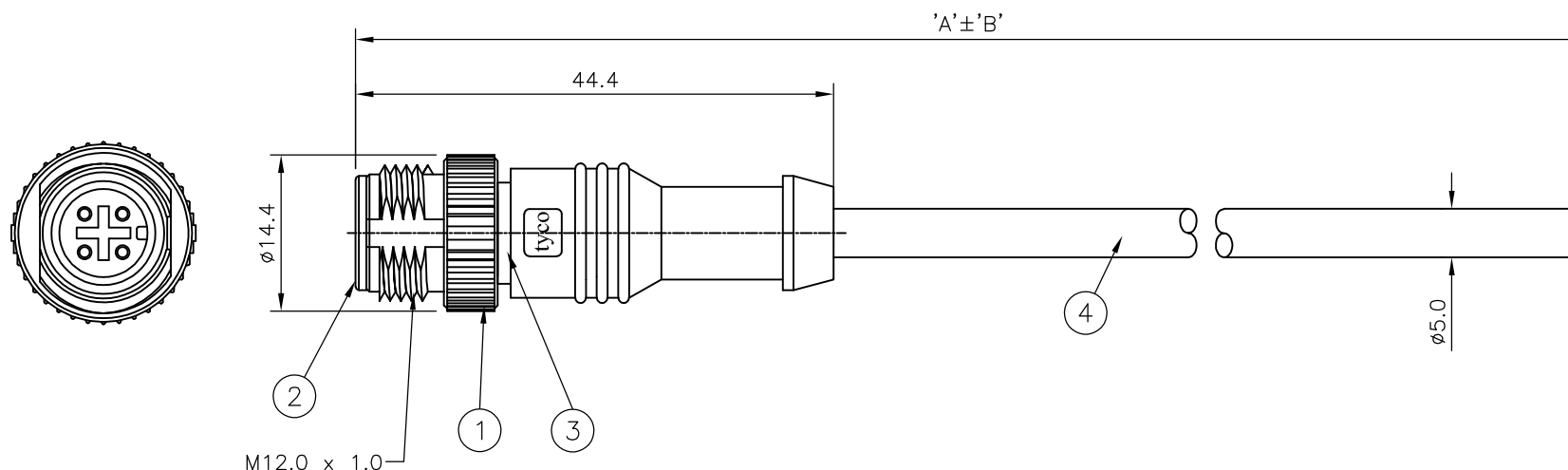
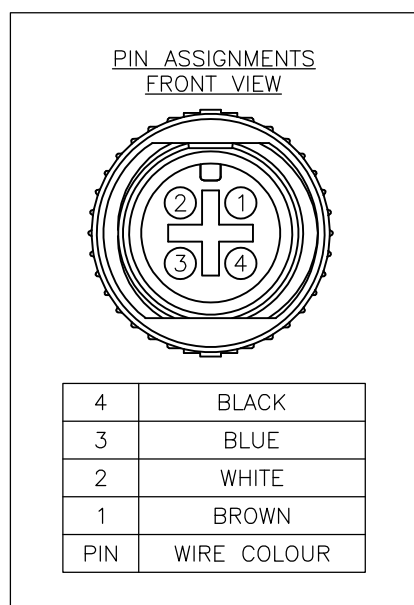


| LOC | DIST | REVISIONS | | | | | |
|-----|------|-----------|-----|-------------|----------|-----|------|
| E | B | P | LTR | DESCRIPTION | DATE | DWN | APVD |
| | | A | | FIRST ISSUE | 13/03/07 | AM | FWK |

NOTES:

- ELECTRICAL DATA: CONTACT RESISTANCE: 10 mOhm MAX
INSULATION RESISTANCE: 100 MOhm MIN at 500VDC
CURRENT RATING: 5 AMPS
BREAKDOWN VOLTAGE: 500 VAC MIN PER MINUTE
- ENVIRONMENTAL: OPERATING TEMPERATURE: -20°C TO +80°C
SEALING REQUIREMENTS: IP67
- PROD SPEC: 108-3641
- PACKAGING: 107-3334
- FOR TECHNICAL DATA REFER TO YOUR LOCAL TYCO ELECTRONICS SALES OFFICE
- ALL DIMENSIONS ARE NOMINAL FOR REFERENCE ONLY UNLESS OTHERWISE STATED

| ITEM | DESCRIPTION | MATERIAL | FINISH/COLOUR | QTY |
|------|--------------------------------------|-------------------------|--------------------------------|-----|
| 1 | SCREW NUT | ZINC DIE CAST | 2.5µm NICKEL PLATED | 1 |
| 2 | CONNECTOR BODY | POLYURETHANE | BLACK | 1 |
| 3 | PIN CONTACT | BRASS | 0.15µm GOLD PLATED OVER NICKEL | 4 |
| 4 | 3 CORE CABLE (CORES 22AWG TO UL2464) | PVC JACKET UV RESISTANT | BLACK | 1 |



| 10000 | 500mm | M12 STRAIGHT MALE CONNECTOR 10.0m CABLE | 1838238-5 |
|-------|---------|---|-------------|
| 7000 | 350mm | M12 STRAIGHT MALE CONNECTOR 7.0m CABLE | 1838238-4 |
| 5000 | 250mm | M12 STRAIGHT MALE CONNECTOR 5.0m CABLE | 1838238-3 |
| 3000 | 150mm | M12 STRAIGHT MALE CONNECTOR 3.0m CABLE | 1838238-2 |
| 2000 | 100mm | M12 STRAIGHT MALE CONNECTOR 2.0m CABLE | 1838238-1 |
| DIM A | TOL 'B' | DESCRIPTION | PART NUMBER |

| | | | | | | | | | | | | | | | | |
|--|-----|-----------------------------------|--|-------------------------|-----|-------|-----|-------|-----|-------|-----|--------|-----|-------------------|------------|--|
| THIS DRAWING IS A CONTROLLED DOCUMENT. | | DWN A.Morey 13MAR07 | Tyco Electronics Corporation Bideford, UK, EX39 4HE | | | | | | | | | | | | | |
| DIMENSIONS: mm | | CHK F.Wheeler-King 14MAR07 | | | | | | | | | | | | | | |
| TOLERANCES UNLESS OTHERWISE SPECIFIED: | | APVD F.Wheeler-King 14MAR07 | NAME M12 STRAIGHT MALE CONNECTOR 4 POSITION, PVC CABLE | | | | | | | | | | | | | |
| <table border="1"> <tr><td>0 PLC</td><td>± -</td></tr> <tr><td>1 PLC</td><td>± -</td></tr> <tr><td>2 PLC</td><td>± -</td></tr> <tr><td>3 PLC</td><td>± -</td></tr> <tr><td>4 PLC</td><td>± -</td></tr> <tr><td>ANGLES</td><td>± -</td></tr> </table> | | 0 PLC | ± - | 1 PLC | ± - | 2 PLC | ± - | 3 PLC | ± - | 4 PLC | ± - | ANGLES | ± - | PRODUCT SPEC - | SIZE A3 | |
| 0 PLC | ± - | | | | | | | | | | | | | | | |
| 1 PLC | ± - | | | | | | | | | | | | | | | |
| 2 PLC | ± - | | | | | | | | | | | | | | | |
| 3 PLC | ± - | | | | | | | | | | | | | | | |
| 4 PLC | ± - | | | | | | | | | | | | | | | |
| ANGLES | ± - | | | | | | | | | | | | | | | |
| MATERIAL - | | FINISH - | CAGE CODE 00779 | DRAWING NO C-1838238 | | | | | | | | | | | | |
| | | WEIGHT - | RESTRICTED TO - | | | | | | | | | | | | | |
| CUSTOMER DRAWING | | | SCALE NTS | SHEET 1 OF 1 | | | | | | | | | | | | |
| | | | REV A | | | | | | | | | | | | | |