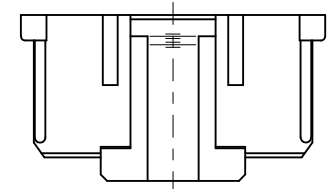
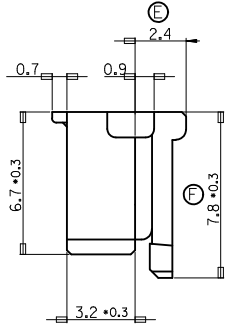
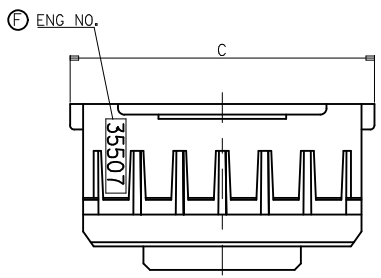
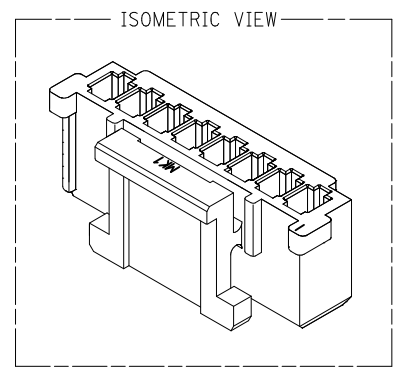
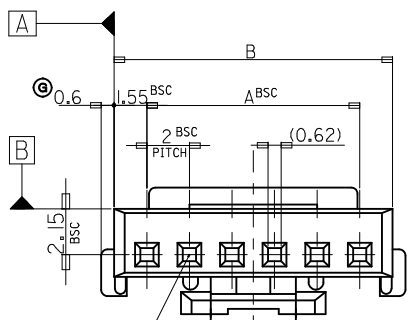


TERMINAL INSERTED DRAWING
SCALE 2:1



NOTES

- 1. MATERIAL : POLYESTER, UL94V-0
- ② 2. FINISH : VARIABLE COLOR (SEE LEGEND)
- 3. PRODUCT SPECIFICATION NO : PS-35507-001
- 4. APPLICABLE TERMINAL : 50212-8000
- 5. MATES WITH : 35362-***, 35363-***



LEGEND

0	: NATURAL
1	: BLACK
2	: RED
3	: YELLOW
4	: BLUE
5	: GREEN

30 over	+0.3
10 over 30 under	±0.25
10 under	±0.2
ANGLE	±3°
GENERAL TOLERANCE	

REVISED
EC NO: KOR2008-0029
DRWN: JHLE05 2009/12/18
CHKD: KSK IM 2009/12/18
APPR: YUNSIKKIM 2009/12/21

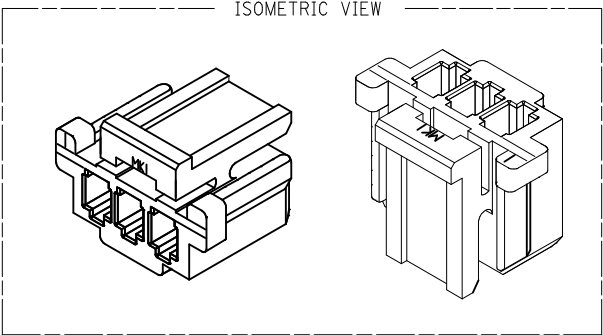
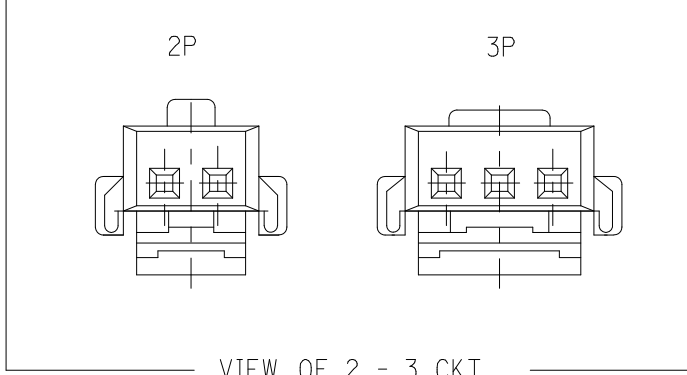
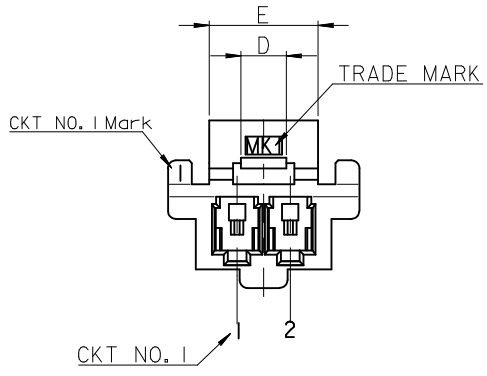
QUALITY SYMBOLS
▽=1
∇=0

GENERAL TOLERANCES (UNLESS SPECIFIED)	
	mm INCH
4 PLACES	± --- ± ---
3 PLACES	± --- ± ---
2 PLACES	± --- ± ---
1 PLACE	± --- ± ---
ANGULAR ± ---°	

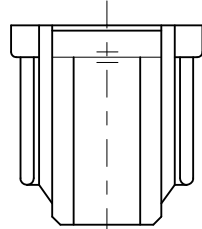
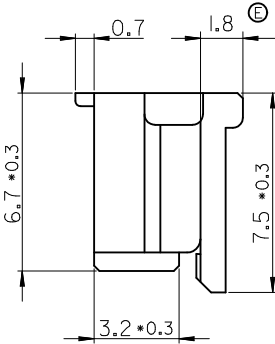
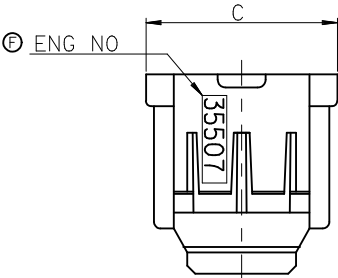
DIMENSION STYLE MM ONLY	
DRAWN BY YSKIM02	DATE 1996/09/11
CHECKED BY YSKIM04	DATE 1996/09/11
APPROVED BY CWLEE	DATE 1996/09/12
MATERIAL NO. SEE TABLE	

SCALE 1:1	DESIGN UNITS METRIC	THIRD ANGLE PROJECTION
2.0 W-T-B CONN HOUSING 4-15P ONLY		
MOLEX INCORPORATED		SHEET NO. 1 OF 3
DOCUMENT NO. SD-35507-001		

4	4	27.8	32.3	31.1	28	-150*	15
		25.8	30.3	29.1	26	-140*	14
		23.8	28.3	27.1	24	-130*	13
		21.8	26.3	25.1	22	-120*	12
		19.8	24.3	23.1	20	-110*	11
		17.8	22.3	21.1	18	-100*	10
7	7	15.8	20.3	19.1	16	-090*	9
8.0	10.8	13.8	18.3	17.1	14	-080*	8
4	4	11.8	16.3	15.1	12	-070*	7
		9.8	14.3	13.1	10	-060*	6
		7.8	12.3	11.1	8	-050*	5
410	⑥14	5.8	10.3	9.1	6	35507-040*	4
F	E	D	C	B	A	ENG NO.	CKT

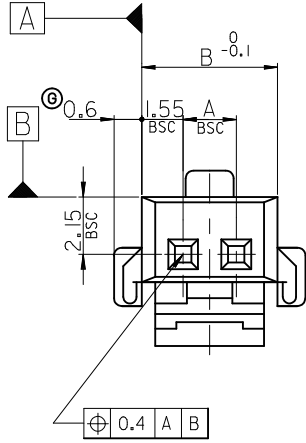


FOR 2 & 3 CKTS.



LEGEND

CKT NO.	**0*	COLOR	0 : NATURAL
			1 : BLACK
			2 : RED
			3 : YELLOW
			4 : BLUE
			5 : GREEN



NOTES

1. MATERIAL : POLYESTER, UL94V-0
2. FINISH : VARIABLE COLOR (SEE LEGEND)
3. PRODUCT SPECIFICATION NO : PS-35507-001
4. APPLICABLE TERMINAL : 50212-8000
5. MATES WITH : 35362-***, 35363-***

2.5	9.2	7.1	4	-030*	3
1.7	7.2	5.1	2	35507-020*	2
D	C	B	A	ENG NO.	CKT

30 over	±0.3
10 over 30 under	±0.25
10 under	±0.2
ANGLE	±3°
GENERAL TOLERANCE	

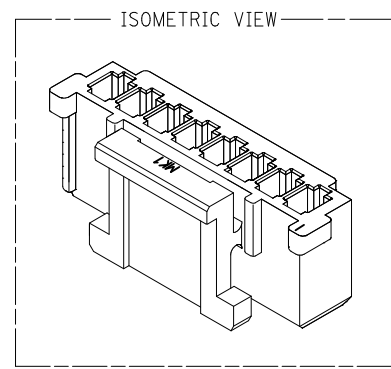
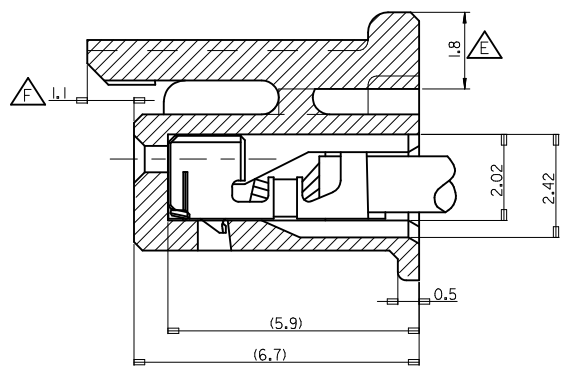
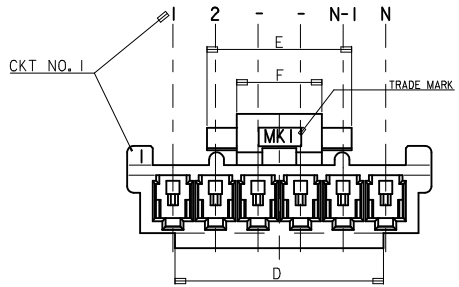
REVISED	EC NO: KOR2008-0029
DRWN: JHLE05	2009/12/18
CHKD: KSK IM	2009/12/18
APPR: YUNSIKIM	2009/12/21
DESCRIPTION	

QUALITY SYMBOLS	▽=0
	∇=0

GENERAL TOLERANCES (UNLESS SPECIFIED)	
	mm
	INCH
4 PLACES	± ---
3 PLACES	± ---
2 PLACES	± ---
1 PLACE	± ---
ANGULAR ± ---°	
DRAFT WHERE APPLICABLE MUST REMAIN WITHIN DIMENSIONS	

DIMENSION STYLE	
MM ONLY	
DRAWN BY	DATE
YSKIM02	1996/09/11
CHECKED BY	DATE
YSKIM04	1996/09/11
APPROVED BY	DATE
CWLEE	1996/09/11
MATERIAL NO.	
SEE TABLE	
SIZE	A3

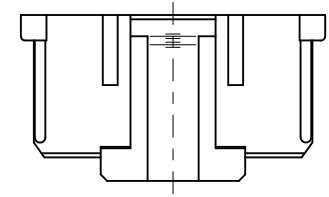
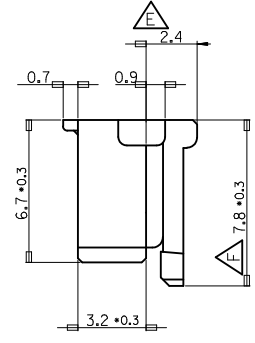
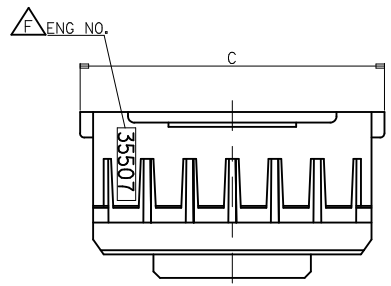
SCALE	1:1
DESIGN UNITS	METRIC
THIRD ANGLE PROJECTION	
TITLE	
2.0 W-T-B CONN HOUSING 2 TO 3P ONLY	
MOLEX INCORPORATED	
DOCUMENT NO.	SD-35507-001
SHEET NO.	2 OF 3
THIS DRAWING CONTAINS INFORMATION THAT IS PROPRIETARY TO MOLEX INCORPORATED AND SHOULD NOT BE USED WITHOUT WRITTEN PERMISSION	



TERMINAL INSERTED DRAWING
SCALE 8:1

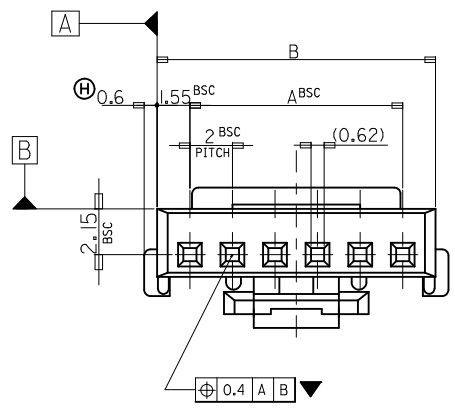
NOTES

1. MATERIAL : POLYESTER, NON GLASS FILLED, UL94V-0
2. FINISH : VARIABLE COLOR (SEE LEGEND)
3. PRODUCT SPECIFICATION : PS-35507-001
4. APPLICABLE TERMINAL : 50212-8000
5. MATES WITH : 35362-***, 35363-***



LEGEND

CKT NO.	***0*	COLOR	0 : NATURAL
			1 : BLACK
			2 : RED
			3 : YELLOW
			4 : BLUE
			5 : GREEN



8.0	10.8	37.8	42.3	41.1	38	35507200*	35507-200*	20
8.0	10.8	35.8	40.3	39.1	36	35507190*	35507-190*	19
8.0	10.8	33.8	38.3	37.1	34	35507180*	35507-180*	18
8.0	10.8	31.8	36.3	35.1	32	35507170*	35507-170*	17
8.0	10.8	29.8	34.3	33.1	30	35507160*	35507-160*	16
F	E	D	C	B	A	MATERIAL NO.	ENG NO.	CKT

REVISED EC NO: KOR2008-0029 DRWN: JHLEE05 2009/12/18 CHKD: KSK IM 2009/12/18 APPR: YUNSIKKIM 2009/12/18	QUALITY SYMBOLS	GENERAL TOLERANCES (UNLESS SPECIFIED)	DIMENSION STYLE	SCALE	DESIGN UNITS	THIRD ANGLE PROJECTION 2.0 W-T-B CONN HOUSING MOLEX INCORPORATED SD-35507-001 SHEET NO. 3 OF 3
	▽=0 ◻=0	mm INCH 4 PLACES ± --- ± --- 3 PLACES ± --- ± --- 2 PLACES ± --- ± --- 1 PLACE ± --- ± --- ANGULAR ± ---°	MM ONLY	1:1	METRIC	
			DRAWN BY	DATE	TITLE	
			CHECKED BY	DATE		
			APPROVED BY	DATE		
			MATERIAL NO.	DOCUMENT NO.		
		DRAFT WHERE APPLICABLE MUST REMAIN WITHIN DIMENSIONS	SEE TABLE			
			SIZE A3	THIS DRAWING CONTAINS INFORMATION THAT IS PROPRIETARY TO MOLEX INCORPORATED AND SHOULD NOT BE USED WITHOUT WRITTEN PERMISSION		