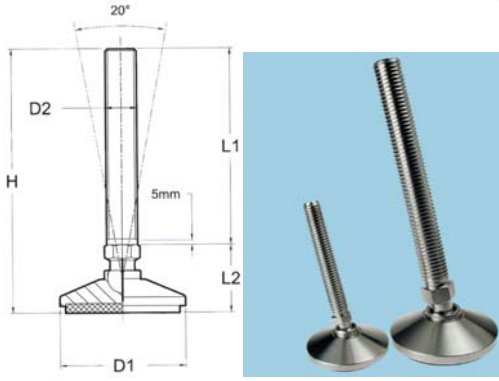


Leveling Feet Pad And Bolt, Stainless Steel



Material
Pad & Bolt: Stainless steel, type 303.

Tips
For use in a wide range of industries including, food processing, pharmaceutical, electronic, medical and machinery shops.

489255

Thread Size	I2 (mm)	D1 (mm)	H (mm)	Max. Load Capacity For Static Load	Maxium(Kg)	Order Code	Price Each
M12	75	27	55	102	750	137-8330	
M12	150	27	55	177	750	137-8329	
M16	75	33	65	108	1250	137-8328	
M16	150	33	65	183	1250	137-8327	
M20	150	41	75	191	1750	137-8325	
M24	150	52	100	202	2500	137-8324	
M24	200	52	100	252	2500	137-8323	