

MCR-VDC-UI-B-DC

Voltage Transducer for DC Voltages

INTERFACE

Data Sheet
100260_en_01

© PHOENIX CONTACT - 11/2007



1 Description

The MCR voltage transducer measures DC voltages in several signal ranges from 0 ... ± 20 V DC to 0 ... ± 660 V DC and converts them to standardized analog signals. DC voltages can be processed with both positive and negative polarity.

The input voltage ranges listed at input terminal blocks 1 to 7 can be varied by $\pm 20\%$ using a calibration potentiometer.

The voltage transducer is calibrated by default to 0 ... ± 24 V input and 0 ... ± 10 V output and is ready for operation when delivered. To use the device with other input or output variables, carry out a ZERO/SPAN adjustment using the potentiometer on the front.

1.1 Features

- 3-way electrical isolation
- True r.m.s. value measurement
- Adjustable voltage ranges
- ZERO/SPAN adjustment $\pm 20\%$

1.2 Method of Operation

The input circuit divides the DC voltage at terminal blocks 1 to 7. The resulting signal is electrically isolated and transmitted to the output circuit and is available at the output as a standardized analog signal.

1.3 Field of Application

When using the voltage transducer, please ensure that the potential difference between terminal blocks 1 to 7 to ground potential PE or terminal block 8 to ground potential PE U does not exceed ± 660 V (this condition applies to circuits that are not grounded).

In DC voltage networks, this potential difference must not exceed $U = \pm 100$ V (this condition applies to circuits that are grounded).

When these conditions are met, **safe isolation** is ensured between input, output, and supply.



Make sure you always use the latest documentation. It can be downloaded at www.download.phoenixcontact.com. A conversion table is available on the Internet at www.download.phoenixcontact.com/general/7000_en_00.pdf.



This data sheet is valid for all products listed on the following page:

2 Ordering Data

Description	Type	Order No.	Pcs./Pck.
MCR voltage transducer, for DC voltages from 0 ... ± 20 V DC to 0 ... ± 660 V DC, output signal ± 10 V/ ± 20 mA	MCR-VDC-UI-B-DC	2811116	1

3 Technical Data

Voltage Measuring Input

Input voltage range (input resistance)	± 550 V DC (550 k Ω) ± 370 V DC (370 k Ω) ± 250 V DC (250 k Ω) ± 170 V DC (170 k Ω) ± 120 V DC (120 k Ω) ± 80 V DC (80 k Ω) ± 54 V DC (54 k Ω) ± 36 V DC (36 k Ω) ± 24 V DC (24 k Ω)
Maximum input voltage	± 660 V DC (not grounded)
Maximum input voltage	± 100 V DC (to ground)



When these values are observed, safe isolation (EN 50178/DIN EN 50178/VDE 0160) is ensured between input, output, and supply.

Voltage Output

Voltage output signal	-10 V ... 10 V
Maximum voltage output signal	± 15 V
Load/output load voltage output	> 10 k Ω
Ripple	< 50 mV _{PP}

Current Output

Current output signal	-20 mA ... 20 mA
Maximum current output signal	± 30 mA
Load/output load voltage output	< 500 Ω
Ripple	< 50 mV _{PP}

Power Supply

Supply voltage range	18.5 V DC ... 30.2 V DC
Maximum current consumption	< 50 mA

General Data

Limit frequency (3 dB)	40 Hz
Measuring principle	True r.m.s. value measurement
Maximum transmission error	< 1% (of final value)
Maximum temperature coefficient	< 0.015%/K
Zero adjustment	$\pm 20\%$
Span adjustment	$\pm 20\%$
Step response (10 - 90%)	12 ms
Degree of protection	IP20

General Data (Continued)

Pollution degree	2
Width x height x length	22.5 mm x 99 mm x 114.5 mm
Housing version	Polyamide PA, non-reinforced, green

Connection Data

Conductor cross-section, solid	0.2 mm ² ... 2.5 mm ²
Conductor cross-section, stranded	0.2 mm ² ... 2.5 mm ²
Stripping length	8 mm

Safe Isolation

Safe isolation	According to EN 50178
Test voltage input/output	1.5 kV (50 Hz, 1 min.)
Surge voltage category	II

Ambient Conditions

Ambient temperature (operation)	-25°C ... +50°C
---------------------------------	-----------------

Conformance/Approvals

Conformance	CE-compliant
UL, USA/Canada	

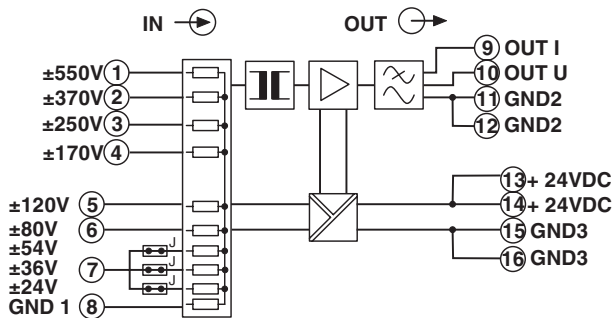
Conformance With EMC Directive 89/336/EEC**Noise Immunity According to EN 61000-6-2**

Electrostatic discharge	EN 61000-4-2	8 kV air discharge
Electromagnetic HF field	EN 61000-4-3	
Amplitude modulation		10 V/m
Pulse modulation		10 V/m
Fast transients (burst)	EN 61000-4-4	Input/output/supply: 2 kV/5 kHz
Surge current loads (surge)	EN 61000-4-5	Input/output: 2 kV/42 Ω Supply: 0.5 kV/2 Ω
Conducted interference	EN 61000-4-6	Input/output/supply: 10 V

Noise Emission According to EN 61000-6-4

Noise emission according to EN 61000-6-4	EN 55011	Class A
--	----------	---------

4 Block Diagram



5 Safety Notes



CAUTION

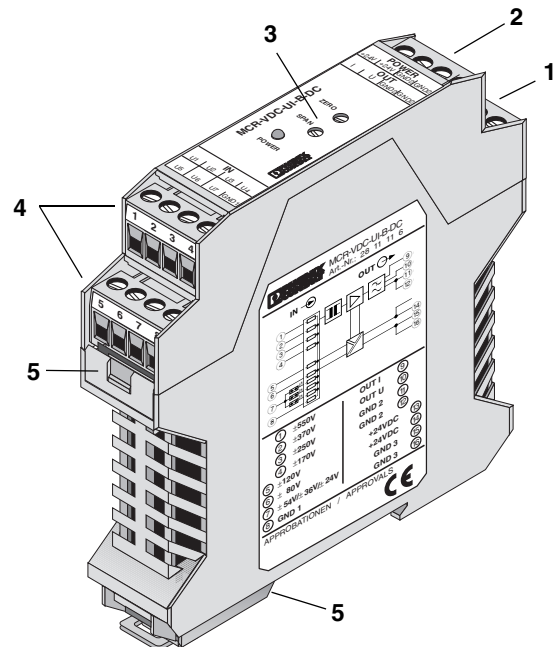
Installation, operation, and maintenance may only be carried out by qualified electricians. When installing and operating the device, the applicable safety directives (including national safety directives), accident prevention regulations, as well as general technical regulations, must be observed.



CAUTION: Electrostatic discharge

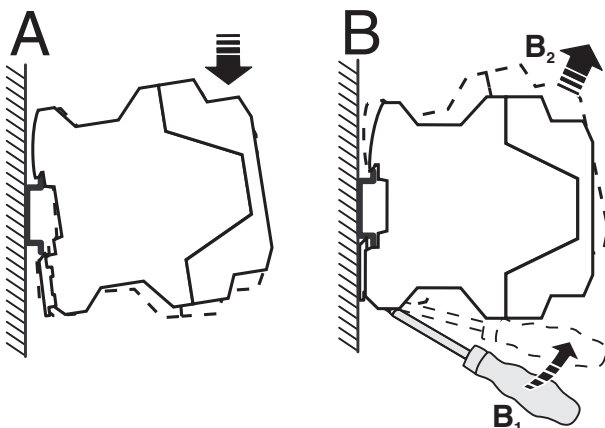
The module contains components that can be damaged or destroyed by electrostatic discharge. When handling the module, observe the necessary safety precautions against electrostatic discharge (ESD) according to EN 61340-5-1 and EN 61340-5-2.

6 Structure



- 1 Supply voltage
- 2 Output
- 3 Potentiometer for adjustment
- 4 Inputs
- 5 Upper part of the housing can be removed to set the jumpers
- 6 Universal snap-on foot for EN DIN rails

7 Installation



The assignment of the connection terminal blocks is shown in the block diagram. The module can be snapped onto all 35 mm DIN rails according to EN 60715.

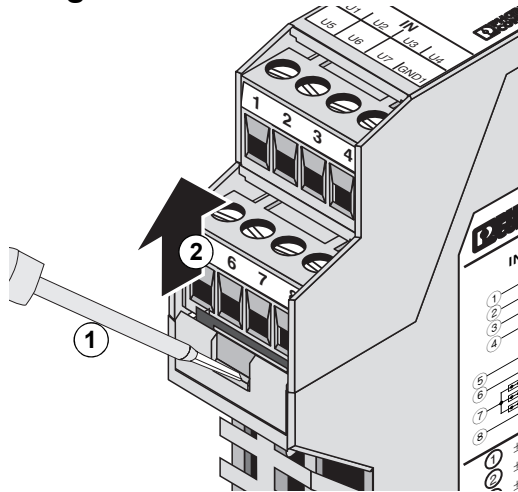
Install the module in suitable housing to meet the requirements for the protection class.

Screw Connection

Insert the wires in the corresponding connection terminal block.

Use a screwdriver to tighten the screw in the opening above the connection terminal block.

8 Configuration



WARNING: Risk of electric shock
Never carry out work when voltage is present.



ATTENTION: Module damage due to excess voltage
If the voltage signal exceeds the voltage range specified at the input signal terminal block by more than 15% (for 0 ... ± 660 V more than 5%), the input circuit may be damaged.

8.1 Selecting the Input Voltage Range

Input Voltage	Adjustment Range ($\pm 20\%$) [V DC]	Input Terminal Block	Jumper/Setting
0 ... ± 550 V	(440 ... 660)	1	
0 ... 370 V	(296 ... 444)	2	
0 ... 250 V	(200 ... 300)	3	
0 ... 170 V	(136 ... 204)	4	
0 ... 120 V	(96 ... 144)	5	
0 ... 80 V	(64 ... 96)	6	
0 ... 54 V	(43 ... 65)	7	J1/setting 1
0 ... 36 V	(28 ... 43)	7	J1/setting 2
0 ... 24 V	(19 ... 29)	7	J1/setting 3 (default setting)

8.2 Opening the Module

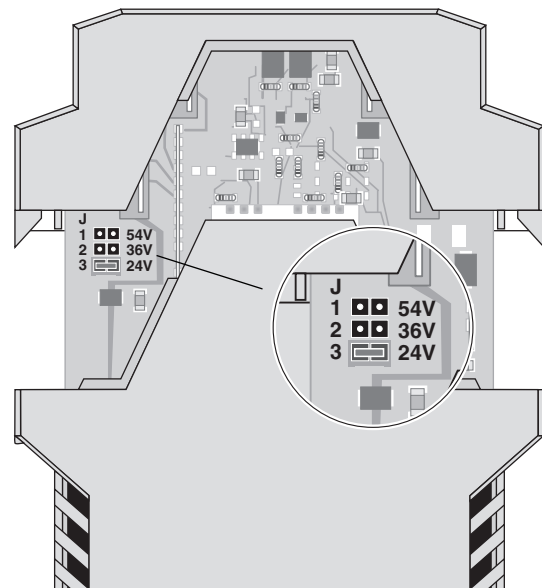
- Using a screwdriver, release the locked upper part of the housing on both sides (1). The upper part of the housing and the electronics can now be pulled out approximately 3 cm (2).

8.3 Jumper Settings

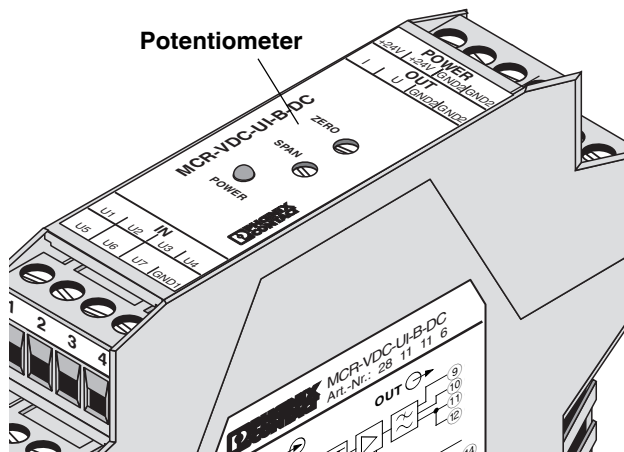
- Place the jumper (J) in the desired setting for the input voltage.
- Close the housing again until it engages with a click.



Carry out a ZERO/SPAN adjustment each time the input or output range is changed.



9 ZERO/SPAN Adjustment



Allow the module to warm up for 4 minutes before starting the adjustment procedure.

The module is calibrated by default to 0 ... ±24 V input and 0 ... ±10 V output.

There are two potentiometers on the front of the module for the adjustment:

- ZERO: Zero point adjustment
- SPAN: Final value adjustment

9.1 Zero Point Adjustment (ZERO)

- Connect a calibration device to the input terminal blocks ($U_{(1-7)}$ and GND1) and specify a voltage of 0 mV.
- Set the output signal value using the ZERO potentiometer:
 - Voltage output (0 ... ±10 V): $U_{OUT} = 0$ V
 - Current output (0 ... ±20 mA): $I_{OUT} = 0$ mA

9.2 Final Value Adjustment (SPAN)

- Use the calibration device to specify the maximum voltage used within the input voltage range (see "Selecting the Input Voltage Range" on page 5).
- Set the output signal value ($U_{OUT} = 10$ V or $I_{OUT} = 20$ mA) using the SPAN potentiometer.