

### SPECIFICATIONS

**Material:** HEXSEALS: Silicone rubber conforms to ZZ-R-765 Class III, GR 60 (unless otherwise specified)

**Mounting Nut:** HEXSEALS: Brass, nickel-plated (unless otherwise noted)

**Temperature Range:** HEXSEALS: -94°F to +400°F

**Pressure Range:** Exceeds 15 psi internal and 1500 psi external.

**Operational Life:** 50,000 actuations (minimum).

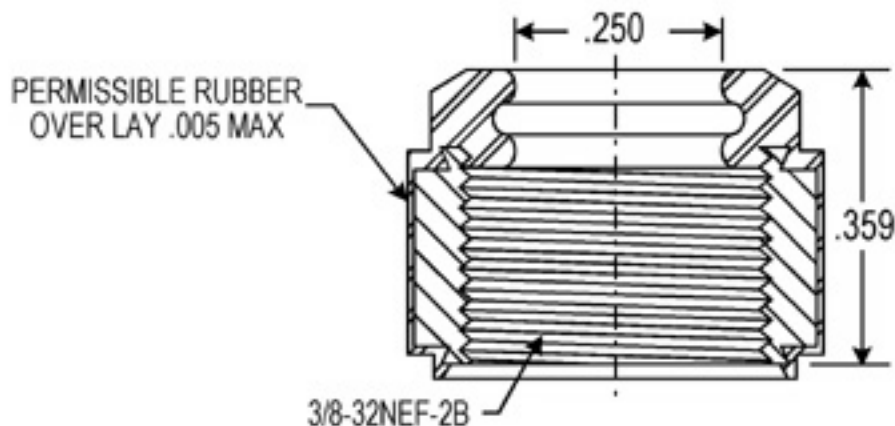
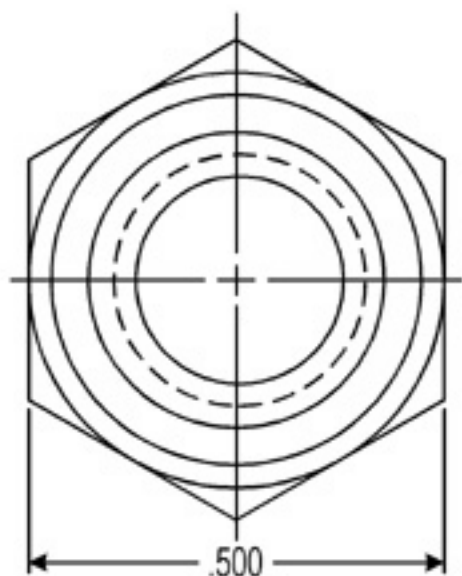
**Shelf Life:** Excess of 25 years.

**Resistant to:** Salt spray, sunlight, ozone, weather, fungus, and most acids and lubricating oils

**Military Approvals:** Most HEXSEALS are QPL-approved to MIL-B-5423.

**Agency Recognition:** E-SEALS and HEXSEALS are UL-listed to UL Std. 50 types 1-13, and meet CSA standards.

**Installation:** If a reducing adaptor is required - see page 14 of HEXSEAL catalog HEX200 for part numbers and drawing.



G	CAD COMPUTER GENERATED		9/23/02
F	UPDATED	R.C.	8-7-74
E	CORRECTED 11/64 WAS 9/64 AND ADDED 9/64 TO RUBBER OVERLAY NOTE	Nick	10-23-68
D	REDRAWN	NKS	9-9-68

REV.	DESCRIPTION	DATE
	TITLE: SEAL, SHAFT, ROTARY, (N9033 x 1/4)	12-11-59
	APM-HEXSEAL CORPORATION	
	SCALE 4:1	
	DWG. NO. (N9033 x 1/4) HEXSEAL®	

THIS DRAWING COVERS PROPRIETARY ITEM AND IS THE PROPERTY OF THE APM-HEXSEAL CORPORATION. THIS DRAWING IS NOT TO BE COPIED OR USED WITHOUT THE WRITTEN APPROVAL OF AN OFFICER OF THE APM-HEXSEAL CORPORATION.