

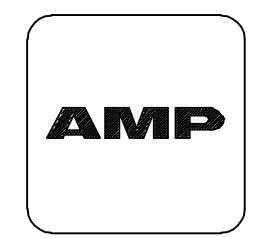
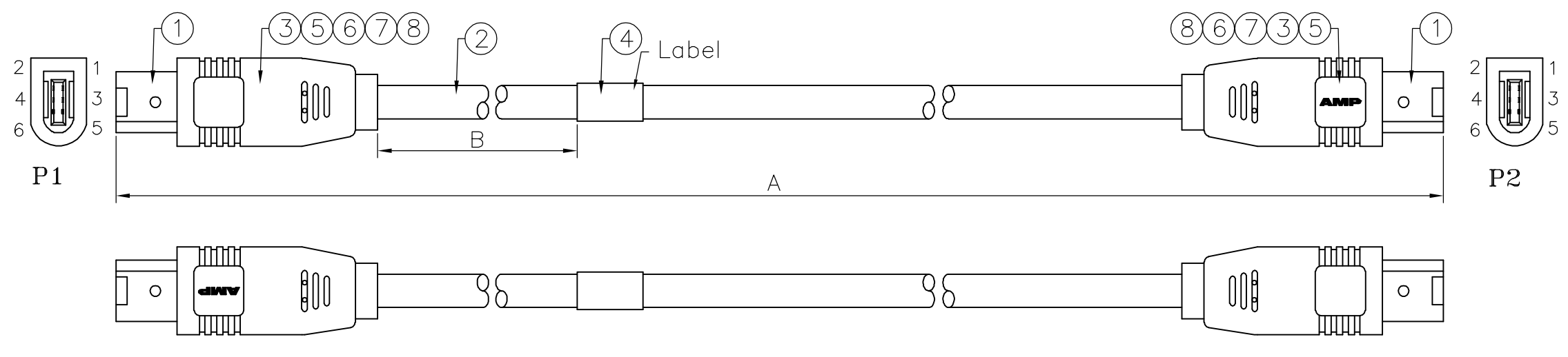
THIS DRAWING IS UNPUBLISHED. RELEASED FOR PUBLICATION

© COPYRIGHT - BY TYCO ELECTRONICS CORPORATION. ALL RIGHTS RESERVED.

TOOLING DRAWING NO. TR00001

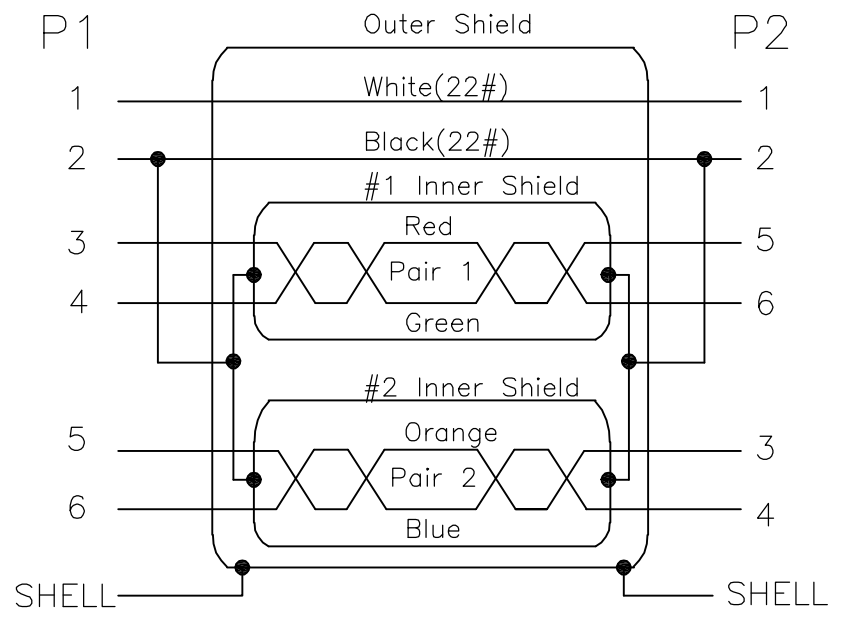
LOC: GP DIST: 00

REVISIONS		DATE	DWN	APVD
P	LTR	DESCRIPTION		
B		REVISED PER ECO-05-006188	TW	JH



SCALE 3 : 1

WIRING CHART



NOTE:  
1. ASSY IDENTIFICATION LABEL TO BE LOCATED AS SHOWN, LABEL TO READ:

Tyco/DGN  
 PART NO.  
 DATE CODE  
 COUNTRY OF ORIGIN

- DATE CODE TO BE FOUR DIGITS & APPEAR AS YEAR/WEEK (EXAMPLE 9542)
- ASSEMBLY TO BE TESTED FOR CONTINUITY, OPENS AND SHORTS. HI-POT AT 300V FOR 10 MILLI-SECS
  - PRODUCT AND PROCESSING MUST MEET REQUIREMENTS OF TYCO ENVIRONMENTAL STANDARD 230-702 ("RoHS")

PART NO.	1324770-1	1324770-2	1324770-3	1324770-4	1324770-5	1324770-6
LENGTH(A)	300 <sup>+0</sup> <sub>-50</sub>	500 <sup>+0</sup> <sub>-50</sub>	700 <sup>+0</sup> <sub>-50</sub>	1000 <sup>+0</sup> <sub>-50</sub>	2000 <sup>+0</sup> <sub>-50</sub>	4500 <sup>+0</sup> <sub>-75</sub>
LENGTH(B)	127.0±12.0	228.6±12.0	228.6±12.0	228.6±12.0	457.2±12.0	457.2±12.0

AR	AR	AR	AR	AR	AR	MR	Adhesive Heat Shrink Tubing, Black,OD:4.7mm,	8
AR	AR	AR	AR	AR	AR	MR	Copper Foil	7
AR	AR	AR	AR	AR	AR	MR	Heat Shrink Tubing, ø7.0mm, Black.	6
AR	AR	AR	AR	AR	AR	MR	Heat Shrink Tubing, ø1.5mm, Black.	5
1	1	1	1	1	1	EA	Label	4
AR	AR	AR	AR	AR	AR	KG	Outer Molded PVC, Color: Cool Gray 3C	3
AR	AR	AR	AR	AR	AR	MR	UL20379, (30AWG*1TW/PR+Al.Mylar+Braid)*2	2
							+22AWG*2C+Polyester+Al/Mylar+Braid, Color: Cool Gray 3C, Impedance: 110 Ohm(HANNSTAR)	
2	2	2	2	2	2	EA	IEEE 1394 6PIN Male Insulator: White, VENDER: ACON.	1
-6	-5	-4	-3	-2	-1	U/M	DESCRIPTION	ITEM

THIS DRAWING IS A CONTROLLED DOCUMENT.

DWN: Bovey Liu 28SEP01		Tyco Electronics Corporation	
CHK: F. McCORKEL 02OCT01		Harrisburg, Pa 17105-3608	
APVD: F. McCORKEL 02OCT01	NAME:	CABLE ASSY, PLUG, 6 POS, 1394-1995	
PRODUCT SPEC: -	SIZE:	CAGE CODE:	RESTRICTED TO: -
APPLICATION SPEC: -	A3	00779	
MATERIAL: -	WEIGHT: -	DRAWING NO:	
		C=1324770	
CUSTOMER DRAWING		SCALE: N.T.S	SHEET 1 OF 1
		REV: B	