

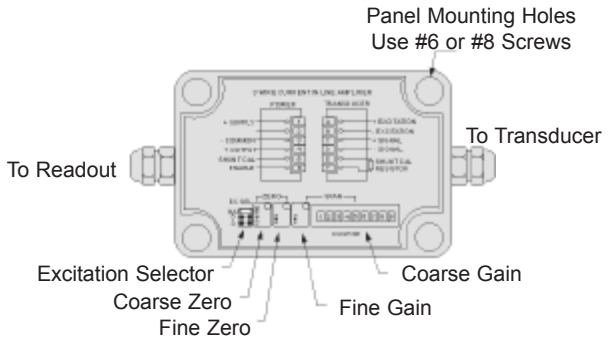
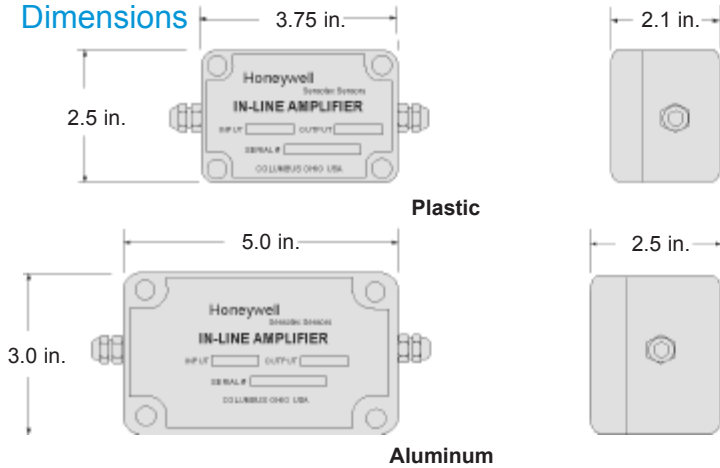
# Model U3W Bridge Based Sensor In-Line Amplifier

Order Code BE125

- Strain Gage Sensor Amplifier
- 18-32 VDC Supply Voltage
- NEMA 4 Housing
- Selectable Excitation Voltages
- 4-20 mA Analog Output



## Dimensions



## General

Number of Channels.....1  
 Case Material.....Plastic or Painted Aluminum  
 Mounting.....Use #6 or #8 Screws

## Environmental

Temperature, Operating.....5° to 122° F  
 Sealing.....IP-66 or NEMA-4

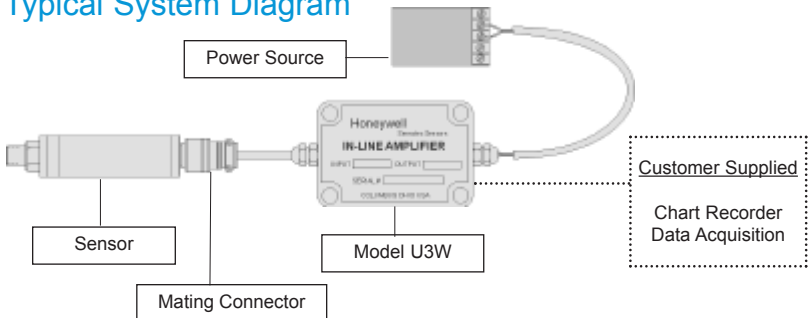
## Transducer Interface

Transducer Type.....Bridge based sensor  
 Transducer Excitation.....3 or 5 VDC @ 70 mA

## Amplifier Characteristics

Supply Voltage.....18-32 VDC  
 Current Draw.....70 mA  
 Frequency Response (-3db).....DC to 5,000 Hz  
 Zero Adjustment Range  
     Coarse.....+/- 70%  
     Fine.....+/- 25%  
 Span Adjustment Range.....0.5 - 6.6 mV/V +/- 25% fine adjustment  
 Linearity.....0.02% of Full Scale  
 Shunt Calibration.....Solid state relay on board  
 Signal Output.....4-20 mA (3 wire)  
 Signal to Noise Ratio.....65 db  
 DC Power Supply Rejection Ratio.....> 110 db

## Typical System Diagram



## Options

2 Pole Active Filter	Built to Order	Built from Scratch
Filter Setting	3 Hz	50 Hz
	5 Hz	100 Hz
	10 Hz	300 Hz
	20 Hz	500 Hz
	30 Hz	1,000 Hz
		User Specified

## How to Order

The order code consists of the product model and the available filter setting.

Sample Code **BE125** **30Hz**  
 Model Code Filter Setting

-Not RoHS Compliant