

Receptacle Housings

**Technical Features**

**No. of Positions:**

3 Positions  
(Positive Mate Locking)

**Housing Material:**

PBT GF20

**Wire Size Range:**

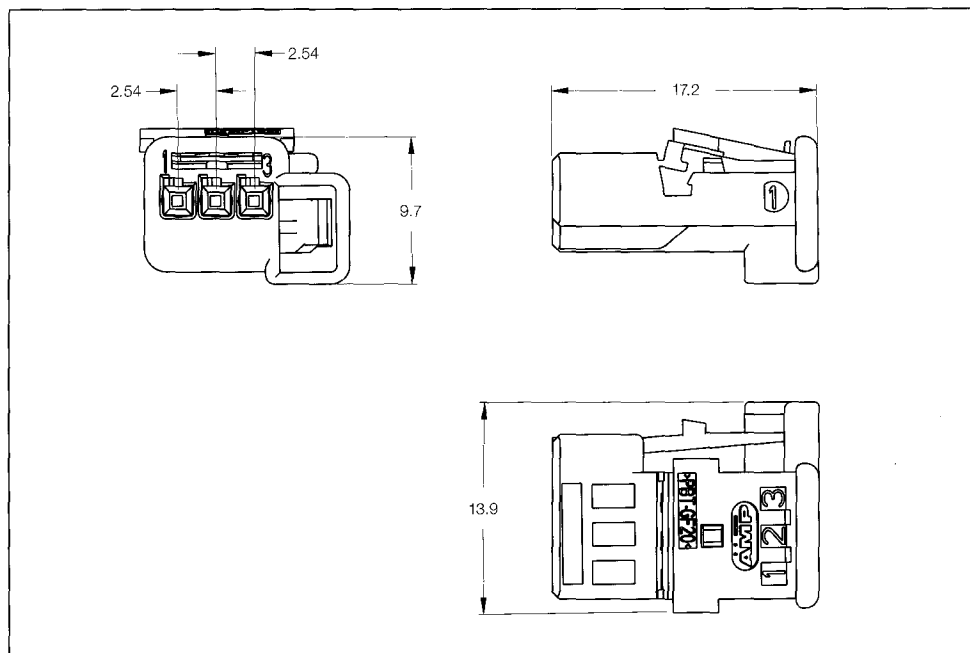
0.35–0.75 mm<sup>2</sup>

**Product Specification:**

108-15236

**Application Specification:**

411-15526



**3 Position Receptacle Housings**

No. of Pos.	Keying Options	Housing Color	Part Numbers							
			Receptacle Housing	Cover	Locking Device	Cover and Lever	Retainer Housing	Mating Tab Housing	Mating PCB Header Right-Angle	Mating PCB Header Vertical
3	-	Black	953697-1							
		White	953697-2							
		Blue	953697-3							
		Yellow	953697-4					953698		
		Grey	953697-5							
		Brown	953697-6							