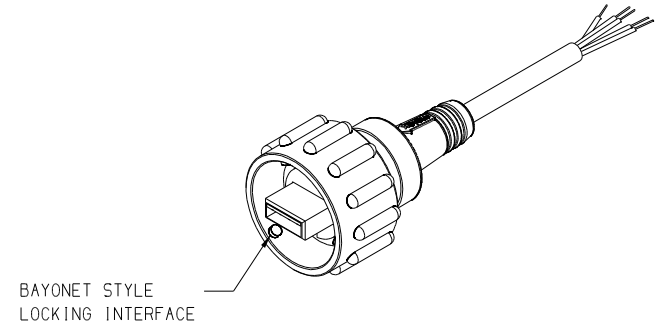
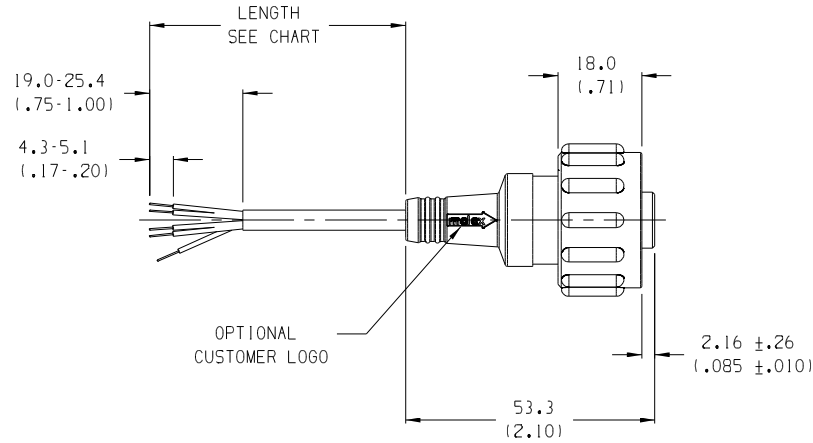


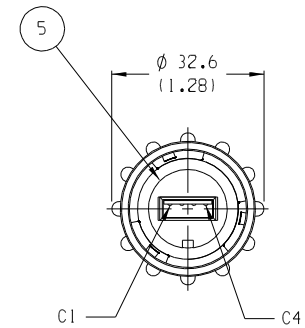
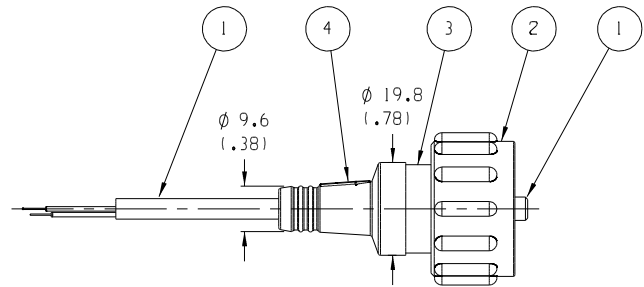
PART NO.	LENGTH
847271002	1.5M (4' 11.06")
847271001	2.0M (6' 6.74")
847271003	3.0M (9' 10.10")
847271004	5.0M (16' 4.85")
847271005	0.15M (0' 5.91")



RED	1
WHT	2
GRN	3
BLK	4
DRAIN	5 SHIELD

PI

WIRING DIAGRAM



NOTES:

1. MATERIAL: SEE TABLE
2. FINISHES: SEE TABLE
3. PRODUCT SPECIFICATION: SEE SPECIFICATION
4. PACKAGING: SEALED POLY BAG
5. MATES WITH: USB TYPE-A RECEPTACLES
6. FORMERLY DRAWING #SK0900-SD

ITEM	QTY.	DESCRIPTION	MATERIAL	FINISH
5	1	GASKET SEAL	NITRILE	BLACK
4	1	OVER MOLDING	PVC	BLACK
3	1	HOLDER	POLYESTER	BLACK
2	1	COUPLING RING	POLYESTER	BLACK
1	1	USB TYPE-A PLUG SHIELDED PIGTAIL	STEEL/PLASTIC	

04-25-05
ECN #4102
DRAWN: S. GILBERT
CHK'G:
APPR:
DESCRIPTION
MAJOR
CRITICAL
SPC
REV

QUALITY SYMBOLS

GENERAL TOLERANCES: (UNLESS SPECIFIED)

	mm	INCH
4 PLACES	±.0015	
3 PLACES	±.038	±.005
2 PLACES	±.13	±.01
1 PLACE	±.3	

ANGULAR: ±2°

DRAFT WHERE APPLICABLE MUST REMAIN WITHIN DIMENSIONS

SCALE: FULL

DESIGN UNITS: mm INCH

THIRD ANGLE PROJECTION

DRAWN BY & DATE: S. GILBERT 06-30-04

CHECKED BY & DATE: G. ROBERTSON 10-05-04

APPROVED BY & DATE: AMP 10-05-04

CAD FILENAME: SD-84727-001

PROJECT NO. PDR #04-069

DIMENSIONS: mm INCH mm ONLY

TITLE: PLUG, USB TYPE-A, SHIELDED, PIGTAIL CIC

MOLEX INCORPORATED

MATERIAL NO.: SEE CHART

DRAWING NO.: SD-84727-001

SHEET NO.: 1 OF 1

THIS DRAWING CONTAINS INFORMATION THAT IS PROPRIETARY TO MOLEX INCORPORATED AND SHOULD NOT BE USED WITHOUT WRITTEN PERMISSION.

SIZE: B

PROJECT NO.	PDR #04-069	SHT	REV

DIMENSIONS:	mm	INCH	mm ONLY
	<input checked="" type="checkbox"/>	<input type="checkbox"/>	<input type="checkbox"/>

REVISION	DATE	BY	DESCRIPTION